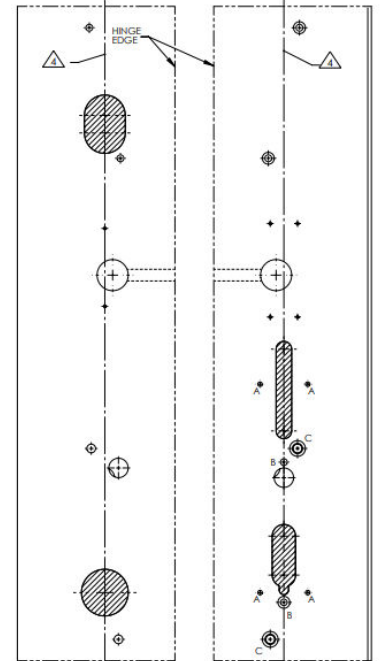
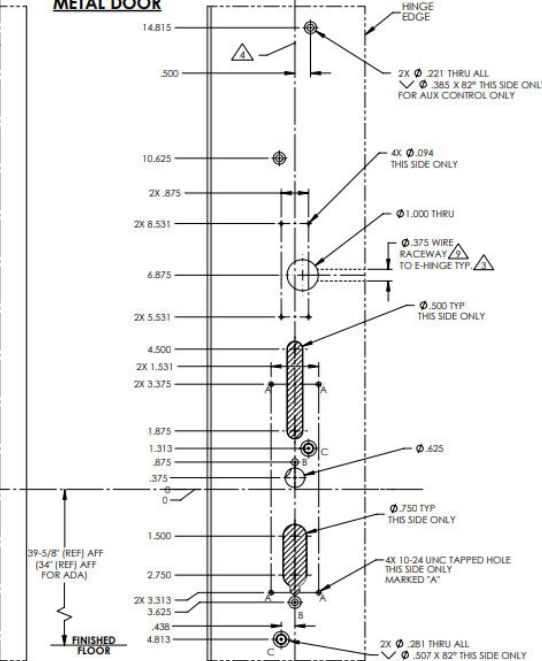
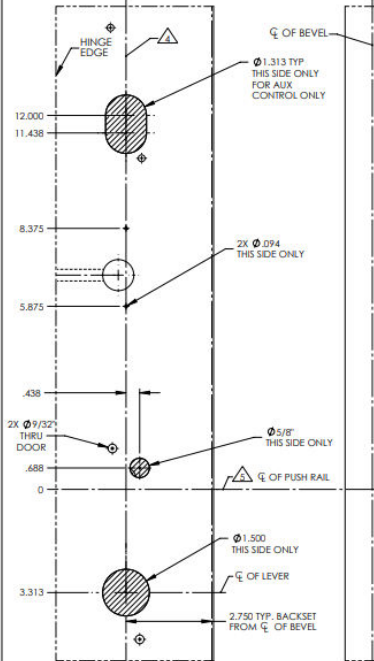


METAL DOOR



L.H.R.B. OUTSIDE

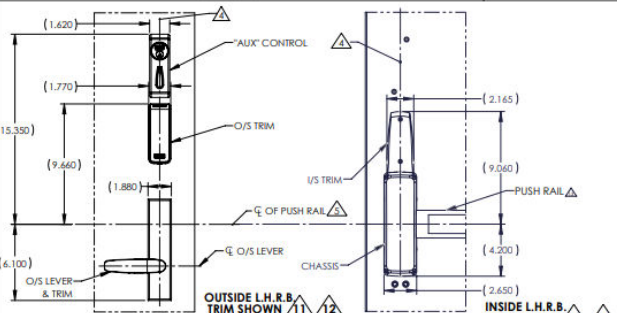
L.H.R.B. BEVEL SIDE

L.H.R.B. INSIDE

R.H.R.B. OUTSIDE

R.H.R.B. INSIDE

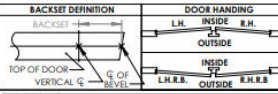
NOTES:
 1. DRAWING IS NOT TO SCALE. REFERENCE STRIKE TEMPLATE FOR DETAILS TO PREPARE FRAME.
 2. FOR ELECTROLYNX APPLICATIONS, REFER TO MCKINNEY TRANSFER DEVICE CATALOG.
 3. VERTICAL CENTERLINE IS REFERENCED FROM THE CENTERLINE OF THE BEVEL (INDUSTRY STANDARD BEVEL IS 1/8 INCH IN 2 INCHES). CONSULT THE AUTHORITY HAVING JURISDICTION (AHJ) TO VERIFY THE RECOMMENDED MOUNTING HEIGHT ABOVE THE FINISHED FLOOR (AFF).
 4. LIMITATIONS IN THE DOOR CONSTRUCTION PROCESS MAY REQUIRE SOME HOLES TO BE FIELD-LOCATED USING THE PHYSICAL PART AS A TEMPLATE. STANDARD TOLERANCE OF ±.015 APPLIES TO ALL DOOR PREPARATION REQUIREMENTS, UNLESS OTHERWISE SPECIFIED.
 5. DOOR REINFORCEMENT IS RECOMMENDED TO IMPROVE (SURFACE MOUNTED) FASTENER HOLDING POWER AND CRUSH RESISTANCE (WHEN THRU-BOLTING IS EMPLOYED). CONSTRUCTION TECHNIQUES SHOULD REFLECT INDUSTRY BEST PRACTICES (I.E. WDMA, SDI) AND AUTHORIZED METHODS WHERE LABEL SERVICE (I.E. UL, W-H) IS IN EFFECT.
 6. WIRE RACEWAY AREAS SHALL BE FREE OF OBSTRUCTIONS & SHARP EDGES TO PROTECT WIRES FROM CUTS & ABRASIONS.
 7. CAREFULLY NOTE WHICH FEATURES ARE OPTIONAL. (WHETHER THE FEATURE APPLIES TO BOTH SIDES OF THE DOOR AND/OR IF A DEPTH APPLIES.)
 8. MAXIMUM PRODUCT DIMENSIONS ARE SHOWN FOR THE PURPOSE OF VERIFYING FITMENT WITH DOOR FRAME STOPS, DOOR SITE SIDE & LIGHT/COVER KITS. IF OPTIONAL LEVERS OR ROBES ARE USED, REFERENCE THE RELATED PRODUCT DIMENSIONS TO VERIFY THE FITMENT REQUIREMENTS.
 9. SEE TEMPLATE MEDT4 (METAL DOORS) & MEDT33 (WOOD DOORS) FOR EXIT DEVICE & ROD LAUNCH PREP.
 10. CONCEALED DOOR POSITION SWITCH MODEL 3287 IS INCLUDED WITH THIS PRODUCT. SEE ARGENT SWITCH 474488. USE AND INSTALLATION LOCATION TO BE SPECIFIED BY OTHERS.



OUTSIDE L.H.R.B. TRIM SHOWN

INSIDE L.H.R.B. TRIM SHOWN

AUTHORIZED OPTIONS
 SN200, SN210



ASSA ABLBY
 (Swing Solutions)
 DOOR MANUFACTURERS TEMPLATE:
 SN SERIES TRIM
 METAL DOOR
 CVR EXIT DEVICE

RELEASE DATE:
 04-19-2022

TEMPLATE NO.
 SHEET 1 OF 2
 MEDT34 4