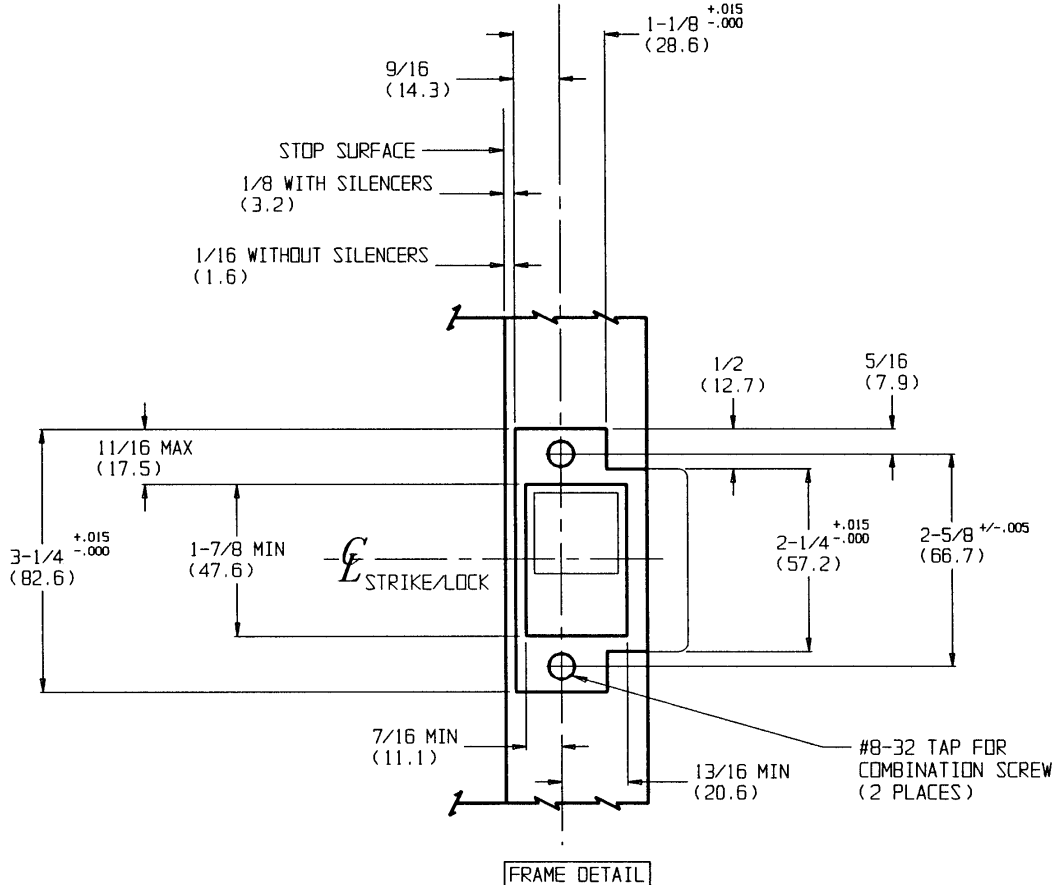
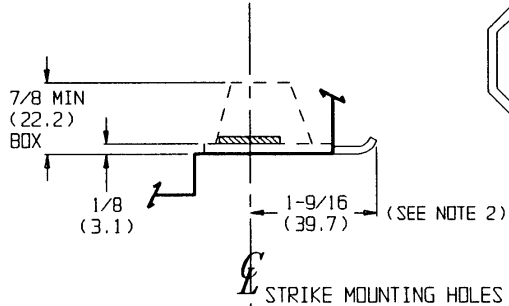
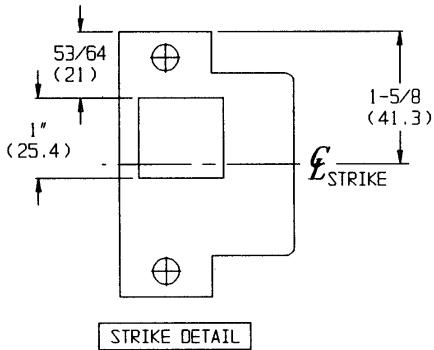


TEMPLATE CROSS REFERENCE	
DESCRIPTION	TEMPLATE
UT5200 SERIES UNIT LOCK	T30495

RH SHOWN
LH OPPOSITE



NOTES:

1. DIMENSIONS GIVEN IN INCHES AND (MM).
2. 1-9/16" STRIKE LIP SUITS FRAME FOR 1-3/4" THICK DOOR.

TOLERANCES	
INCHES	(MM)
.005	(.127)
.015	(.381)

RESPONSIBILITY
 Door and Frame Manufacturers are responsible for providing adequate construction or reinforcements for proper installation of hardware shown. All architectural builders hardware must be installed on properly reinforced doors and frames, regardless of the type, material, or method of construction.

SC SERIES

 83L96

 CURVED LIP BOX STRIKE

Corbin Russwin
 www.corbinrusswin.com

DO NOT SCALE DRAWING

SUPERSEDES	DR. K J	APP. <i>[Signature]</i>
DATE 5/24/93	TEMPLATE NUMBER	T 30497