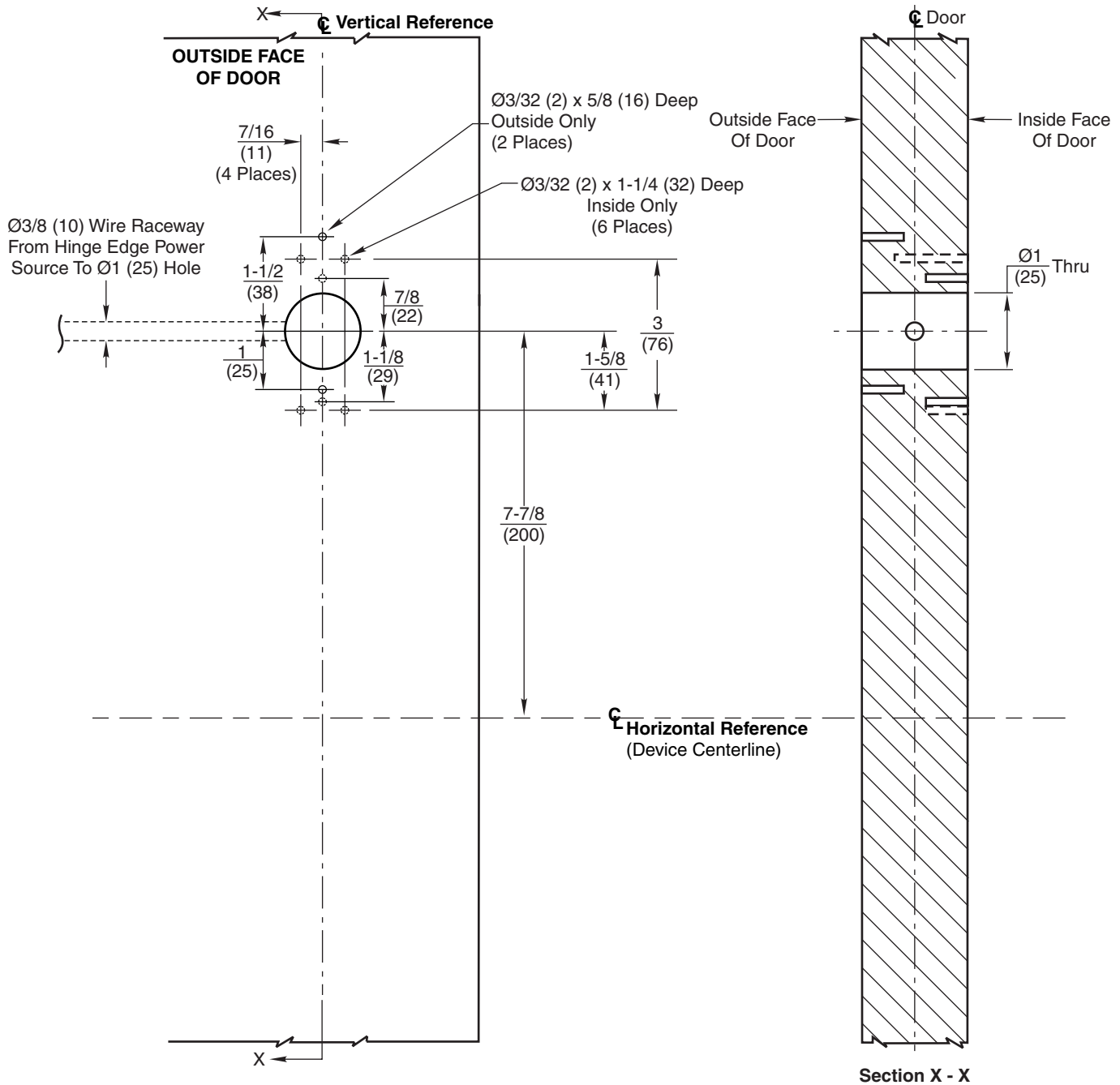


**Notes:**

1. This template is an addition to the device template. Locate centerlines using horizontal and vertical references on device template.
2. Dimensions are in inches (mm).
3. LHR door shown. (RHR opposite)
4. Provide adequate structural support to maintain door integrity during operation.
5. Concealed Door Position Switch p/n:708F989 is included with this product. Use and installation location to be specified by others. See SE LP10 (FM385) or SN200/210 (FM563) installation instructions for details.



**RESPONSIBILITY**  
 DOOR AND FRAME MANUFACTURERS ARE RESPONSIBLE FOR PROVIDING ADEQUATE CONSTRUCTION OR REINFORCEMENTS FOR PROPER INSTALLATION OF HARDWARE SHOWN. ALL ARCHITECTURAL BUILDERS HARDWARE MUST BE INSTALLED ON PROPERLY REINFORCED DOORS AND FRAMES, REGARDLESS OF TYPE, MATERIAL, OR METHOD OF CONSTRUCTION.

**SE LP10, SN200/210  
 for ED5000N Series MELR Exit Devices  
 Metal, Wood or Composite Door Prep**



**ASSA ABLOY**

www.corbinruswin.com

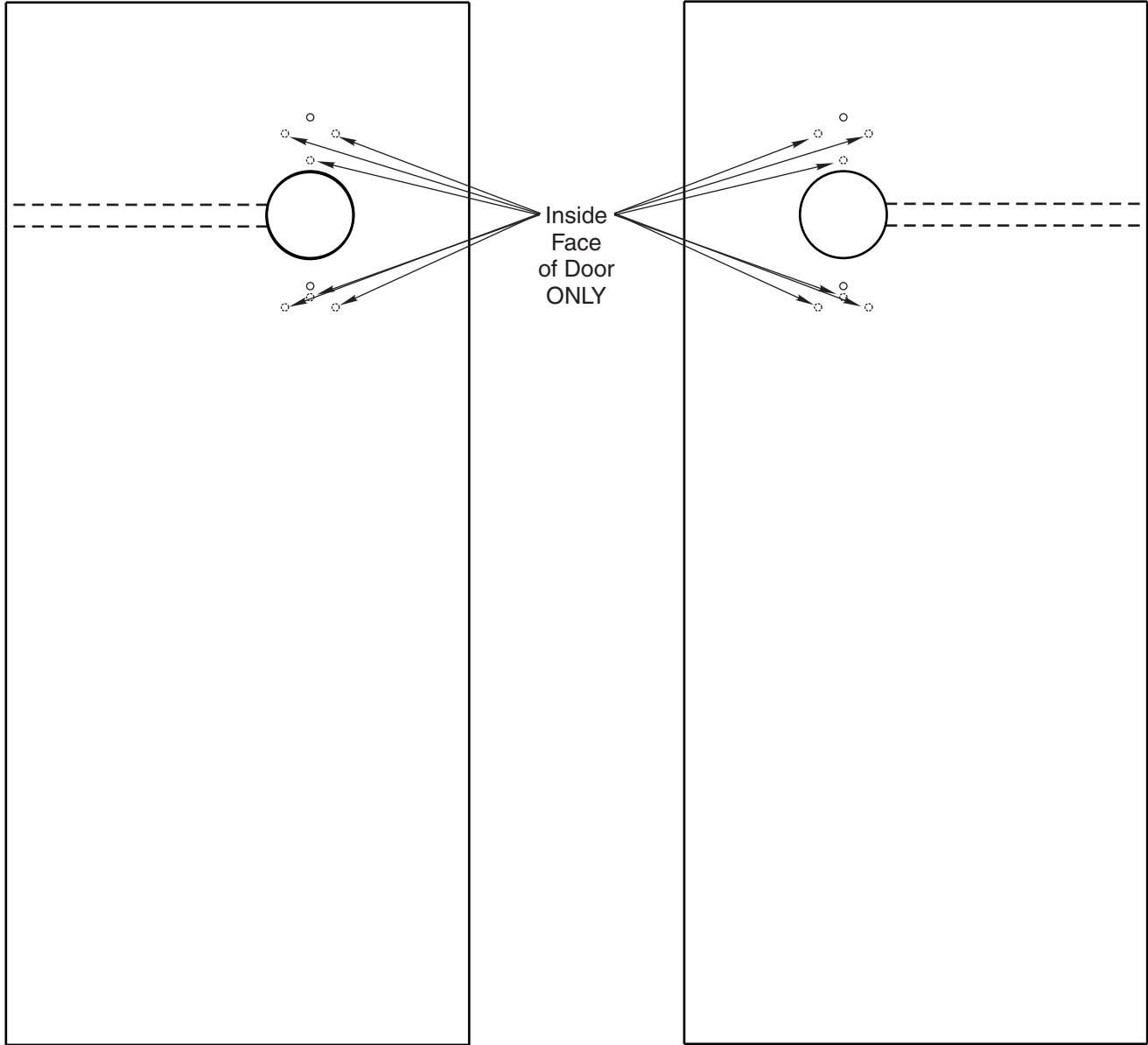
SUPERSEDES	DO NOT SCALE DRAWING	
TEMPLATE NUMBER	SHEET	DATE
<b>T31256</b>	<b>1 of 2</b>	<b>12/20</b>

Experience a safer and more open world

Copyright © 2020 ASSA ABLOY Access and Egress Hardware Group, Inc. All rights reserved. Reproduction in whole or in part without the express written permission of ASSA ABLOY Access and Egress Hardware Group, Inc. is prohibited.

# LHR Door

# RHR Door



### RESPONSIBILITY

DOOR AND FRAME MANUFACTURERS ARE RESPONSIBLE FOR PROVIDING ADEQUATE CONSTRUCTION OR REINFORCEMENTS FOR PROPER INSTALLATION OF HARDWARE SHOWN. ALL ARCHITECTURAL BUILDERS HARDWARE MUST BE INSTALLED ON PROPERLY REINFORCED DOORS AND FRAMES, REGARDLESS OF TYPE, MATERIAL, OR METHOD OF CONSTRUCTION.

**SE LP10, SN200/210  
for ED5000N Series MELR Exit Devices  
Metal, Wood or Composite Door Prep**



**ASSA ABLOY**

www.corbinruswin.com

SUPERSEDES	DO NOT SCALE DRAWING	
TEMPLATE NUMBER	SHEET	DATE
<b>T31256</b>	<b>2 of 2</b>	<b>12/20</b>

Experience a safer and more open world

Copyright © 2020 ASSA ABLOY Access and Egress Hardware Group, Inc. All rights reserved. Reproduction in whole or in part without the express written permission of ASSA ABLOY Access and Egress Hardware Group, Inc. is prohibited.