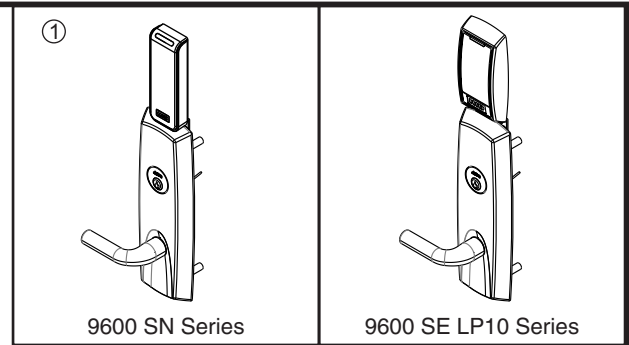
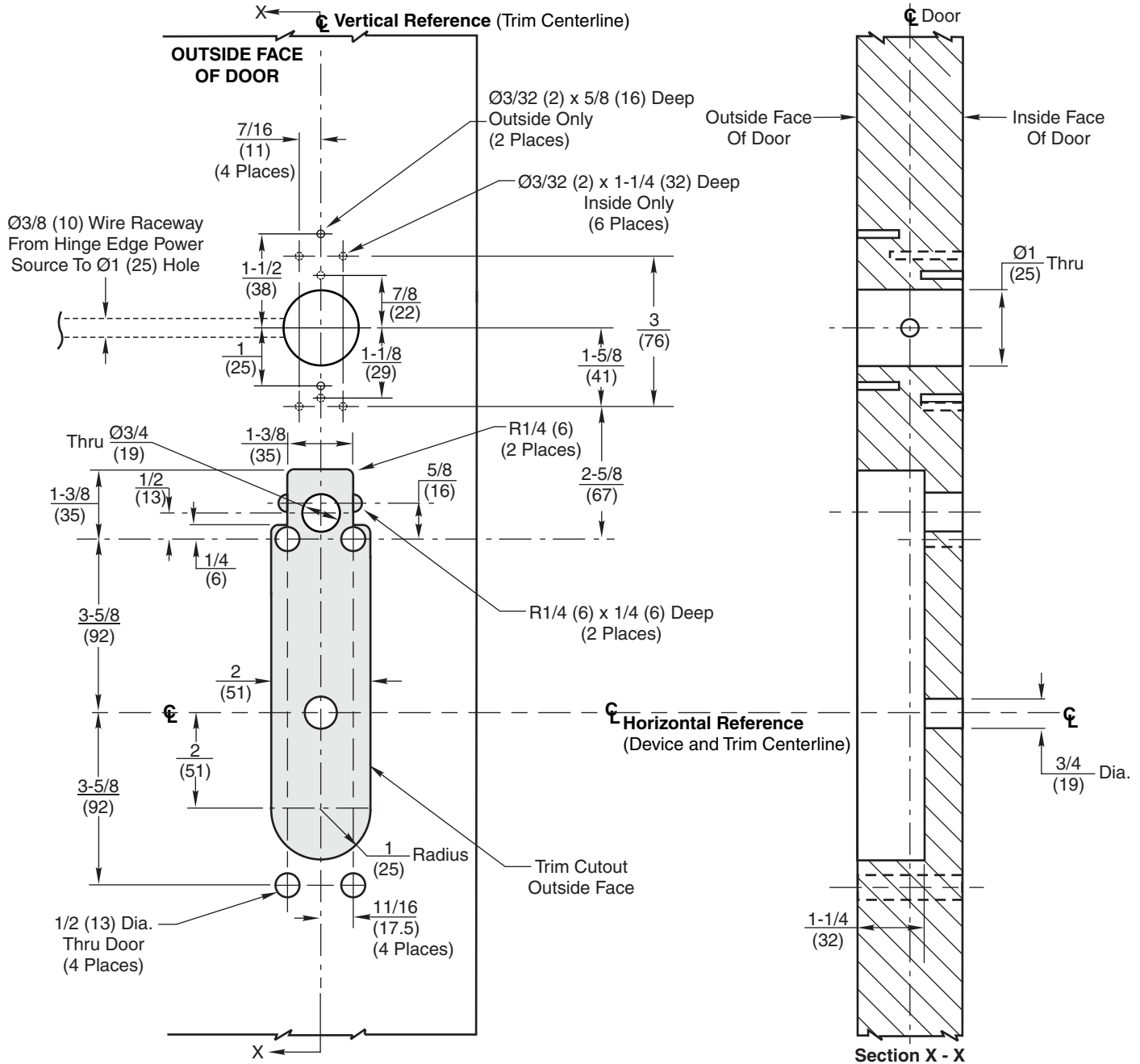


Notes:

1. This template is an addition to the device template. Locate centerlines using horizontal and vertical references on device template.
2. Dimensions are in inches (mm).
3. LHR door shown. (RHR opposite)
4. Provide adequate structural support to maintain door integrity during operation.
5. Prepare mounting holes when installing trim.
6. Dimensions given about a centerline are symmetrical.
7. Unspecified radius 1/8 maximum.
8. Concealed Door Position Switch p/n:708F989 is included with this product. Use and installation location to be specified by others. See SE LP10 (FM385) or SN200/210 (FM563) installation instructions for details. ①



Note: Lever design prefix does not affect door prep.



RESPONSIBILITY

DOOR AND FRAME MANUFACTURERS ARE RESPONSIBLE FOR PROVIDING ADEQUATE CONSTRUCTION OR REINFORCEMENTS FOR PROPER INSTALLATION OF HARDWARE SHOWN. ALL ARCHITECTURAL BUILDERS HARDWARE MUST BE INSTALLED ON PROPERLY REINFORCED DOORS AND FRAMES, REGARDLESS OF TYPE, MATERIAL, OR METHOD OF CONSTRUCTION.

**SE LP10, SN200/210
9600 Series Trim
for ED5200N/ED5800N Series Exit Devices
Wood or Composite Door Preparation**



www.corbinrusswin.com

SUPERSEDES	T31215	DO NOT SCALE DRAWING
TEMPLATE NUMBER	T31215-1	SHEET 1 of 2
		DATE 12/20

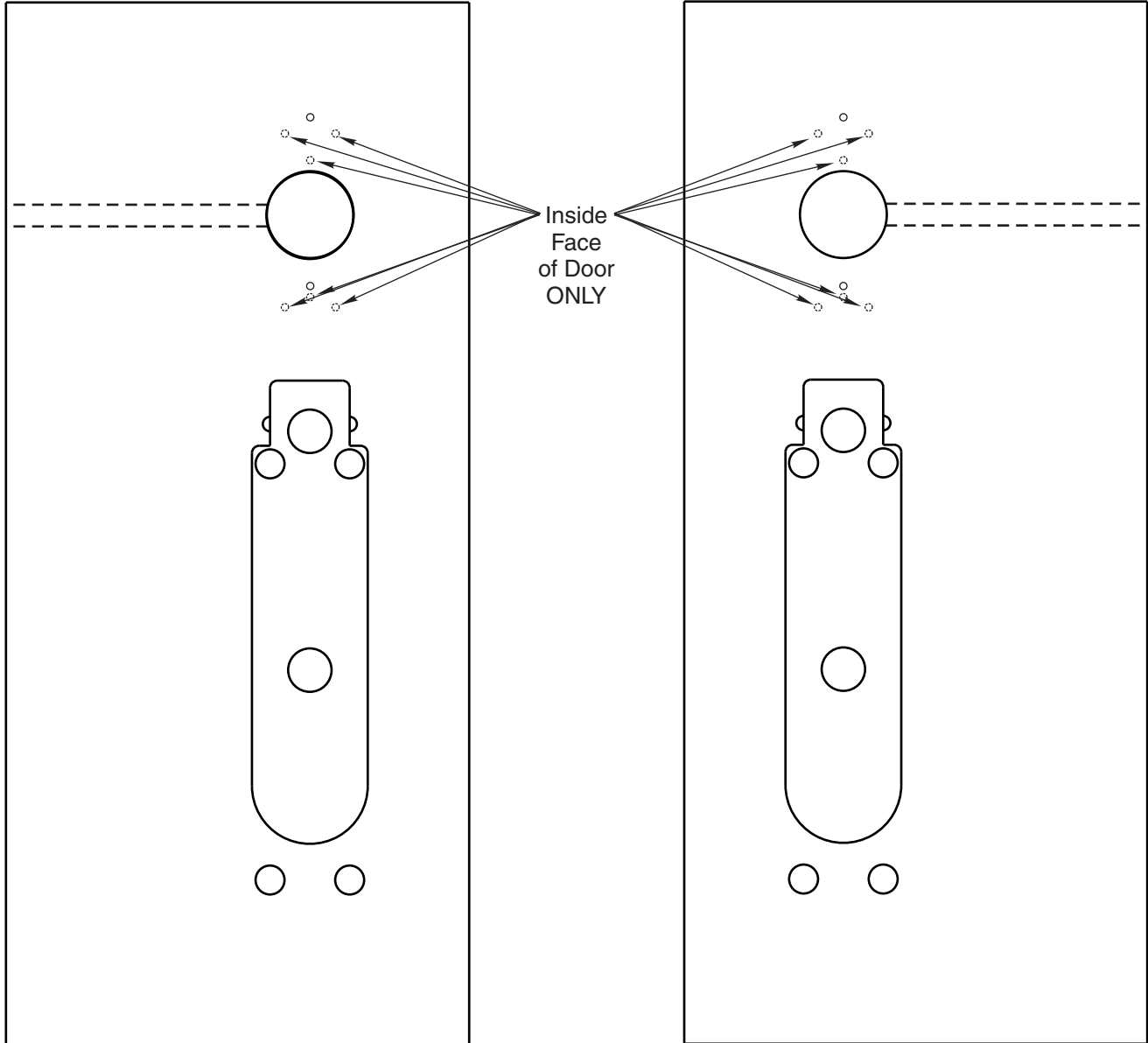
Experience a safer and more open world

Copyright © 2014, 2020 ASSA ABLOY Access and Egress Hardware Group, Inc. All rights reserved.

Reproduction in whole or in part without the express written permission of ASSA ABLOY Access and Egress Hardware Group, Inc. is prohibited.

LHR Door

RHR Door



RESPONSIBILITY

DOOR AND FRAME MANUFACTURERS ARE RESPONSIBLE FOR PROVIDING ADEQUATE CONSTRUCTION OR REINFORCEMENTS FOR PROPER INSTALLATION OF HARDWARE SHOWN. ALL ARCHITECTURAL BUILDERS HARDWARE MUST BE INSTALLED ON PROPERLY REINFORCED DOORS AND FRAMES, REGARDLESS OF TYPE, MATERIAL, OR METHOD OF CONSTRUCTION.

**SE LP10, SN200/210
9600 Series Trim
for ED5200N/ED5800N Series Exit Devices
Wood or Composite Door Preparation**

**Corbin
Russwin**

ASSA ABLOY

www.corbinrusswin.com

SUPERSEDES	T31215	DO NOT SCALE DRAWING
TEMPLATE NUMBER	T31215-1	SHEET 2 of 2 DATE 12/20