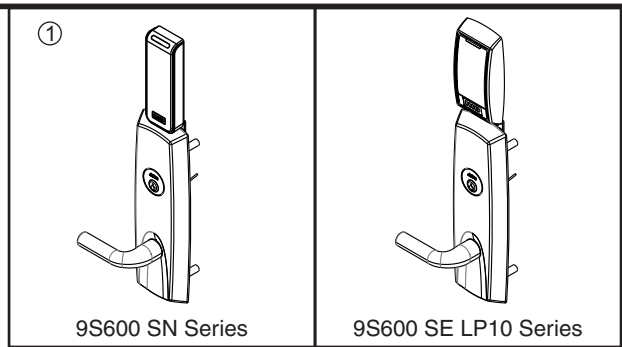
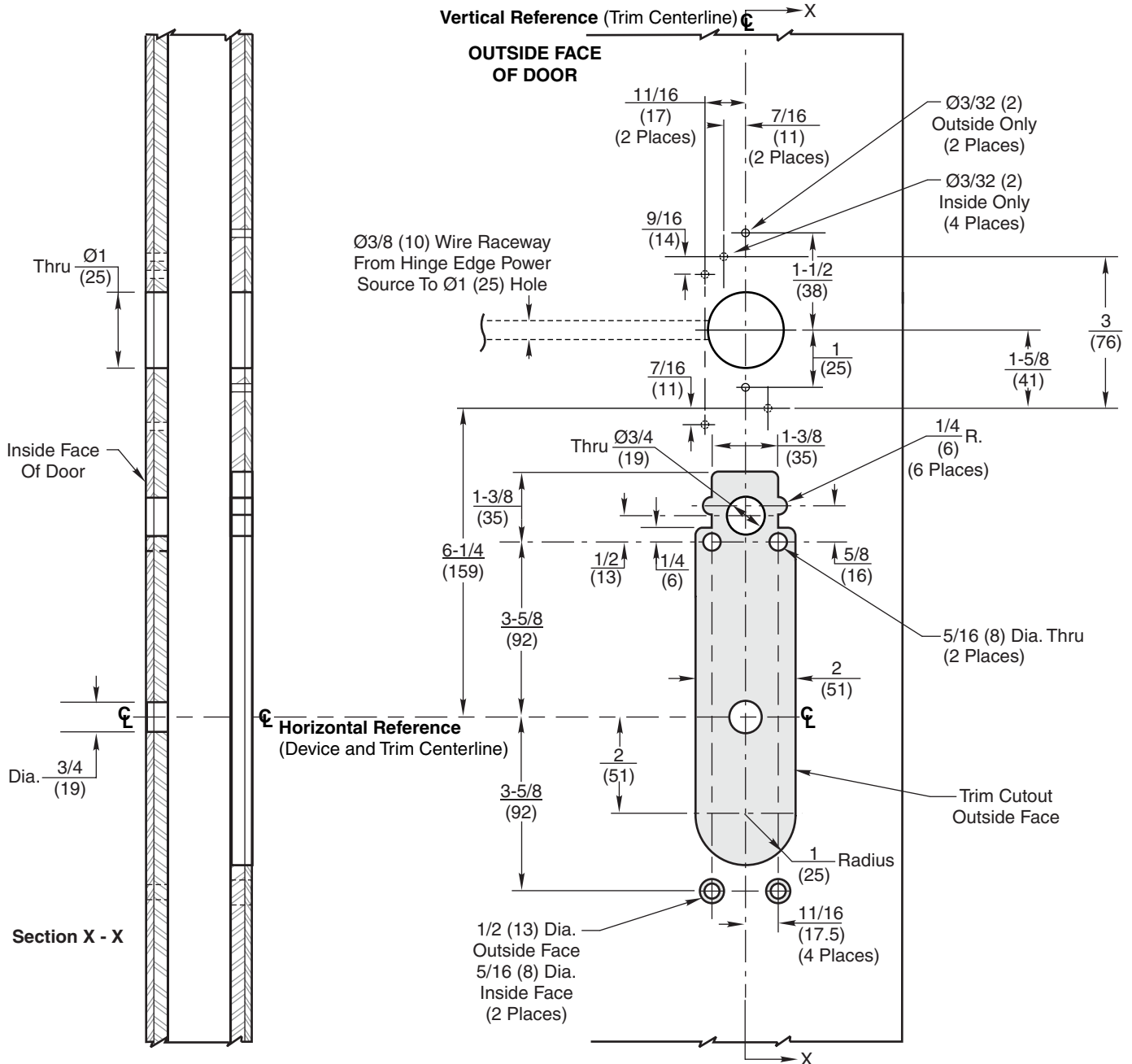


**Notes:**

1. This template is an addition to the device template. Locate centerlines using horizontal and vertical references on device template.
2. Dimensions are in inches (mm).
3. LHR door shown. (RHR opposite)
4. For door reinforcement see template T30800.
5. Prepare mounting holes when installing trim.
6. Provide adequate internal support to prevent door deformation after trim is bolted to the device.
7. Dimensions given about a centerline are symmetrical.
8. Unspecified radius 1/8 maximum.
9. Concealed Door Position Switch p/n:708F989 is included with this product. Use and installation location to be specified by others. See SE LP10 (FM385) or SN200/210 (FM563) installation instructions for details.



Note: Lever design prefix does not affect door prep.



**RESPONSIBILITY**

DOOR AND FRAME MANUFACTURERS ARE RESPONSIBLE FOR PROVIDING ADEQUATE CONSTRUCTION OR REINFORCEMENTS FOR PROPER INSTALLATION OF HARDWARE SHOWN. ALL ARCHITECTURAL BUILDERS HARDWARE MUST BE INSTALLED ON PROPERLY REINFORCED DOORS AND FRAMES, REGARDLESS OF TYPE, MATERIAL, OR METHOD OF CONSTRUCTION.

**SE LP10, SN200/210  
9S600 Series Trim  
for ED5400N Series Exit Devices  
Metal Door Preparation**



www.corbinrusswin.com

SUPERSEDES	T31219	DO NOT SCALE DRAWING
TEMPLATE NUMBER	T31219-1	SHEET 1 of 2 DATE 12/20

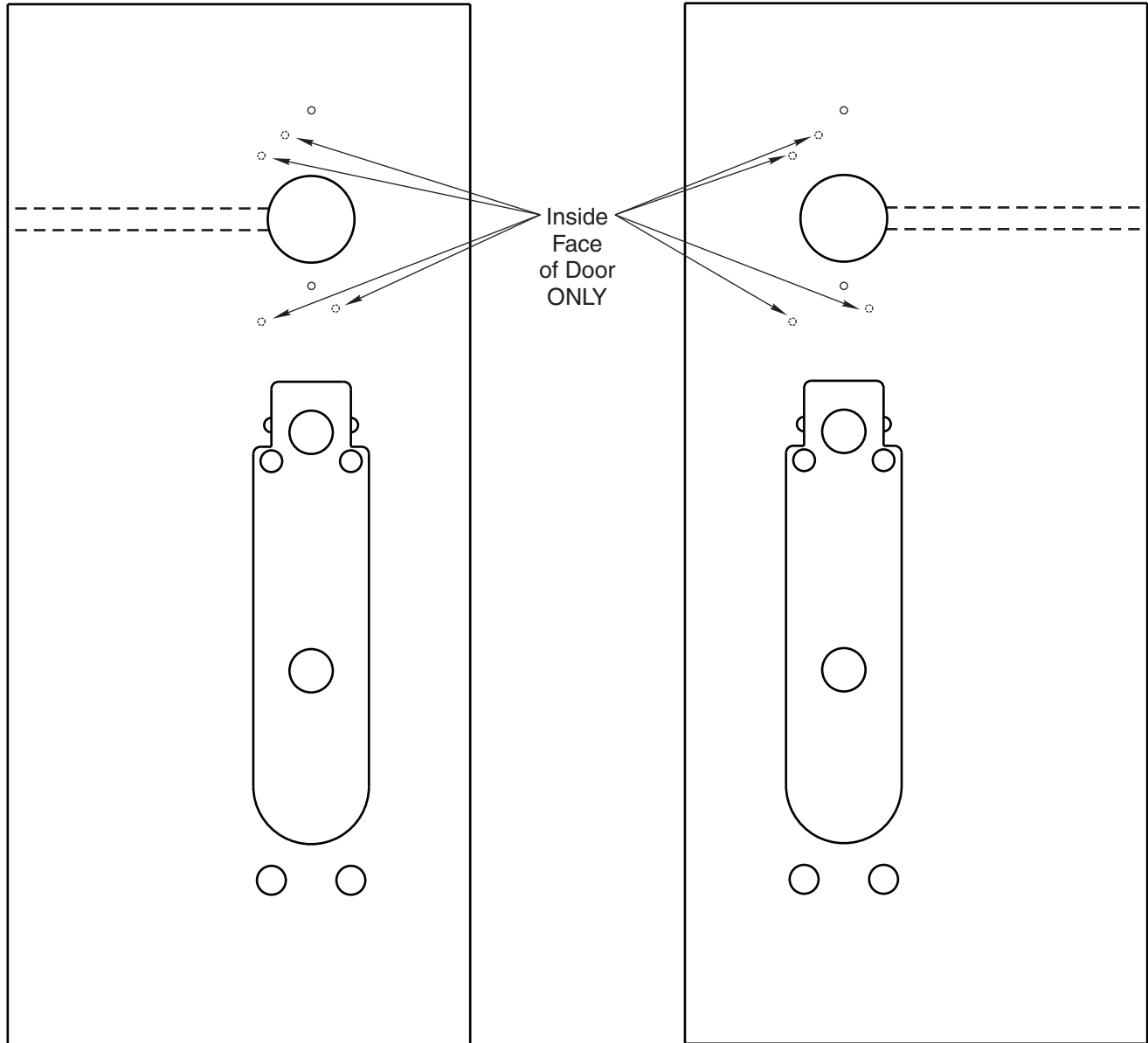
Experience a safer and more open world

Copyright © 2014, 2020 ASSA ABLOY Access and Egress Hardware Group, Inc. All rights reserved.

Reproduction in whole or in part without the express written permission of ASSA ABLOY Access and Egress Hardware Group, Inc. is prohibited.

# LHR Door

# RHR Door



### RESPONSIBILITY

DOOR AND FRAME MANUFACTURERS ARE RESPONSIBLE FOR PROVIDING ADEQUATE CONSTRUCTION OR REINFORCEMENTS FOR PROPER INSTALLATION OF HARDWARE SHOWN. ALL ARCHITECTURAL BUILDERS HARDWARE MUST BE INSTALLED ON PROPERLY REINFORCED DOORS AND FRAMES, REGARDLESS OF TYPE, MATERIAL, OR METHOD OF CONSTRUCTION.

**SE LP10, SN200/210  
9S600 Series Trim  
for ED5400N Series Exit Devices  
Metal Door Preparation**



**ASSA ABLOY**

www.corbinruswin.com

SUPERSEDES	T31219	DO NOT SCALE DRAWING
TEMPLATE NUMBER	T31219-1	SHEET
	2 of 2	DATE
		12/20

Experience a safer and more open world

Copyright © 2014, 2020 ASSA ABLOY Access and Egress Hardware Group, Inc. All rights reserved.

Reproduction in whole or in part without the express written permission of ASSA ABLOY Access and Egress Hardware Group, Inc. is prohibited.