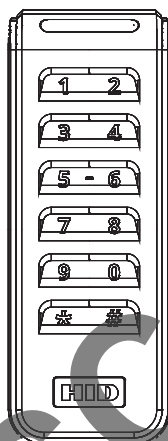
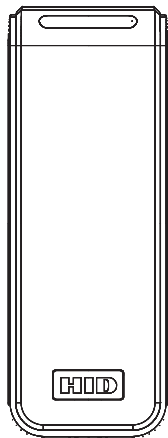


# Installation Instructions



Series  
SN200 Wiegand  
SN210 OSDP  
CL3300 Series  
Cylindrical Locks

## Attention Installer:

Please read these instructions carefully to prevent missing important steps.

Improper installations may result in damage to the lock and void the factory warranty.

The accuracy of the door preparation is critical for proper functioning and security of this lock.

Misalignment can cause premature wear and a lessening of security.

For Technical Assistance call Corbin Russwin at 1-800-810-WIRE (9473)

*HID and iCLASS are registered trademarks of HID Global Corporation.*

Copyright © 2020-2023 ASSA ABLOY Access and Egress Hardware Group, Inc.  
All rights reserved. Reproduction in whole or in part without the express written  
permission of ASSA ABLOY Access and Egress Hardware Group, Inc.  
is prohibited.

FM561 01/23

Experience a safer  
and more open world

**Table of Contents**

**1) Regulatory Compliance ..... 3**  
**2) Warning ..... 3**  
**3) Specifications ..... 4**  
**4) Product Illustrations ..... 5**  
**5) Wiring Diagrams ..... 7**  
**6) Installation Instructions ..... 11**  
**7) Operational Check ..... 21**

## 1) Regulatory Compliance

Changes or modifications to this unit not expressly approved by the party responsible for compliance could void the user's authority to operate the equipment.

### FCC:

This equipment has been tested and found to comply with the limits for a Class B digital device, pursuant to Part 15 of the FCC Rules. These limits are designed to provide reasonable protection against harmful interference in a residential installation. This equipment generates, uses, and can radiate radio frequency energy and, if not installed and used in accordance with the instructions, may cause harmful interference to radio communications. However, there is no guarantee that interference will not occur in a particular installation. If this equipment does cause harmful interference to radio or television reception, which can be determined by turning the equipment off and on, the user is encouraged to try to correct the interference by one or more of the following measures:

- Reorient or relocate the receiving antenna.
- Increase the separation between the equipment and receiver.
- Connect the equipment into an outlet on a circuit different from that to which the receiver is connected.
- Consult the dealer or an experienced radio/TV technician for help.

### Industry Canada:

This Class B digital apparatus meets all requirements of the Canadian Interference Causing Equipment Regulations. Operation is subject to the following two conditions: (1) this device may not cause harmful interference, and (2) this device must accept any interference received, including interference that may cause undesired operation.

Cet appareillage numérique de la classe B répond à toutes les exigences de l'interférence canadienne causant des règlements d'équipement. L'opération est sujette aux deux conditions suivantes: (1) ce dispositif peut ne pas causer l'interférence nocive, et (2) ce dispositif doit accepter n'importe quelle interférence reçue, y compris l'interférence qui peut causer l'opération peu désirée.

This equipment complies with FCC radiation exposure limits set forth for an uncontrolled environment. This equipment should be installed and operated with minimum distance 20cm between the radiator and your body. This transmitter must not be co-located or operating in conjunction with any other antenna or transmitter.

Cet équipement est conforme aux limites d'exposition aux radiations de la FCC définies pour un environnement non contrôlé. Cet équipement doit être installé et utilisé à une distance minimale de 20 cm entre le radiateur et votre corps. Cet émetteur ne doit pas être co-localisé ou fonctionner en conjonction avec une autre antenne ou un autre émetteur.

Under Industry Canada regulations, this radio transmitter may only operate using an antenna of a type and maximum (or lesser) gain approved for the transmitter by Industry Canada. To reduce potential radio interference to other users, the antenna type and its gain should be so chosen that the equivalent isotropically radiated power (e.i.r.p.) is not more than that necessary for successful communication.

Conformément à la réglementation d'Industrie Canada, le présent émetteur radio peut fonctionner avec une antenne d'un type et d'un gain maximal (ou inférieur) approuvé pour l'émetteur par Industrie Canada. Dans le but de réduire les risques de brouillage radioélectrique à l'intention des autres utilisateurs, il faut choisir le type d'antenne et son gain de sorte que la puissance isotrope rayonnée équivalente (p.i.r.e.) ne dépasse pas l'intensité nécessaire à l'établissement d'une communication satisfaisante.

## 2) Warning



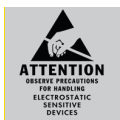
This product can expose you to lead which is known to the state of California to cause cancer and birth defects or other reproductive harm. For more information go to: [www.P65warnings.ca.gov](http://www.P65warnings.ca.gov).

Ce produit peut vous exposer au plomb qui, dans l'état de la Californie, est reconnu pour causer le cancer, des anomalies congénitales ou d'autres problèmes de reproduction.

Pour plus d'informations, visitez: [www.P65warnings.ca.gov](http://www.P65warnings.ca.gov).



Any retrofit or other field modification to a fire rated opening can potentially impact the fire rating of the opening, and Corbin Russwin makes no representations or warranties concerning what such impact may be in any specific situation. When retrofitting any portion of an existing fire rated opening, or specifying and installing a new fire-rated opening, please consult with a code specialist or local code official (Authority Having Jurisdiction) to ensure compliance with all applicable codes and ratings.



To avoid possible damage from electrostatic discharge (ESD), some basic precautions should be used when handling electronic components:

- Minimize build-up of static by touching and/or maintaining contact with unpainted metal surfaces such as door hinges, latches, and mounting plates especially when mounting electronic components such as readers and controllers onto the door.
- Leave components (reader and controller) protected in their respective anti-static bags until ready for installation
- Do not touch pins, leads or solder connections on the circuit boards

**\*WARNING:** The system shall not be installed in the fail-secure mode unless permitted by the local authority having jurisdiction and shall not interfere with the operation of Listed panic hardware.

### 3) Specifications

- UL Listed\* - UL 294 Indoor Use
- CUL Listed - S319: Class 1
- ANSI/BHMA A156.25 Listed Grade 1 Compliant
- \*UL294, S319, & BHMA A156.25 not applicable to SN200 with Non-UL294 Configuration option
- Wire from EAC Panel to door must be shielded with a drain terminated at EAC Panel controller

- UL 294 Access Control Ratings:

|                    |         |
|--------------------|---------|
| Destructive Attack | Level 1 |
| Line Security      | Level 1 |
| Endurance          | Level 4 |
| Standby Power      | Level 1 |

UL testing was conducted on product powered by UL Listed model 9001GR/AC injector; manufactured by Microsemi Corp.

### Electrical Specifications

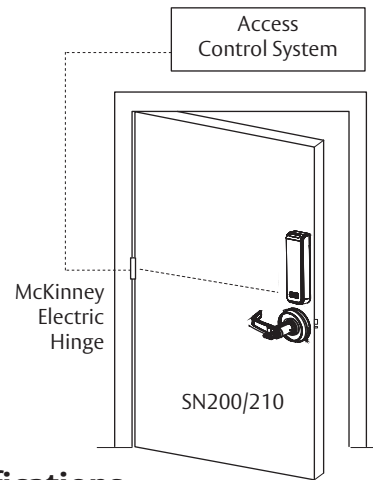
#### 12/24VDC System

|          | 12V     |       | 24V     |       |
|----------|---------|-------|---------|-------|
|          | Average | Peak  | Average | Peak  |
| Reader** | 75mA    | 250mA | n/a     | n/a   |
| Actuator | 500mA   | 500mA | 250mA   | 250mA |

\*\*Maximum AVG - RMS current draw during continuous card reads  
Not evaluated by UL.

Peak - highest instantaneous current draw during RF communication

The reader requires 12VDC for power, while the lock accepts either 12 or 24VDC.



### OSDP† and Wiegand Wire Specifications

| Total One-Way Length of Wire Run (ft) | Wire Gauge Chart 12VDC Load Current @ 12VDC |      |      |    |        |        |    |    |
|---------------------------------------|---|------|------|----|--------|--------|----|----|
|                                       | 1/4A  | 1/2A | 3/4A | 1A | 1-1/4A | 1-1/2A | 2A | 3A |
| 100                                   | 20  | 18   | 16   | 14 | 14     | 12     | 12 | 10 |
| 150                                   | 18  | 16   | 14   | 12 | 12     | 12     | 10 | —  |
| 200                                   | 16  | 14   | 12   | 12 | 10     | 10     | —  | —  |
| 250                                   | 16  | 14   | 12   | 10 | 10     | 10     | —  | —  |
| 300                                   | 16  | 12   | 12   | 10 | 10     | —      | —  | —  |
| 400                                   | 14  | 12   | 10   | —  | —      | —      | —  | —  |
| 500                                   | 14  | 10   | 10   | —  | —      | —      | —  | —  |
| 750                                   | 12  | 10   | —    | —  | —      | —      | —  | —  |
| 1,000                                 | 10  | —    | —    | —  | —      | —      | —  | —  |
| 1,500                                 | 10  | —    | —    | —  | —      | —      | —  | —  |

| Total One-Way Length of Wire Run (ft) | Wire Gauge Chart 24VDC Load Current @ 24VDC |      |      |    |        |        |    |    |
|---------------------------------------|---|------|------|----|--------|--------|----|----|
|                                       | 1/4A  | 1/2A | 3/4A | 1A | 1-1/4A | 1-1/2A | 2A | 3A |
| 100                                   | 24  | 20   | 18   | 18 | 16     | 16     | 14 | 12 |
| 150                                   | 22  | 18   | 16   | 16 | 14     | 14     | 12 | 10 |
| 200                                   | 20  | 18   | 16   | 14 | 14     | 12     | 12 | 10 |
| 250                                   | 18  | 16   | 14   | 14 | 12     | 12     | 12 | 10 |
| 300                                   | 18  | 16   | 14   | 12 | 12     | 12     | 10 | —  |
| 400                                   | 18  | 14   | 12   | 12 | 10     | 10     | —  | —  |
| 500                                   | 16  | 14   | 12   | 10 | 10     | —      | —  | —  |
| 750                                   | 14  | 12   | 10   | 10 | —      | —      | —  | —  |
| 1,000                                 | 14  | 10   | 10   | —  | —      | —      | —  | —  |
| 1,500                                 | 12  | 10   | —    | —  | —      | —      | —  | —  |

†Recommended wire specifications for OSDP: Four (4) conductor twisted pair overall shield such as UL approved, Belden 3107A or equivalent is recommended to remain fully TIA-485 compliant at maximum supported baud rates and cable distances. Belden 82842, Liberty Wire & Cable 24-29\_P485-WHT, West Penn Wire D254852, and CAT6 cable have been found to be suitable in typical applications and installations, including lower baud rates and cabling distances.

This product is not intended for outside wiring as covered by Article 800 in the National Electrical Code, NFPA 70.

Wiring methods shall be in accordance with the National Electrical Code (ANSI/NFPA70), CSA 22.1, Canadian Electrical Code (CEC), Part I, Safety Standard for Electrical Installations, local codes and the authorities having jurisdiction.

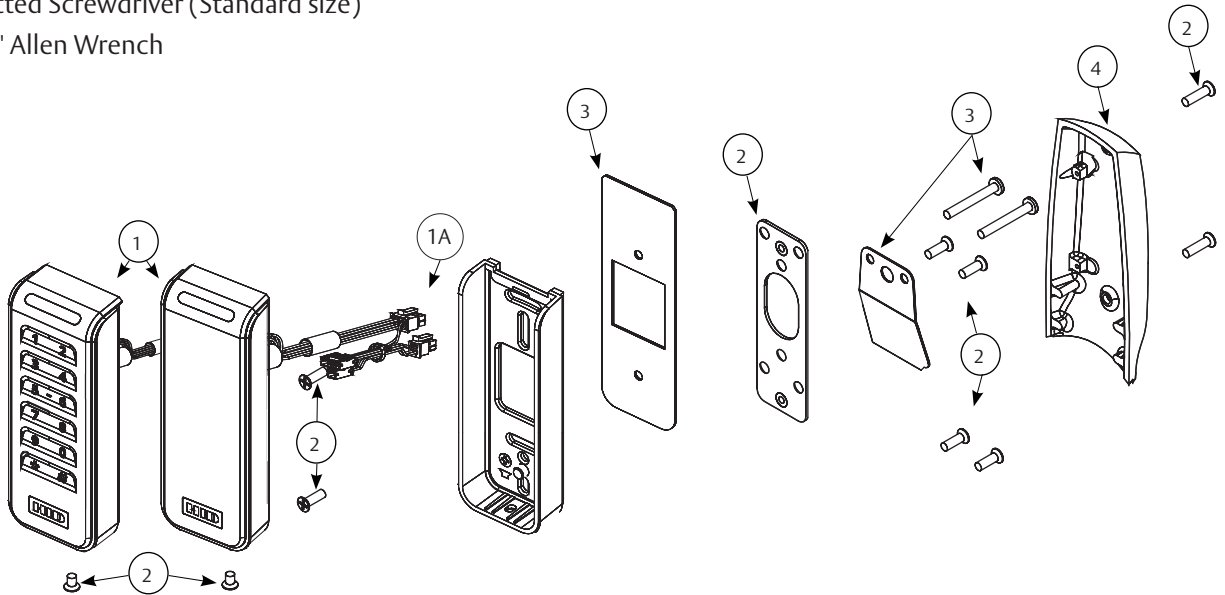
Both reader and actuator current must be taken into account when determining wire length and gauge. OSDP installations may be more limited due to fewer cable options.

For OSDP cable lengths greater than 200 ft (61 m) or EMF interference, install 120Ω +/- 2Ω resistor across RS-485 termination ends.

## 4) Product Illustrations

### Tools Required:

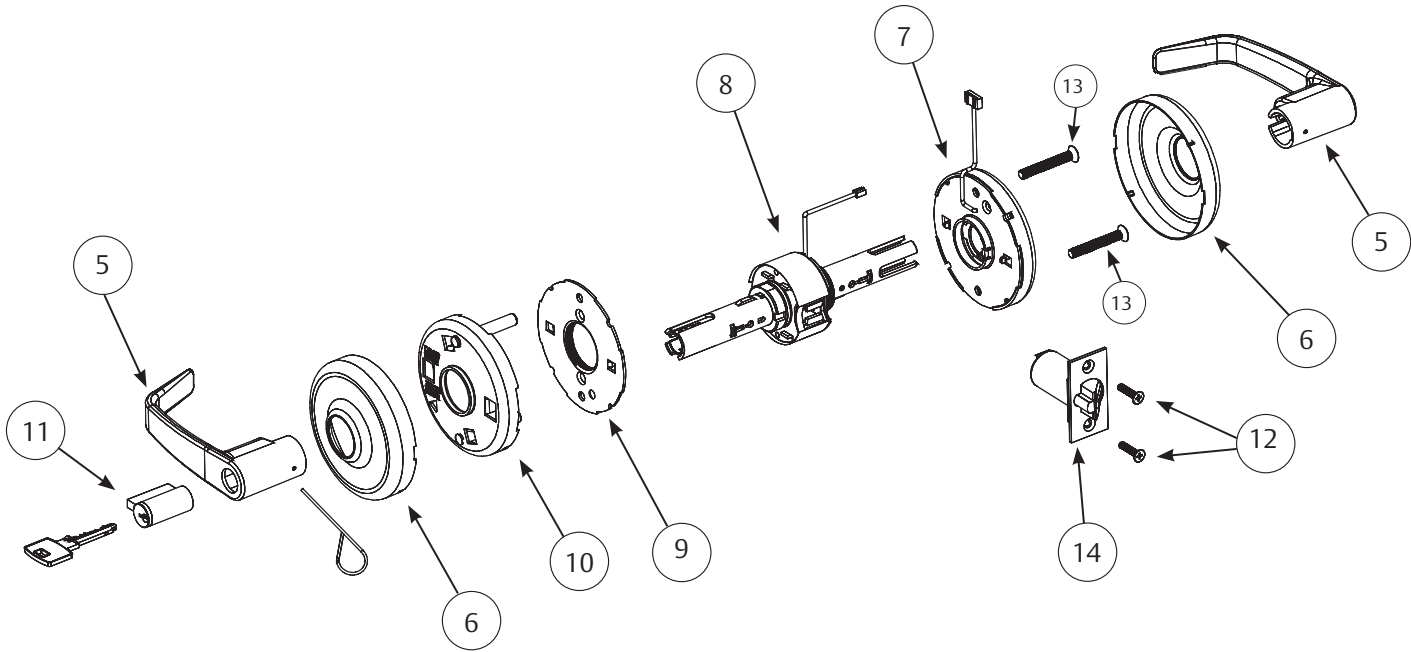
- Phillips Screwdriver (Standard size)
- Slotted Screwdriver (Standard size)
- 1/8" Allen Wrench



| ITEM | Description               | Req. |
|------|---------------------------|------|
| 1    | Reader & Harness Assembly | 1    |
| 1A   | Signo Reader Back Plate   | 1    |
| 2    | Mounting Packet           | 1    |
| 3    | Fire Plate Packet         | 1    |
| 4    | Inside Escutcheon         | 1    |

See document FM643 for part numbers

**4) Product Illustrations (Continued)**



|    | DESCRIPTION   |   |
|----|---|---|
| 5  | Refer to SN200/210 Catalog for Available Lever Styles   | 1 |
| 6  | Refer to SN200/210 Catalog for Available Rose Styles    | 1 |
| 7  | Inside Cassette Housing Assembly for 1-3/4" - 2" Doors  | 1 |
|    | Inside Cassette Housing Assembly for Doors more than 2" | 1 |
| 8  | Lock body Assembly                                      | 1 |
| 9  | Outside Rose Liner                                      | 1 |
| 10 | Outside Housing Assembly                                | 1 |
| 11 | Cylinder Assembly                                       | 1 |
| 12 | Screw Pack  | 1 |
| 13 | Mounting Screw Pack                                     | 1 |
| 14 | Latch Assembly - Deadbolt                               | 1 |

See document FM643 for part numbers

## 5) Wiring Diagrams

| Product  | 8 PIN CONNECTOR |       |                    |                |          |        |         |           | 4 PIN CONNECTOR        |        |        |       |
|--|-----------------|-------|--------------------|----------------|----------|--------|---------|-----------|------------------------|--------|--------|-------|
|  | 1-Black         | 2-Red | 3-White            | 4-Green        | 5-Orange | 6-Blue | 7-Brown | 8-Yellow  | 1-Violet               | 2-Gray | 3-Pink | 4-Tan |
| ACCESS CONTROL DEVICES: SN200/210 Lockset, ElectroLynx wire Color / Function assignments |                 |       |                    |                |          |        |         |           |                        |        |        |       |
|  | 12VDC (Reader)  |       | Communication Type |                | RX       | RX     | EGND    | Function* | 12/24 VDC (LOCK RELAY) |        | DPS    | DPS   |
| SN200 (UL294)  | NEG             | POS   | WIEGAND DATA_1     | WIEGAND DATA_0 | NO       | COM    | EGND    | TAMPER    | NEG                    | POS    | NC     | COM   |
| SN200  |                 |       |                    |                |          |        |         | GREEN LED |                        |        |        |       |
| SN210  |                 |       | OSDP RS-485B       | OSDP RS-485A   |          |        |         | n/a       |                        |        |        |       |

\*Diagrams on following pages

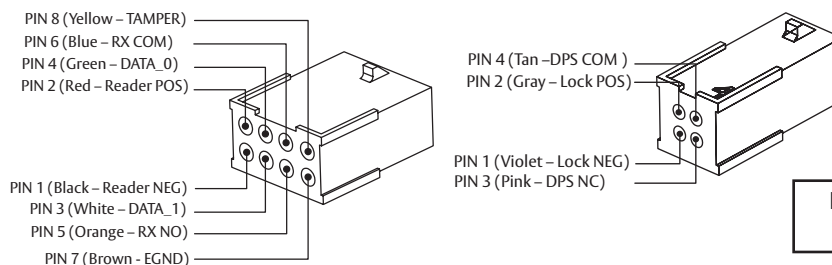
**If your lock is configured with End of Line Resistors, reference instruction sheet FM406 for the wiring of RX & DPS outputs.**

### Wiegand Operation Mode:

- Red LED 'ON' when powered.
- Presenting a compatible credential causes LED to briefly turn green and then return to red state.

### UL294 / TAMPER Configuration:

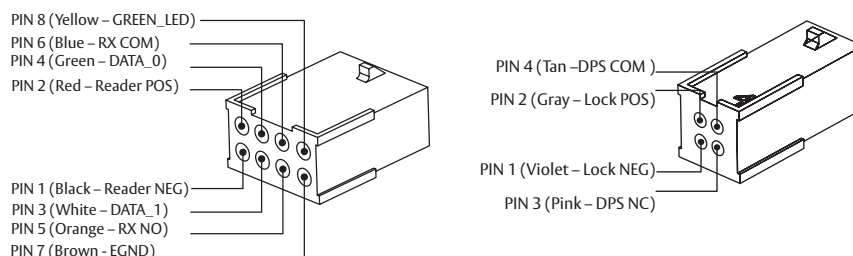
- Connect Yellow TAMPER wire from ElectroLynx cable to desired EAC panel control line. Reference Diagram #1.
- As appropriate, use the configuration card to activate desired mode on reader.



Note: NC= Normally Closed  
NO= Normally Open

### Non-UL294 Configuration:

- Connect GREEN\_LED input to switch controlled by panel. Shorting GREEN\_LED to READER\_NEG (Black) with panel switch will override reader LED to keep it green.



**5) Wiring Diagrams (Continued)**

**SN200 Wiegand UL294/TAMPER Configuration Application Diagram #1**

Tamper will trigger when reader is removed from door and tamper wiring is connected at the panel.

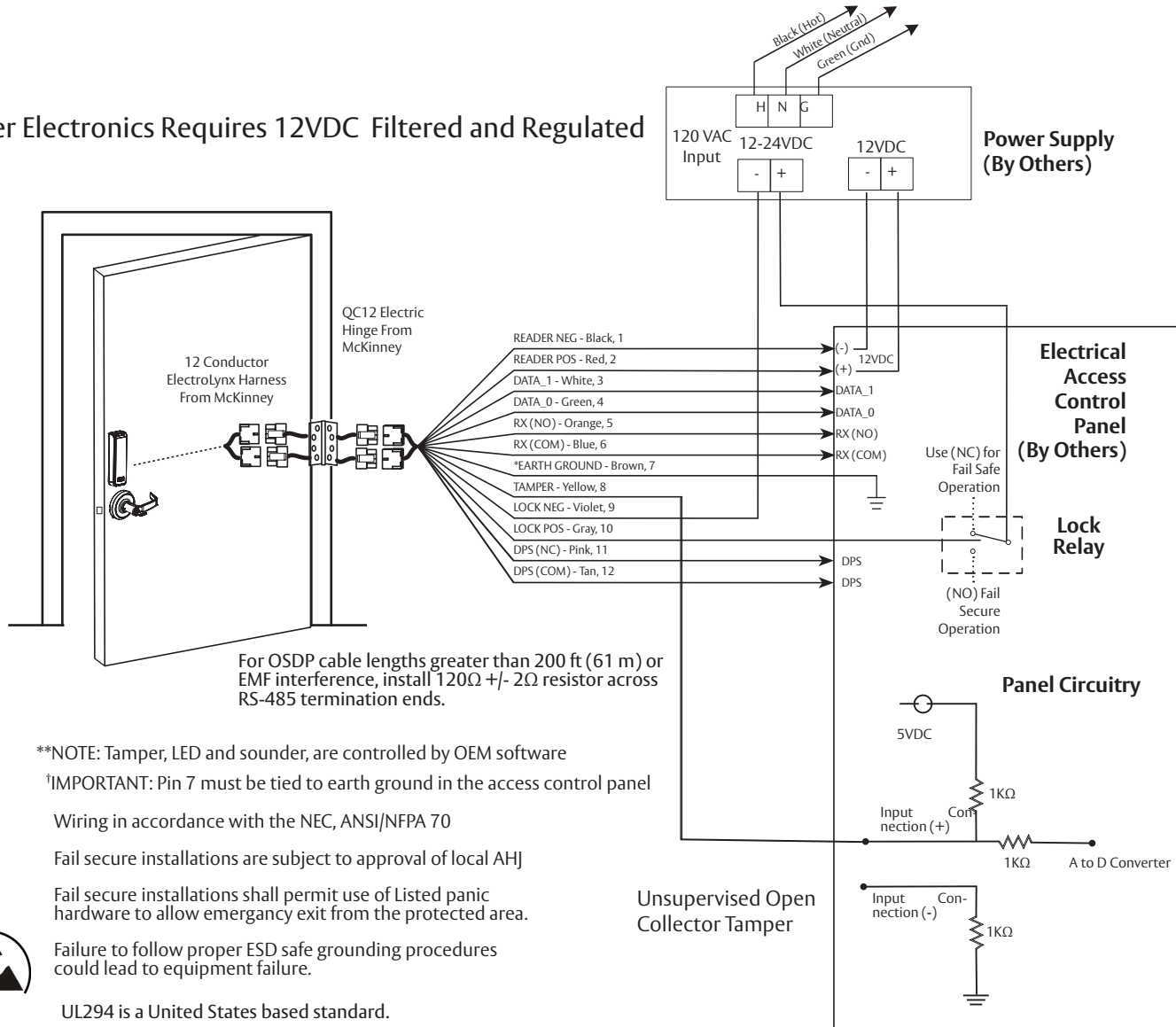
**12/24VDC System**

|                 | 12V     |       | 24V     |       |
|-----------------|---------|-------|---------|-------|
|                 | Average | Peak  | Average | Peak  |
| <b>Reader*</b>  | 75mA    | 250mA | n/a     | n/a   |
| <b>Actuator</b> | 500mA   | 500mA | 250mA   | 250mA |

\*Maximum AVG - RMS current draw during continuous card reads  
Not evaluated by UL.

Peak - highest instantaneous current draw during RF communication

Reader Electronics Requires 12VDC Filtered and Regulated



For OSDP cable lengths greater than 200 ft (61 m) or EMF interference, install 120Ω +/- 2Ω resistor across RS-485 termination ends.

\*\*NOTE: Tamper, LED and sounder, are controlled by OEM software  
†IMPORTANT: Pin 7 must be tied to earth ground in the access control panel

Wiring in accordance with the NEC, ANSI/NFPA 70  
Fail secure installations are subject to approval of local AHJ  
Fail secure installations shall permit use of Listed panic hardware to allow emergency exit from the protected area.  
Failure to follow proper ESD safe grounding procedures could lead to equipment failure.

UL294 is a United States based standard.





**5) Wiring Diagrams (Continued)**

**SN200 Wiegand Non-UL294 Configuration Application Diagram #2**

Connect GREEN\_LED input to switch controlled by panel. Shorting GREEN\_LED to READER\_NEG (Black) with panel switch will override reader LED to keep it green

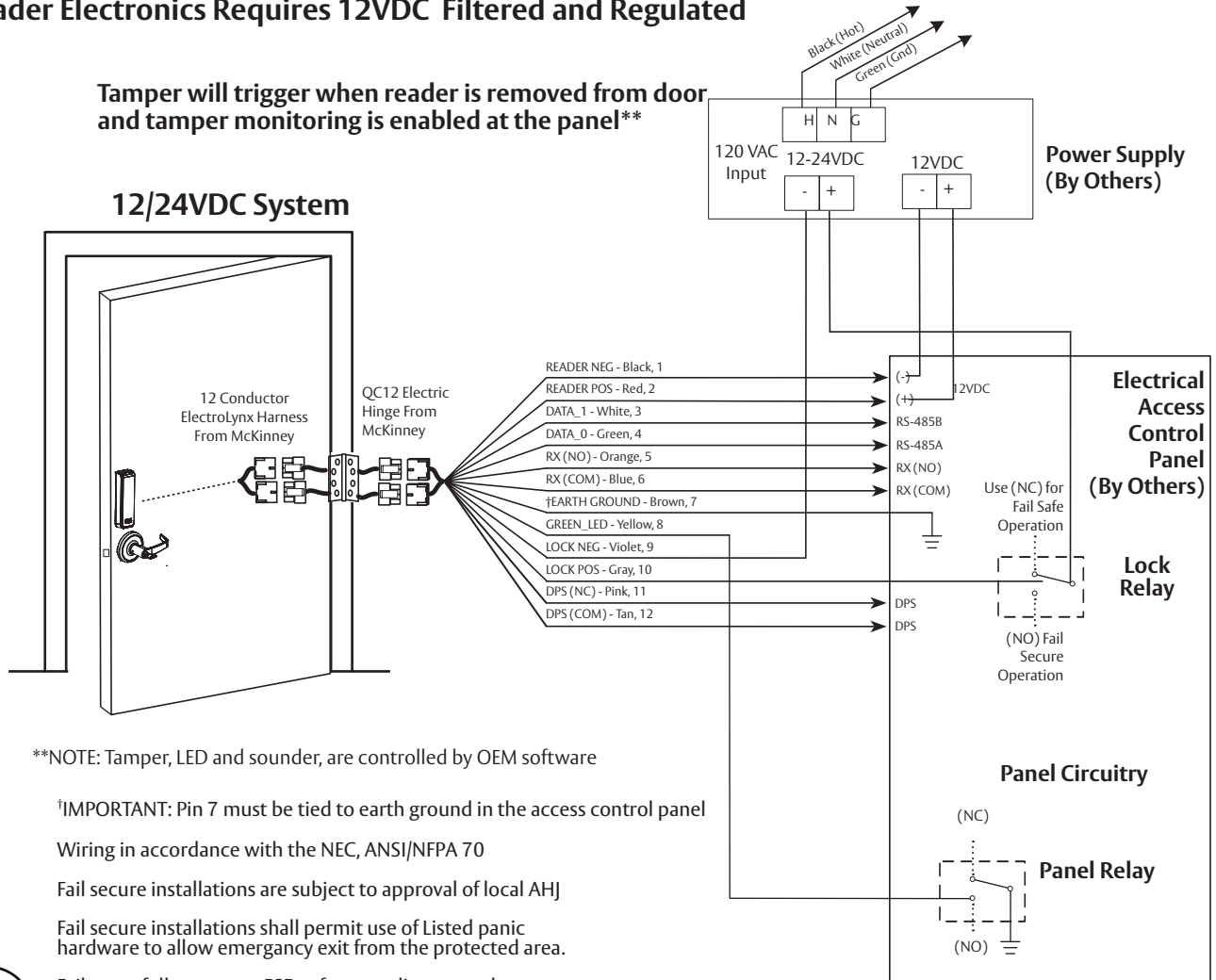
|                 | 12V     |       | 24V     |       |
|-----------------|---------|-------|---------|-------|
|                 | Average | Peak  | Average | Peak  |
| <b>Reader*</b>  | 75mA    | 250mA | n/a     | n/a   |
| <b>Actuator</b> | 500mA   | 500mA | 250mA   | 250mA |

\*Maximum AVG - RMS current draw during continuous card reads  
Not evaluated by UL.

Peak - highest instantaneous current draw during RF communication

**Reader Electronics Requires 12VDC Filtered and Regulated**

Tamper will trigger when reader is removed from door and tamper monitoring is enabled at the panel\*\*



\*\*NOTE: Tamper, LED and sounder, are controlled by OEM software

†IMPORTANT: Pin 7 must be tied to earth ground in the access control panel

Wiring in accordance with the NEC, ANSI/NFPA 70

Fail secure installations are subject to approval of local AHJ

Fail secure installations shall permit use of Listed panic hardware to allow emergency exit from the protected area.



Failure to follow proper ESD safe grounding procedures could lead to equipment failure.

UL294 is a United States based standard.

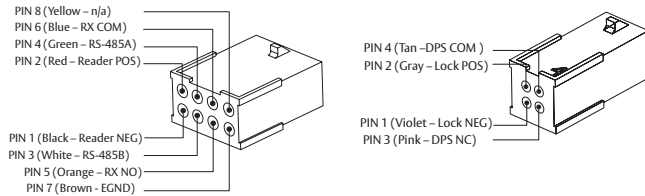
**5) Wiring Diagrams (Continued)**

**SN210 OSDP Application Diagram #3 (12/24VDC System)**

**OSDP Operation Mode\*:**

\*LED/Sounder control and Tamper status communicated over OSDP serial protocol

|                 | 12V     |       | 24V     |       |
|-----------------|---------|-------|---------|-------|
|                 | Average | Peak  | Average | Peak  |
| <b>Reader*</b>  | 75mA    | 250mA | n/a     | n/a   |
| <b>Actuator</b> | 500mA   | 500mA | 250mA   | 250mA |

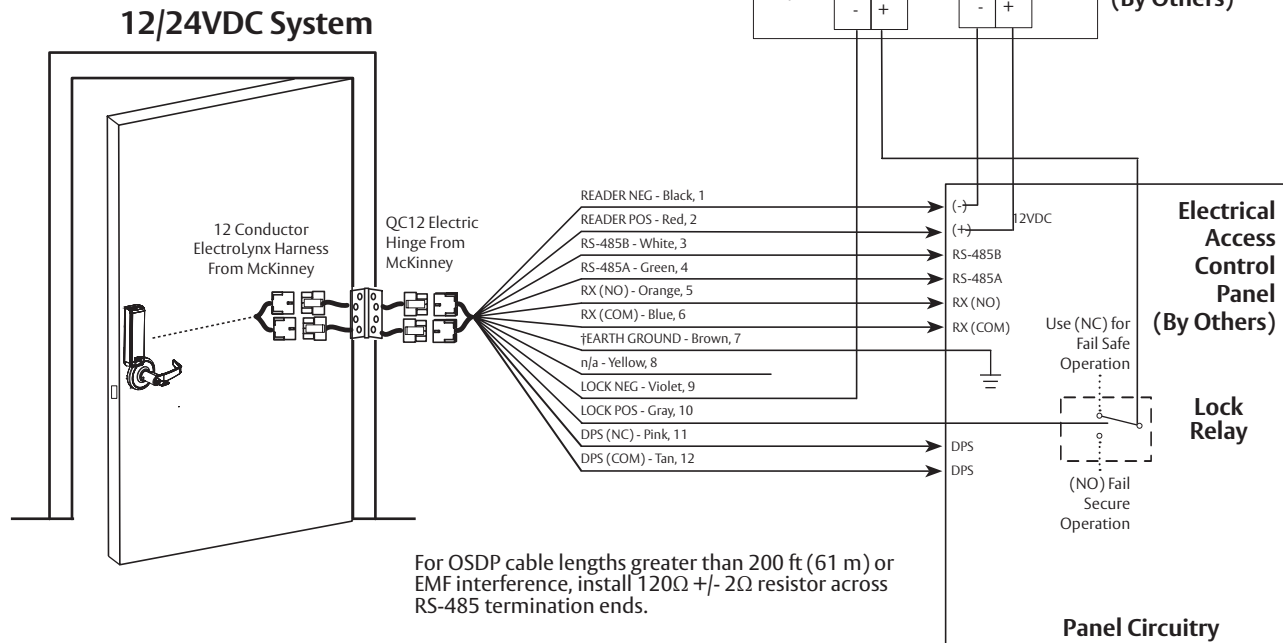


\*\*Maximum AVG - RMS current draw during continuous card reads Not evaluated by UL.

Peak - highest instantaneous current draw during RF communication

**Reader Electronics Requires 12VDC Filtered and Regulated**

Tamper will trigger when reader is removed from door and tamper monitoring is enabled at the panel\*\*



\*\*NOTE: Tamper, LED and sounder, are controlled by OEM software

†IMPORTANT: Pin 7 must be tied to earth ground in the access control panel

Wiring in accordance with the NEC, ANSI/NFPA 70

Fail secure installations are subject to approval of local AHJ

Fail secure installations shall permit use of Listed panic hardware to allow emergency exit from the protected area.

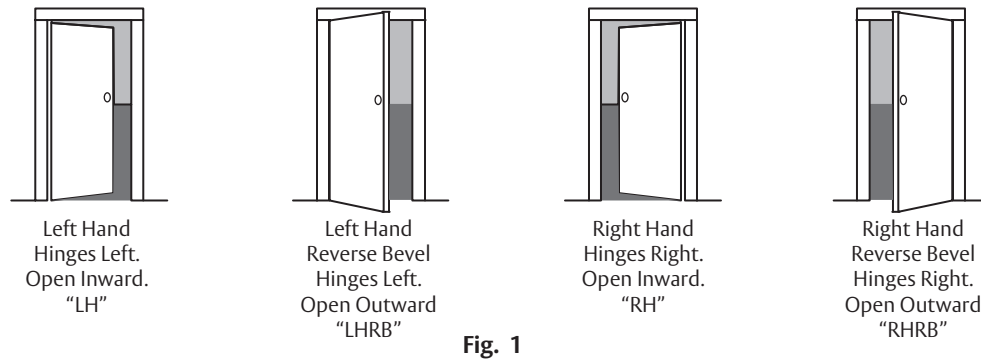
Failure to follow proper ESD safe grounding procedures could lead to equipment failure.

UL294 is a United States based standard.

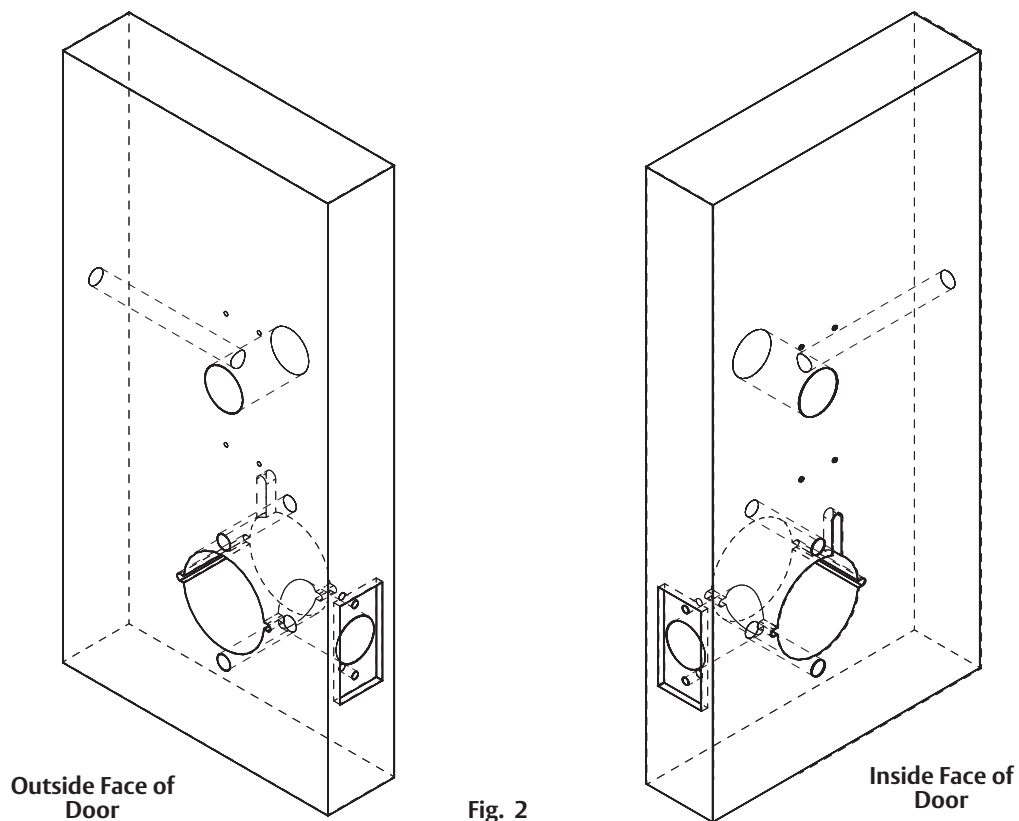


## 6) Installation Instructions

1. **Verify Hand and Bevel of door.** Illustrations shown are as viewed from the outside or secure side of opening.



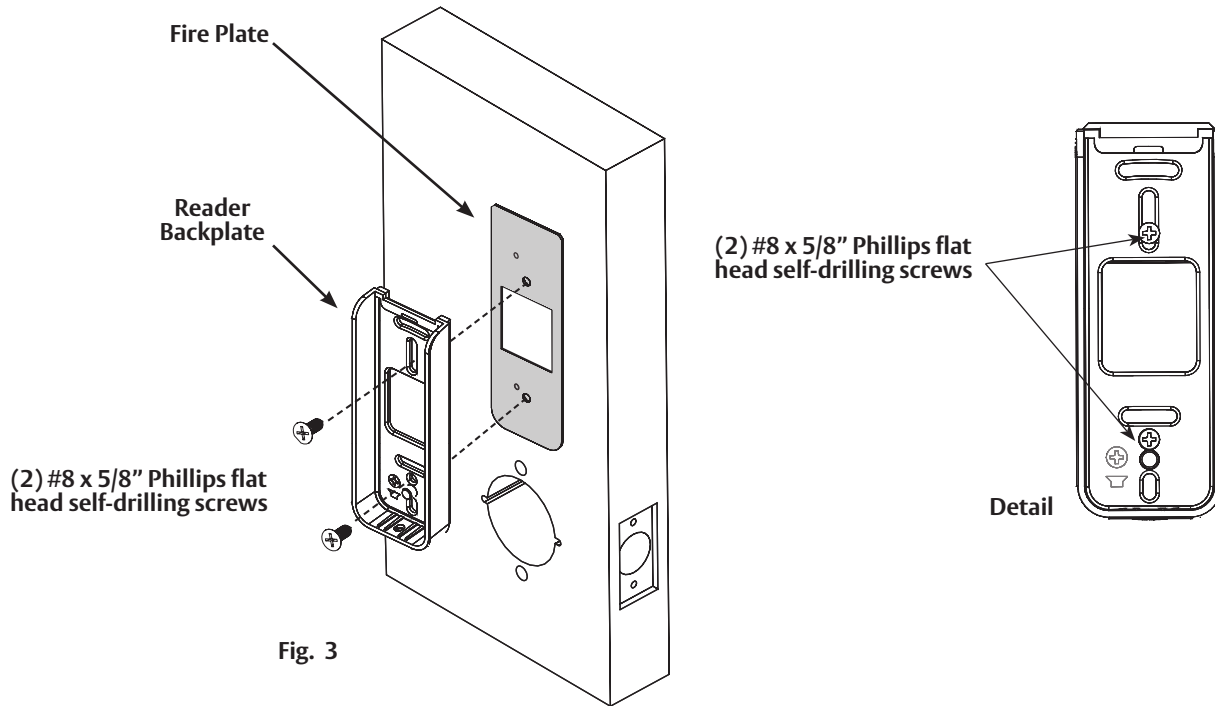
2. **Prep door according to supplied door marker (FM381).** For door manufacture templates visit [www.corbinrusswin.com](http://www.corbinrusswin.com) and reference template # T31214.



## 6) Installation Instructions (Continued)

### 3. Install Reader Backplate and (Optional\*) Fire Shield or Gasket

For fire-rated doors only, install reader backplate and fire shield to door using two (2) #8-18 x 5/8" Phillips flat head self-drilling screws (Fig. 3).



## 6) Installation Instructions (Continued)

### 4. Install SN200/210 Reader Assembly

1. Feed reader harness through door (Fig. 4a, c)
2. Hook the top of the reader on the top of the mounting plate (Fig. 4b).
3. Align the bottom of the reader with the bottom of the mounting plate.
4. Secure the reader to the mounting plate using the supplied 6-32 x 3/8" T10 security Torx machine screw (Fig. 4b).

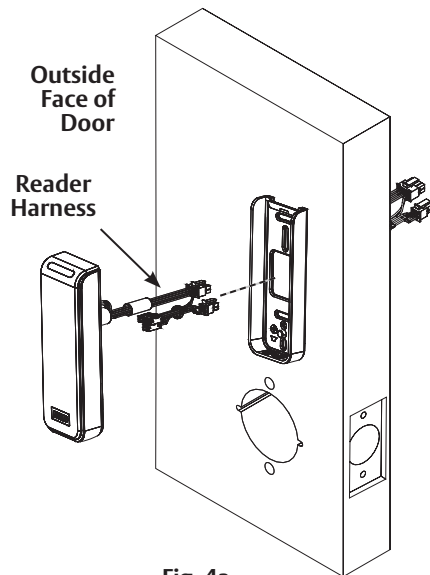


Fig. 4a

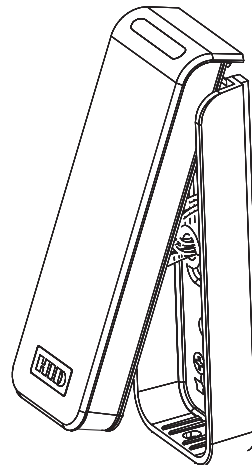


Fig. 4b

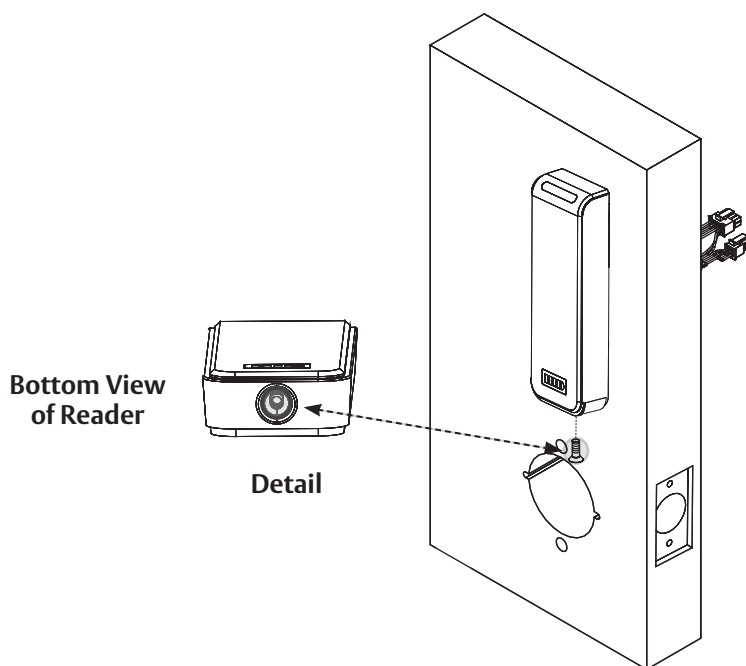
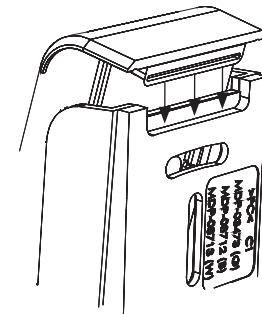
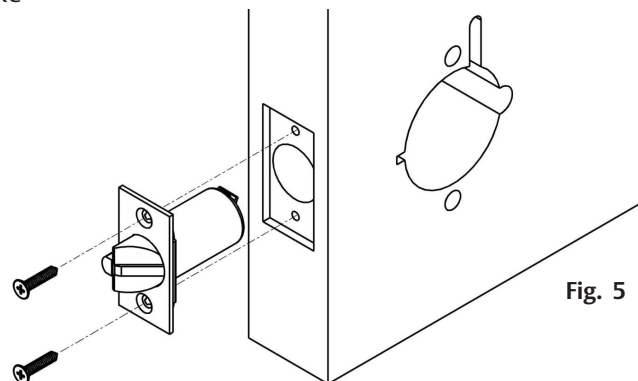


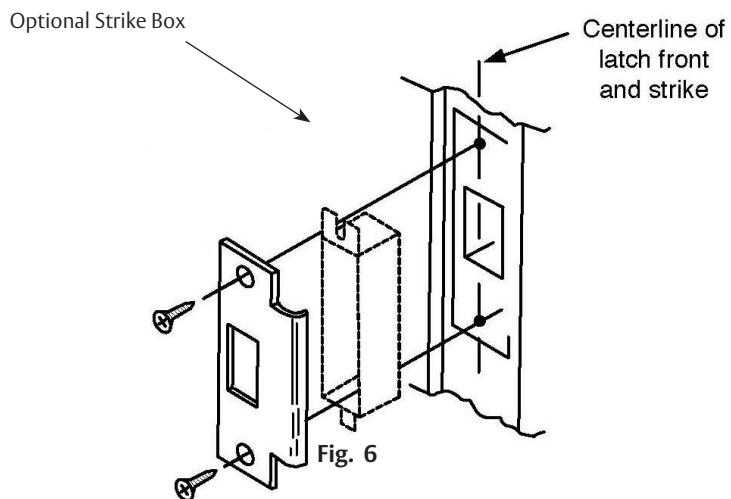
Fig. 4c

## 6) Installation Instructions (Continued)

5. **Install Latch Bolt** with beveled bolt facing the strike using two #8 x 3/4" combination screws (Fig. 5):



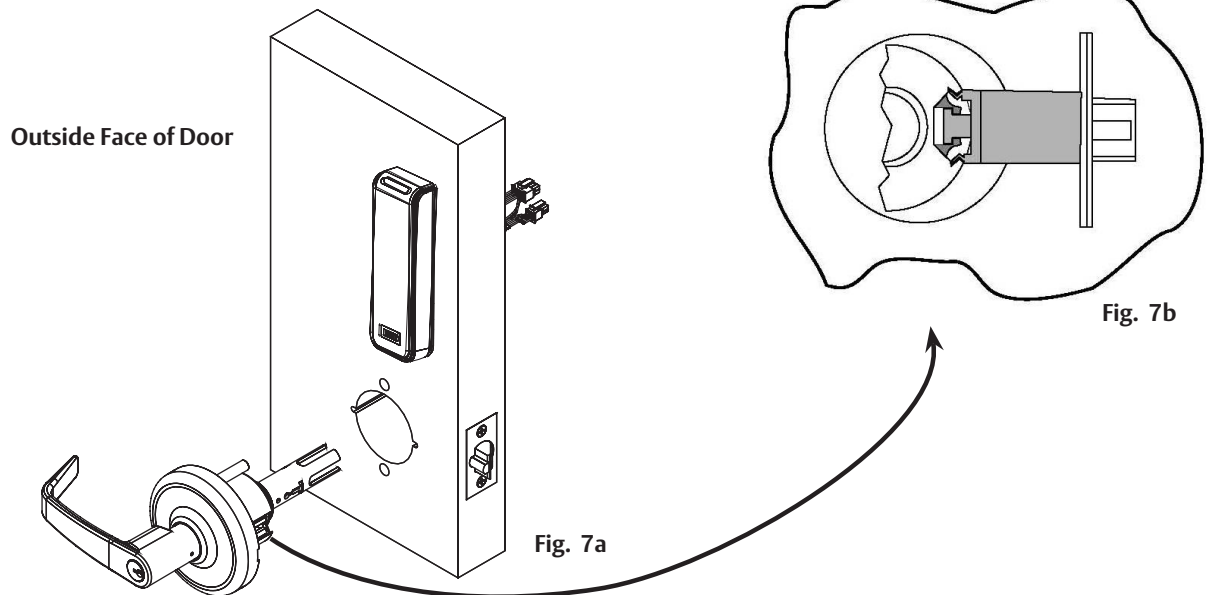
6. **Install Strike Plate** using two #12 x 1" combination screws (Fig. 6):



## 6) Installation Instructions (Continued)

7. **Installing Lock** - Feed lock body and harness through 2-1/8" diameter hole from outside of door (Fig. 7a). Be sure latch engages lock body as shown (Fig. 7b).

**Important:** Door must remain open during installation. Use door stop.



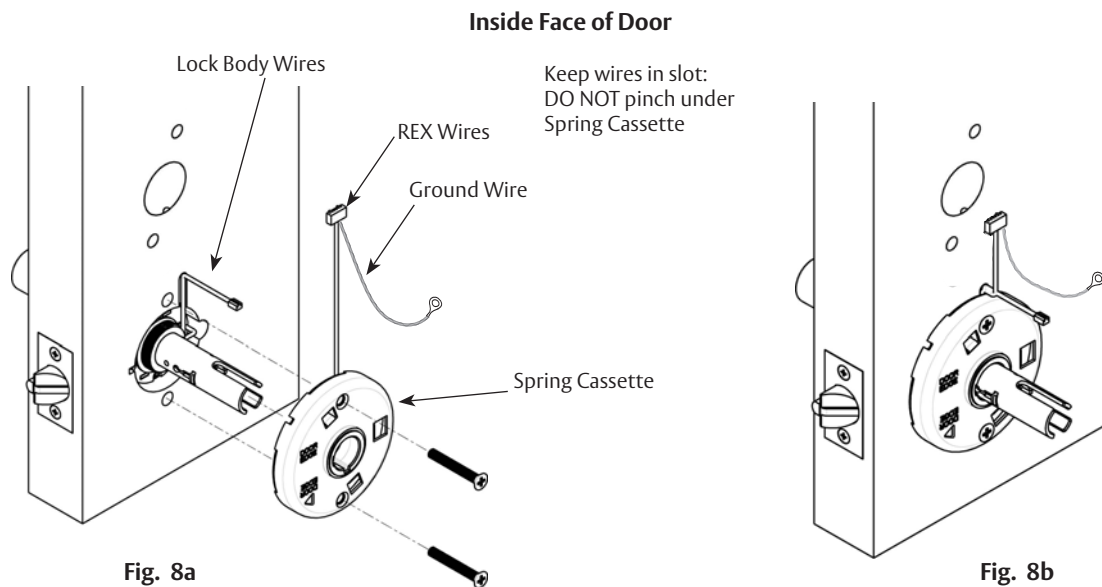
8. **Install Inside Spring Cassette:**

- a. Feed lock body wires and cassette (REX) wires in slot on face of door (Fig. 8a)

Note: Be careful to keep wires in slot cut into door.

- b. Tighten using two #12-24 screws.

Note: DO NOT PINCH wires when tightening.



**6) Installation Instructions (Continued)**

**9. Installation and Removal of Lever and Standard Cylinder:**

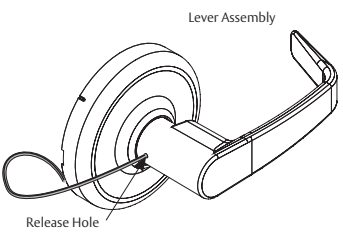
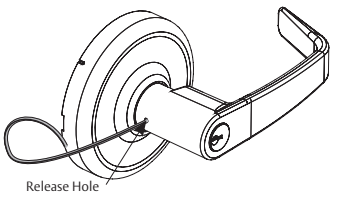
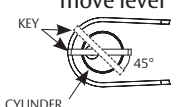
| LEVER STYLE  | REMOVAL  | INSTALL   |
|--|--|---|
|  <p>Release Hole</p>  | <p><b>PUSH RELEASE TOOL</b></p> <p>Push release tool into release hole<br/>Remove lever</p>  | <p><b>SLIDE LEVER OVER</b></p> <p>Slide lever over lever catch<br/>Pull on lever<br/>Make sure lever will not pull off</p>              |
|  <p>Release Hole</p> | <p><b>ROTATE KEY</b></p> <p>Rotate key 45° clockwise<br/>Push release tool into release hole<br/>move lever</p>  <p>KEY<br/>CYLINDER</p> | <p><b>INSERT KEY AND ROTATE</b></p> <p>Insert key and rotate 45° clockwise<br/>Push release tool into release hole<br/>Remove lever</p> |

Fig. 9a

**Install Standard Cylinder**

Make sure cylinder tailpiece is aligned in same direction as cylinder bible. Slide cylinder all the way into lever.

**For 6 pin cylinder:** Fold retainer at hinge and press fit retainer halves together as shown.

**For 7 pin cylinder:** Break retainer at hinge and discard spacer section. Also remove black cylinder spacer from inside of chassis rollback for clearance.

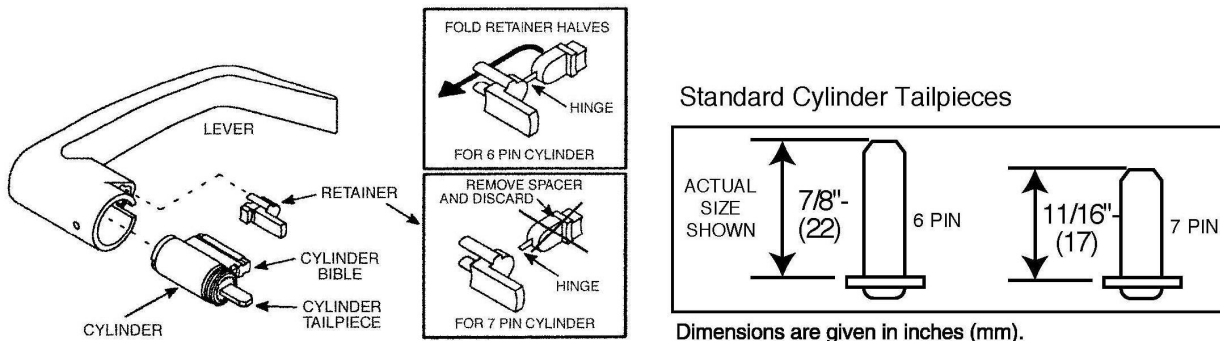


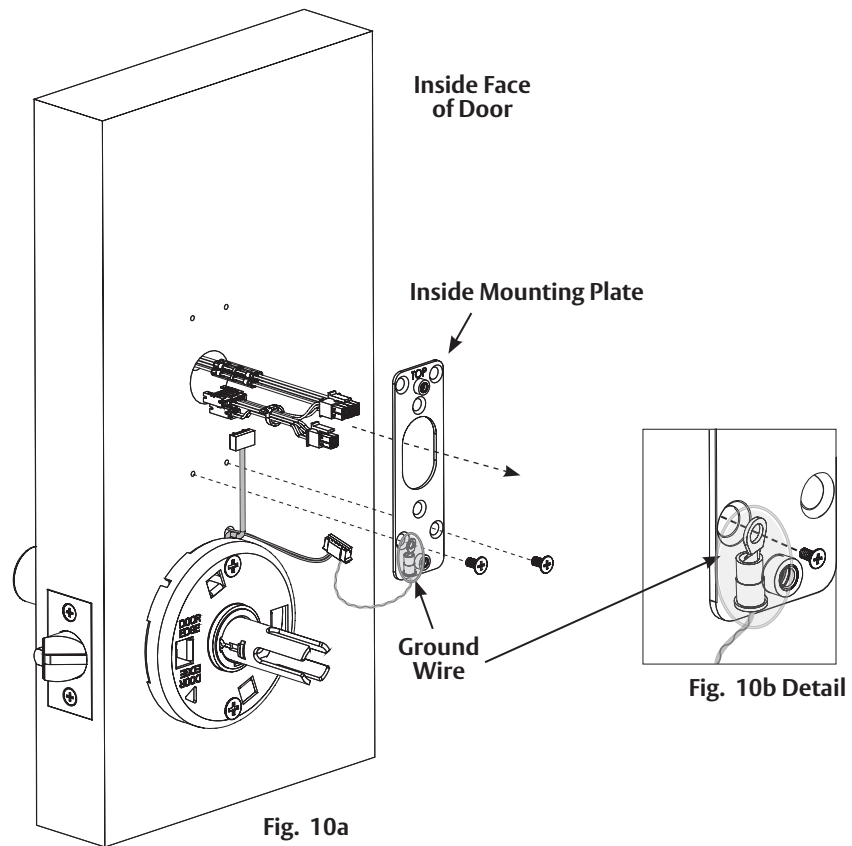
Fig. 9b



## 6) Installation Instructions (Continued)

### 10. Install Inside Mounting Plate:

- Feed reader harness through largest hole of inside mounting plate (Fig. 10a).
- Place ground wire eyelet between lower left mounting plate hole and flat head machine screw when securing mounting plate to door (Fig. 10a, b).
- Continue to secure plate by fastening second flat head machine screw to lower right hole on mounting plate (Fig. 10a).



## 6) Installation Instructions (Continued)

### 11. Connector Attachments:

Do not offset connectors and ensure that they are completely seated.

- a. Connect 6-pin connector from lock body to 6-pin connector on reader harness (Fig. 11a, b).
- b. Connect 2-pin connector from lock body to 2-pin connector on reader harness (Fig. 11a, b).

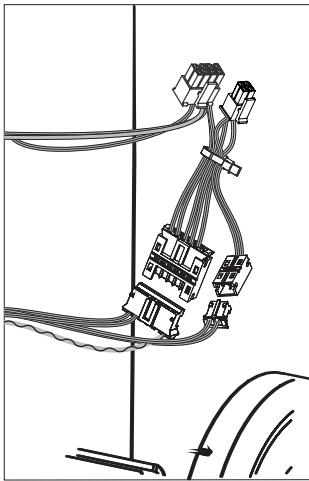


Fig. 11a

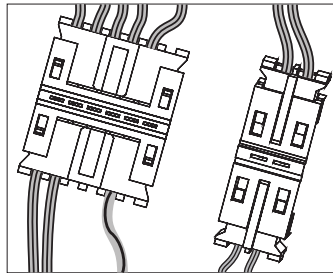


Fig. 11b



Fig. 11c

- c. Carefully tuck connected harnesses into one-inch hole in door (Fig. 11c).
- d. Connect ElectroLynx 4- and 8-pin connectors from the door harness to (black) 4- and 8-pin connectors of the SN200/210 harness (Fig. 11d).

NOTE: Neatly fold excess wires into remaining space to prevent pinching wires when mounting inside escutcheon (Fig. 11c).

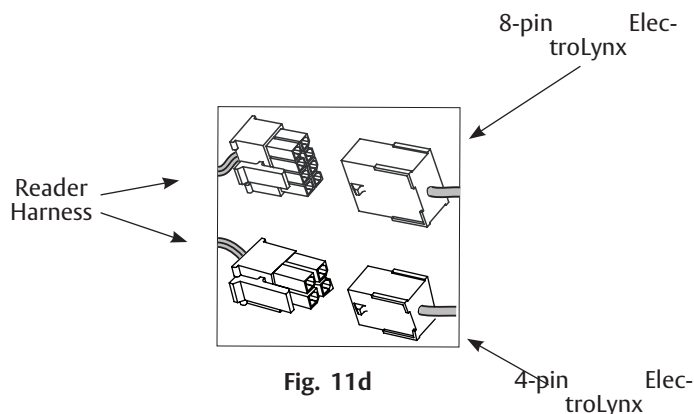
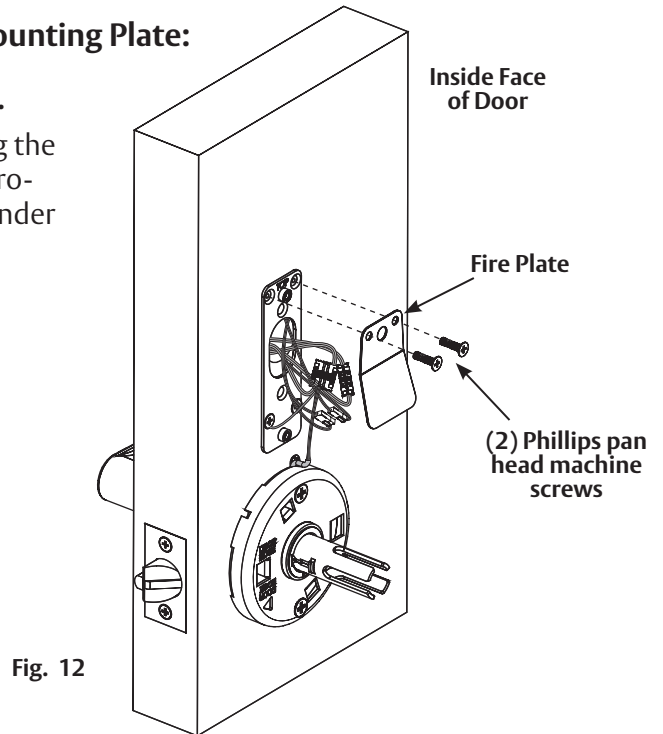


Fig. 11d

## 6) Installation Instructions (Continued)

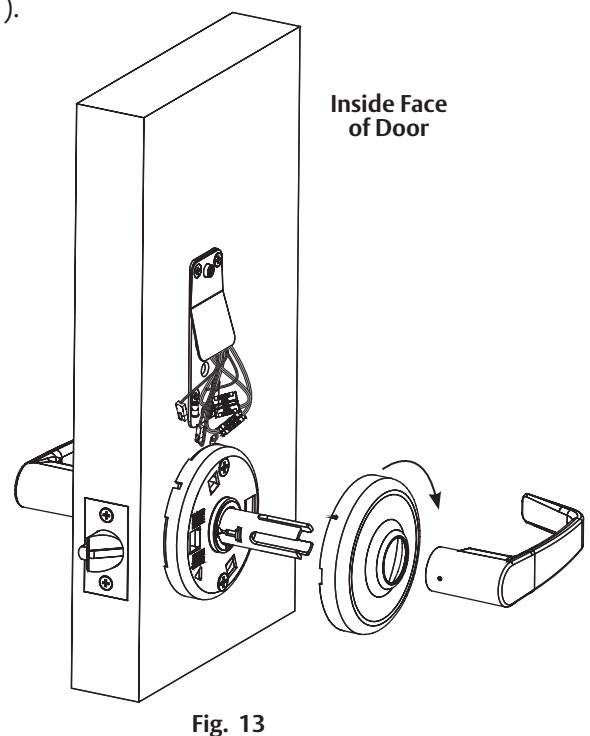
### 12. Install Inside Fire Plate (Optional) and Inside Mounting Plate:

- a. **NOTE: For fire-rated doors only, install fire plate.**
- b. Secure fire plate and mounting plate to door using the (2) remaining Phillips flat head machine screws provided (Fig 12). Ensure wires are properly routed under flap of fire plate.



### 13. Install Inside Rose and Lever Handle:

- a. Attach inside rose to inside rose spring assembly (Fig. 13).
- b. Slide lever handle onto lock body assembly (Fig. 13) and ensure that lever clicks into place.



## 6) Installation Instructions (Continued)

### 14. Install Inside Escutcheon Assembly:

Note: Neatly fold wires into the remaining space to prevent pinching wires when mounting escutcheon.

- a. Tighten the inside escutcheon securely to the mounting plate with the Phillips flat head machine screws provided (Fig. 14).

Use the 8-32 x 5/8" for the top of the escutcheon and the 8-32 x 1/4" screw for the bottom of the escutcheon.

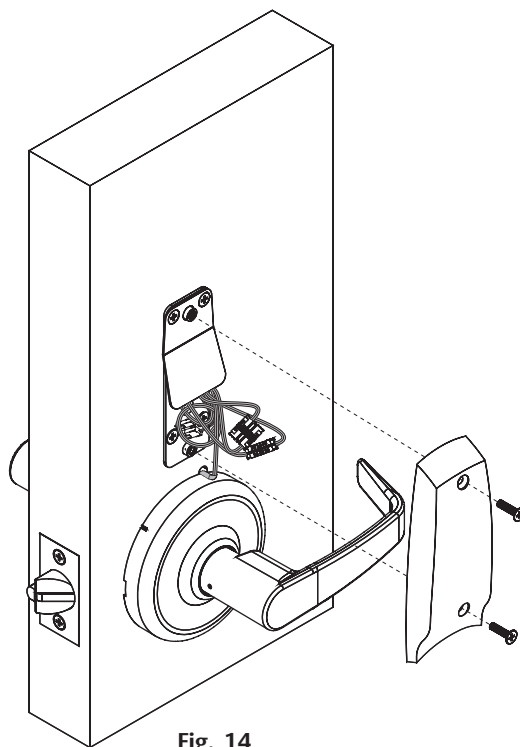


Fig. 14

### 15. Install Door Position Switch:

(Part number 708F989 supplied with product)

- a. Drill 1" hole in door for magnet.
- b. Drill 1" hole in frame for switch.
- c. Wire to ElectroLynx frame harness as shown in wiring diagrams on following pages.

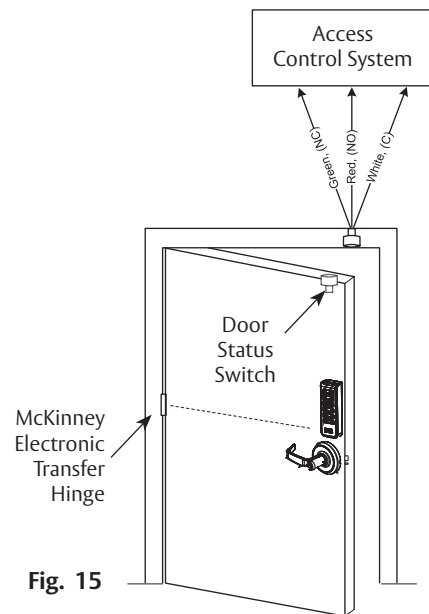


Fig. 15

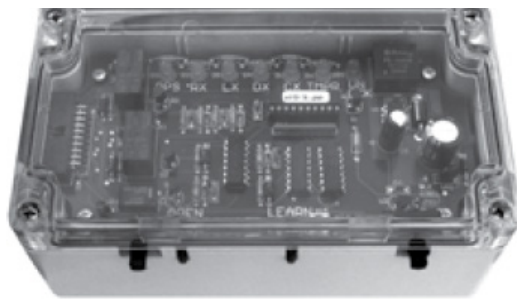
## 7) Operational Check

### Wiegand Test Unit

The ASSA ABLOY Wiegand Test Unit verifies your installation in the field\*. The test unit checks for:

- proper wiring
- card reader data integrity
- lock functionality including lock/unlock, door position status, and request-to-exit (REX) status

In addition, this tool provides demonstration abilities to highlight the product's features and capabilities\*\*.



Wiegand Test Unit - WT1



Wiegand Test Unit - WT2

| Feature  | WT1 | WT2 |
|--|-----|-----|
| 12 or 24VDC solenoid lock voltage adjustable   | X   | X   |
| Operates as Fail Safe or Fail Secure   | X   | X   |
| "Learn" mode allows testing of specific cards without programming at panel level     | X   | X   |
| Card reader data integrity is validated at test unit                                 | X   | X   |
| Displays detailed Wiegand data, including hexadecimal string and total bits received |     | X   |
| Displays measured end-of-line resistor values (if applicable)                        |     | X   |
| Displays key-press data from keypad readers†   |     | X   |

\*For directions on use, see operating instructions provided with unit.

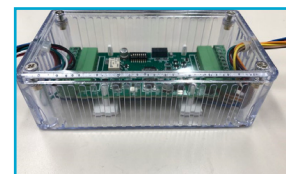
\*\*SN200/210 keypad version works only with WT2

† WT2 unit with 1.03 firmware or later is required

The SNT1 is an adapter harness assembly that connects and converts OSDP lock signaling to work with a Wiegand Test Box (WTB).

If using the OSDP adapter, the WT1 will unlock on credential read or any key press, regardless of what credential is learned (OSDP reader only).

When connected to a Wiegand reader or using OSDP adapter: the WT2 will unlock on credential read and display credential value. Credentials can be learned, as usual. Individual key press will be displayed for any key press, but they cannot be learned.



(SNT1) WTB OSDP adapter wiring harness

## 7) Operational Check (Continued)

Before closing door test for cylinder function of lock cylinder and inside lever:

- a. Insert key into cylinder and rotate.
- b. The key will retract the latch. Key should rotate freely.
- c. Inside lever retracts latch.
- d. Close door, ensure latch fully extends into strike and does not bind.

Note: Once electrical wiring has been successfully completed according to proper application, perform the following:

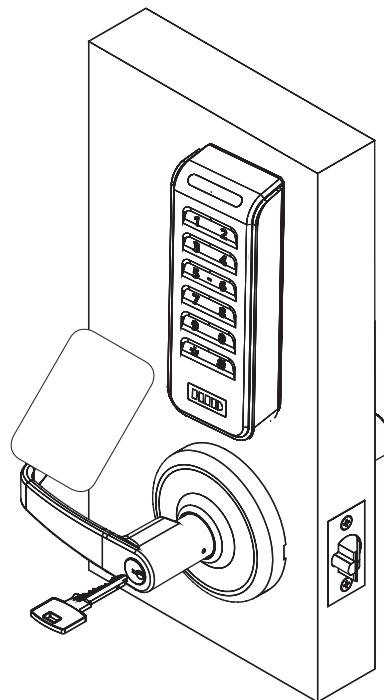
- a. Turn power ON.
- b. Verify LED located on reader is ON (Red or Green) depending on reader configuration\*
- \*NOTE: Ensure LED operates as configured:  
LED (if normally RED) goes GREEN when panel issues GREEN\_LED signal or issues OSDP command
- c. Present valid credential and verify LED and sounder activity
- d. Verify valid card read at EAC Panel.
- e. Verify system operation functions; i.e., when valid credential is presented to reader the door unlocks.

If the lock fails to operate when DC voltage is applied:

- a. Remove power.
- b. Confirm the polarity of the supply (i.e., '+' is positive).

If the lock is functioning opposite to the desired fail-safe or fail-secure operation:

- a. Remove power and check the "Fail" condition by attempting to rotate the outside lever (e.g. if fail-secure, the outside lever should be rigid with power removed).
- b. If the function is incorrect, remove the lock and repeat section 6, step 3 (DIP Switch configuration).



SN200/210 CL33600  
Cylindrical Lock



The ASSA ABLOY Group is the global leader in access solutions. Every day, we help billions of people experience a more open world.

ASSA ABLOY Opening Solutions leads the development within door openings and products for access solutions in homes, businesses and institutions. Our offering includes doors, frames, door and window hardware, mechanical and smart locks, access control and service.

**Corbin  
Russwin** 

**ASSA ABLOY**

Corbin Russwin  
225 Episcopal Road  
Berlin, CT 06037  
Phone: 800-543-3658  
Fax: 800-447-6714  
corbinrusswin.com

Copyright © 2020-2023 ASSA ABLOY Access and Egress Hardware Group, Inc. All rights reserved.  
Reproduction in whole or in part without the express written permission of ASSA ABLOY Access and Egress  
Hardware Group, Inc. is prohibited.  
Patent pending and/or patent - [www.assaabloydss.com/patents](http://www.assaabloydss.com/patents).  
HID, iCLASS, and Edge are trademarks or registered trademarks of HID Global Corporation.

For installation assistance contact Corbin Russwin  
1-800-810-WIRE (9473) • techsupport.corbinrusswin@assaabloy.com

FM561 01/23