



SN Series

Integrated Wired Access Control

Parts Manual

Table of Contents	2
How to Order Parts	2
General Information	2
General Information	3
Reader Modifier	3
Reader Code	3
Finishes	3
Reader and Harness Assembly	4
Reader and Harness Assembly Options Parts Table	4
ML20600 Mortise Locks	6
ML20600 Mortise Locks Parts List	7
CL33600 Cylindrical Locks	8
CL33600 Cylindrical Locks	8
CL33600 Cylindrical Locks Parts List	9
CLX33600 Cylindrical Locks	10
CLX33600 Cylindrical Locks	10
CLX33600 Cylindrical Locks Parts List	11
9600 Series Exit Device	12
9600 Series With MELR	12
MP9800 Series Multi-Point Lock	14
MP9800 Series Without MELR Option	14
MP9800 Series With MELR Option	15
MP9800 Series With and Without MELR Option Parts List	16
FE6600 Multi-Point Lock	17
FE6600 Mortise	17

How to Order Parts

1. In order to simplify the ordering procedure and maintain regulatory compliance, parts are only available as listed.
2. To order parts, provide the appropriate quantity, part number, hand and/or finish (when required) and description as directed and illustrated below.

	Finishes	ANSI	Mortise	Cyl.	Exit
03	Bright Brass	605	X	X	X
04	Satin Brass	606	X	X	X
09	Bright Bronze	611	X	X	X
10	Satin Bronze, Clear Powder Coat	612	X	X	X
10B	Oxidized Satin Bronze Oil Rubbed	613	X	X	X
10BE	Dark Oxidized Satin Bronze - equivalent	613E	X	X	X
10BL	Oxidized Satin Bronze, Clear Powder Coat	-	X	X	X
14*	Bright Nickel, Clear Coated	618	X	X	X
15*	Satin Nickel, Clear Coated	619	X	X	X
20D	Dark Statuary Bronze, Clear Powder Coat	-	X	X	X
26*	Bright Chrome	625	X	X	X
26D*	Satin Chrome	626	X	-	X
32**	Bright Stainless Steel	629	X	-	X
32D**	Satin Stainless Steel	630	X	X	X
BSP	Black Suede Powder Coat	-	X	X	X
WSP	White Suede Powder Coat	-	X	X	X

* ET Trim will be supplied with the requested finish, the Exit Devices will be supplied in 32 or 32D accordingly

** Only available with Exit Devices, the external trim will be supplied in 26 or 26D accordingly

Reader Modifier

- B03 UL294 Compliant, tamper wire connected FIPS/FIKPS: 200-bit output
- B0E Non-UL294 Compliant, green LED wire connected BIS, BIKS, BIPS, BIKPS only
- B04 UL294 Compliant, tamper wire connected FIPS/FIKPS: 75-bit output
- B0D UL294 Compliant, tamper wire connected FIPS/FIKPS: 128-bit output
- B0F Non-UL294 Compliant, green LED wire connected FIPS/FIKPS: 200-bit output
- B0G Non-UL294 Compliant, green LED wire connected FIPS/FIKPS: 75-bit output
- B0H Non-UL294 Compliant, green LED wire connected FIPS/FIKPS: 128-bit output

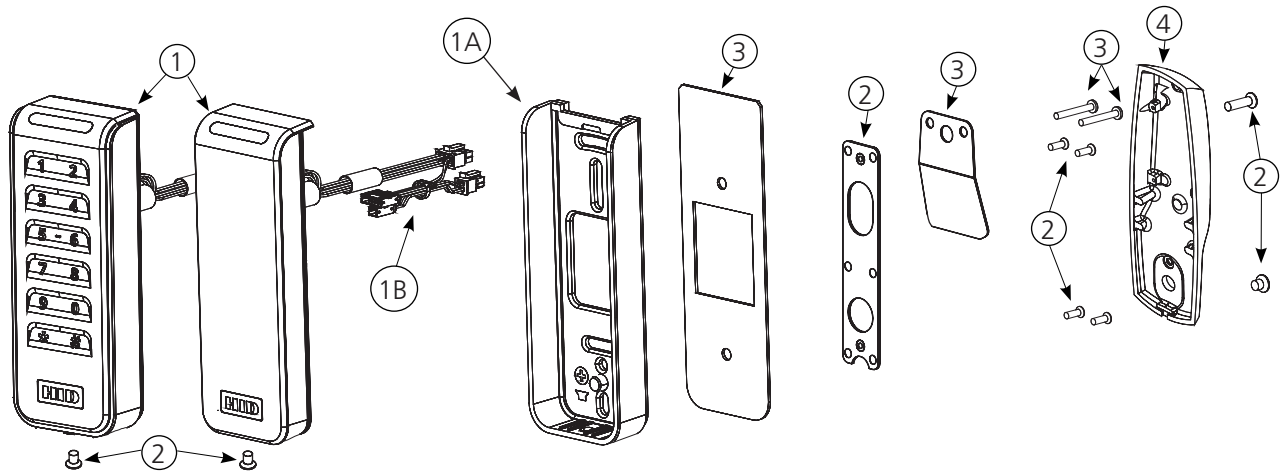
Reader Code

- BIS* HID Mobile Access® Ready and Bluetooth Smart capable; High Frequency credentials ONLY supported
- BIKS* HID Mobile Access® Ready and Bluetooth Smart capable with keypad; High Frequency credentials ONLY supported
- BIPS* HID Mobile Access® Ready and Bluetooth Smart capable; High and Low Frequency credentials supported
- BIKPS* HID Mobile Access® Ready and Bluetooth Smart capable with keypad; High and Low Frequency credentials supported
- FIPS*** PIV compatible
- FIKPS*** PIV compatible with Keypad

*SN210 BIS, BIKS, BIPS, and BIKPS only available with 0E credential modifier; SN210 FIPS and FIKPS only available with 03 or 0D credential modifier

** With SN Series the reader is always 12VDC. Please select either 12VDC or 24VDC for the lock voltage.

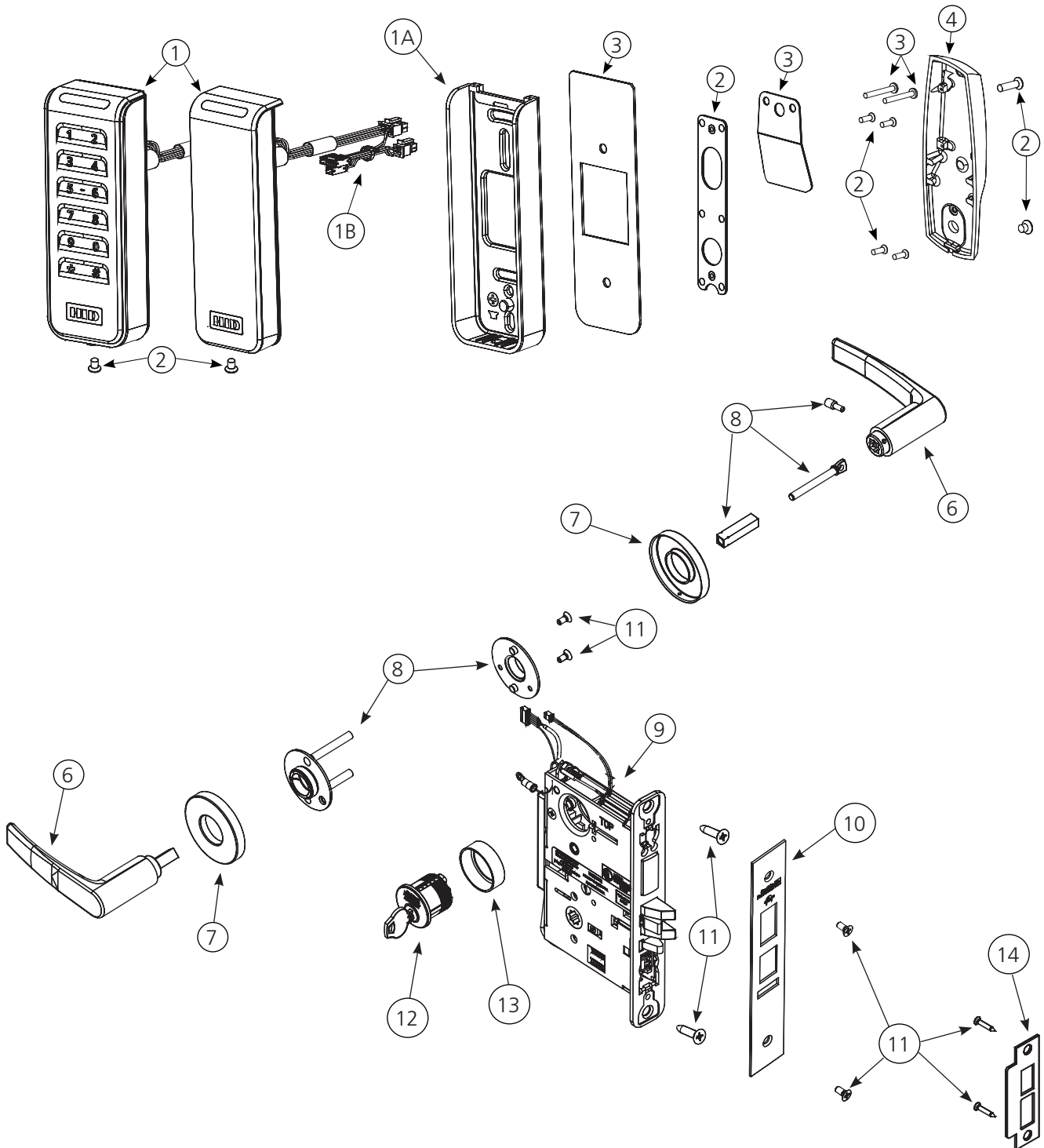
*** Please contact your local Door Security Solutions representative for FIPS and FIKPS availability.



ITEM	PART #	DESCRIPTION	REQ.
1	868F809	SN200 BIPS-B03 Reader & Harness Assembly - Wiegand (UL294/TAMPER Configuration)	1
	862F349	SN200 BIPS-B0E Reader & Harness Assembly - Wiegand (Non-UL294 Configuration)	
	868F819	SN200 BIKPS-B03 Reader & Harness Assembly - Keypad, Wiegand (UL294/TAMPER Configuration)	
	862F359	SN200 BIKPS-B0E Reader & Harness Assembly - Keypad, Wiegand (Non-UL294 Configuration)	
	871F069	SN200 FIPS-B03 Reader & Harness Assembly - Wiegand - 200-bit output (UL294/TAMPER Configuration)	
	871F079	SN200 FIPS-B04 Reader & Harness Assembly - Wiegand - 75-bit output (UL294/TAMPER Configuration)	
	871F089	SN200 FIPS-B0D Reader & Harness Assembly - Wiegand - 128-bit output (UL294/TAMPER Configuration)	
	871F099	SN200 FIPS-B0F Reader & Harness Assembly - Wiegand - 200-bit output (Non-UL294 Configuration)	
	871F109	SN200 FIPS-B0G Reader & Harness Assembly - Wiegand - 75-bit output (Non-UL294 Configuration)	
	871F119	SN200 FIPS-B0H Reader & Harness Assembly - Wiegand - 128-bit output (Non-UL294 Configuration)	
	871F129	SN200 FIKPS-B03 Reader & Harness Assembly - Keypad, Wiegand - 200-bit output (UL294/TAMPER Configuration)	
	871F139	SN200 FIKPS-B04 Reader & Harness Assembly - Keypad, Wiegand - 75-bit output (UL294/TAMPER Configuration)	
	871F149	SN200 FIKPS-B0D Reader & Harness Assembly - Keypad, Wiegand - 128-bit output (UL294/TAMPER Configuration)	
	871F159	SN200 FIKPS-B0F Reader & Harness Assembly - Keypad, Wiegand - 200-bit output (Non-UL294 Configuration)	
	871F169	SN200 FIKPS-B0G Reader & Harness Assembly - Keypad, Wiegand - 75-bit output (Non-UL294 Configuration)	
	871F179	SN200 FIKPS-B0H Reader & Harness Assembly - Keypad, Wiegand - 128-bit output (Non-UL294 Configuration)	
	862F389	SN210 BIPS-B0E Reader & Harness Assembly - OSDP	
	862F399	SN210 BIKPS-B0E Reader & Harness Assembly - Keypad, OSDP	
	871F189	SN210 FIPS-B03 Reader & Harness Assembly - OSDP - 200-bit output	
	871F209	SN210 FIPS-B0D Reader & Harness Assembly - OSDP - 128-bit output	
871F219	SN210 FIKPS-B03 Reader & Harness Assembly - Keypad, OSDP - 200-bit output		
871F239	SN210 FIKPS-B0D Reader & Harness Assembly - Keypad, OSDP - 128-bit output		
1A	—	Signo Reader Back Plate	1
1B	859F929	Signo Wiring Harness ONLY - Wiegand (non-UL294 Configuration) and OSDP	1
	867F899	Signo Wiring Harness ONLY - Wiegand (UL294/TAMPER Configuration)	

2	763F892 FIN	Mounting Packet	1
		#8-32x5/8" OHM-PH Screw	1
		#8-32x1/4" OHM-PH	1
		#8x3/8" FHT-A-PH UC	2
		Mounting PLT, I/S Mortise	1
		Packet, Universal Screw	1
3	862F949	Fire Plate Packet	1
		Fire Plate	1
		Fire Shield (SN200/210)	1
		#8x1 1/4" Phillips Pan Head Drilling Screw	2
		Solder Sleeve	1
4*	—	Inside Escutcheon	1

* See each lock type for specific part numbers



ITEM	PART #	DESCRIPTION	REQ.
1*	—	Reader and Harness Assembly	1
1A*	—	Signo Reader Back Plate	1
1B*	—	Signo Wiring Harness ONLY	1
2*	—	Mounting Packet	1
3*	—	Fire Plate Packet	1
4	763F79M FIN	Inside Escutcheon with Thumbturn	1
	743F27M FIN	Inside Escutcheon without Thumbturn	1
6	—	Reference SN200/210 Catalog for Available Lever Styles	1
7	—	Reference SN200/210 Catalog for Available Rose Styles	1
8	466F418	Trim Pack - Standard Levers	1
		<i>Adapter Plate Sub Assembly</i>	2
		<i>Lugs</i>	2
	807F328	DL Trim Pack - Museo® (not shown)	
9**	816F008*** 26D	ML20606/07 SAF	1
	816F018*** 26D	ML20606/07 SEC	1
	816F028*** 26D	ML20608/09 SAF (with Deadbolt)	1
	816F038*** 26D	ML20608/09 SEC (with Deadbolt)	1
10	402F30M FIN	Outside Faceplate w/ Deadbolt	1
	624F49M FIN	Outside Faceplate w/o Deadbolt (not shown)	1
11	429F41M FIN	Lock Body and Strike Screw Pack	1
		<i>Screw, FHUM-PH #8-32x1 1/4"</i>	2
		<i>Screw, Comb. THD. #12-FHU-PH x 1"</i>	2
		<i>Screw, Comb. THD. #12-FHU-PH x 3/4"</i>	2
		<i>Screw, Cylinder Set</i>	1
12	—	Cylinder, A01 Cam	1
13	—	Cylinder Collar	1
14	236L72M018 FIN	Strike (w/ Deadbolt)	1
	236L73M018 FIN	Strike (w/o Deadbolt) - not shown	1
15	FM380	Inside Field Prep Template (Not shown)	1
16	T31213	Door Manufacturer Template (Not shown)	1
17	FM562	Installation Instructions (Not shown)	1
18	FM388	Outside Field Prep Template (Not shown)	1

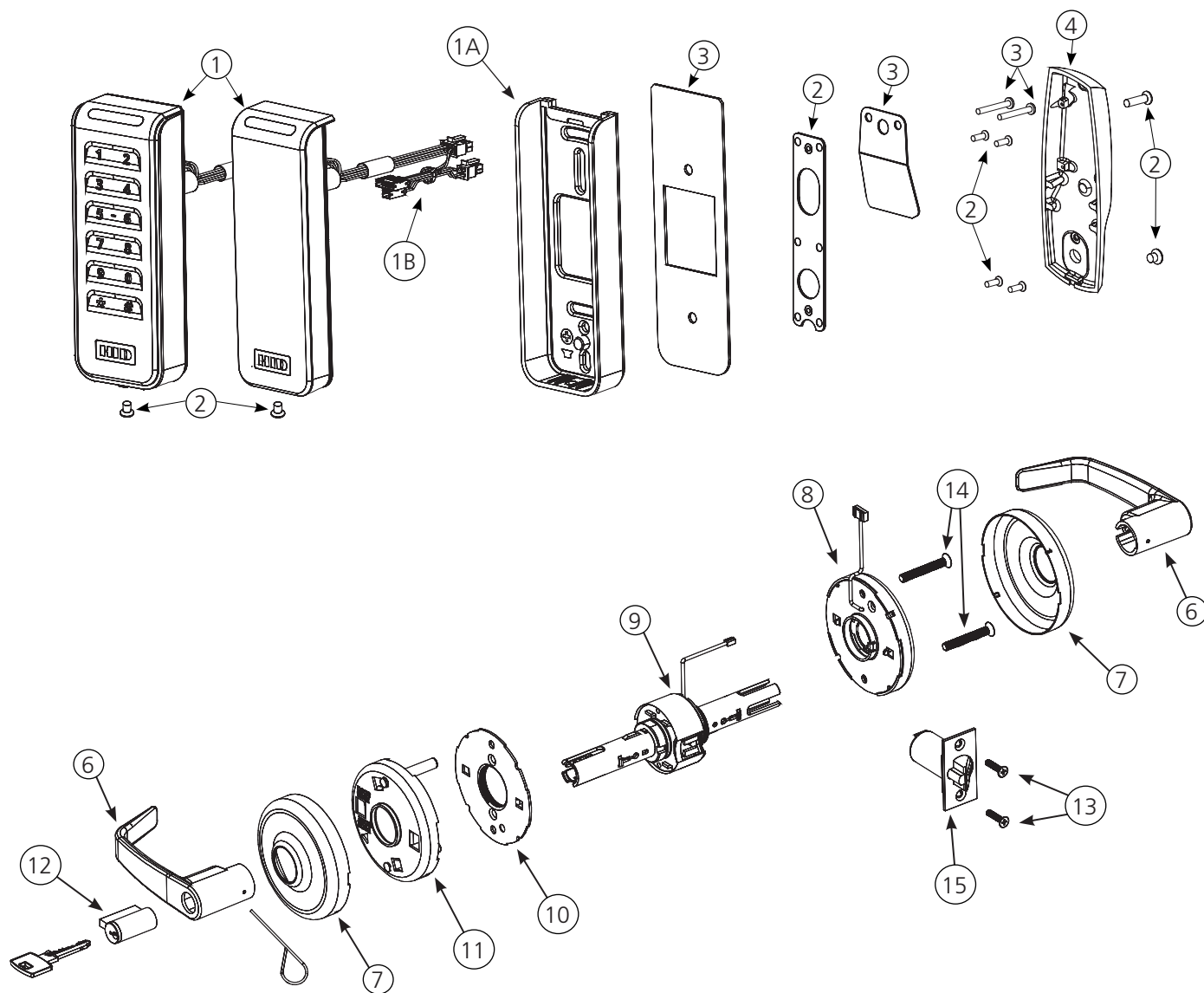
* See Reader and Harness Assembly Options for specific part numbers

**For EOL (End-of-Line Resistor) and PHR locks, please consult factory

***Replace with handing (L, LR, R, or RR)

How to Order:

Lockbody: ML2060XXX specify LL x fin must spec voltage, cred modifier, hand, less lever (LL), less cylinder, safe or secure, tech code: SN200/210



CL33600 Cylindrical Locks

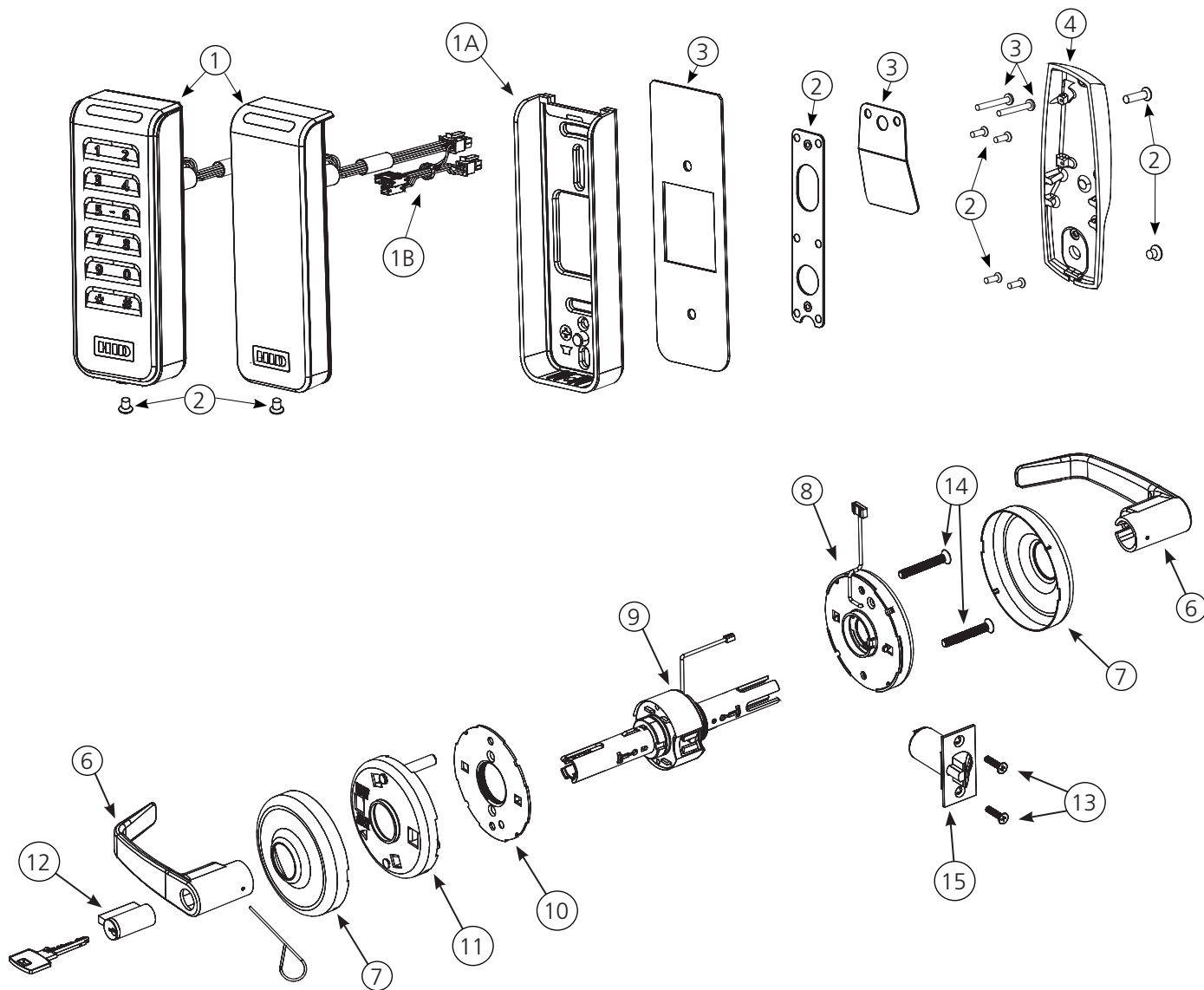
SN Series

CL33600 Cylindrical Locks Parts List

ITEM	PART #	DESCRIPTION	REQ.
1*	—	Reader and Harness Assembly	1
1A*	—	Signo Reader Back Plate	1
1B*	—	Signo Wiring Harness ONLY	1
2*	—	Mounting Packet	1
3*	—	Fire Plate Packet	1
4	743F285 FIN	Inside Escutcheon	1
6	—	Refer to SN200/210 Catalog for Available Lever Styles	
7	—	Refer to SN200/210 Catalog for Available Rose Styles	
8	785F428	Inside Cassette Housing Assembly for 1-3/4" - 2" Doors	1
	785F438	Inside Cassette Housing Assembly for Doors more than 2"	1
9	STANDARD CYLINDER LOCKBODIES		
	785F528	xx-24V Fail Safe Lock body Assembly	1
	785F538	xx-24V Fail Secure Lock body Assembly	1
	785F548	xx-12V Fail Safe Lock body Assembly	1
	785F558	xx-12V Fail Secure Lock body Assembly	1
	INTERCHANGEABLE CORE CYLINDER LOCKBODIES		
	785F568	xx-24V Fail Safe Lock body Assembly	1
	785F578	xx-24V Fail Secure Lock body Assembly	1
	785F588	xx-12V Fail Safe Lock body Assembly	1
	785F598	xx-12V Fail Secure Lock body Assembly	1
10	678F248	Outside Rose Liner for 1-3/4" - 2" Doors	1
	678F498	Outside Rose Liner for Doors more than 2"	1
11	783F208	Outside Housing Assembly	1
12	—	Refer to SN200/210 Catalog for Available Cylinders	1
13	604F228	Screw Pack	1
		<i>Screw, FHCOM-PH #12 x 15/16"</i>	2
		<i>Screw, FHCOM-PH #8 x 11/16"</i>	2
14	710F658	Mounting Screw Pack for - 1 3/4" - 2" Doors	1
		<i>Insert, Lever</i>	2
		<i>Tool, Knob Release</i>	1
		<i>Screw, FHM-PH #12-24 x 1 1/2"</i>	2
	710F668	Mounting Screw Pack for Doors more than 2"	1
<i>Insert, Lever</i>		2	
<i>Tool, Knob Release</i>		1	
<i>Screw, FHM-PH #12-24 x 2"</i>		2	

ITEM	PART #	DESCRIPTION	REQ.
15	—	Latch Assembly	
	867F32 FIN	Square Corner Latch Assembly 2 3/4" Backset	1
	867F35 FIN	Rounded Corner Latch Assembly 2 3/4" Backset	1
	867F33 FIN	Square Corner Latch Assembly 3 3/4" Backset	1
	867F36 FIN	Rounded Corner Latch Assembly 3 3/4" Backset	1
	867F34 FIN	Square Corner Latch Assembly 5" Backset	1
	867F37 FIN	Rounded Corner Latch Assembly 5" Backset	1
16	FM381	Field Prep Template (not shown)	1
17	T31214	Metal/Wood Door Manufacturer Template (not shown)	1
18	FM388	Outside Field Prep Template (not shown)	1
19	FM561	Installation Instructions (not shown)	1

* See Reader and Harness Assembly Options for specific part numbers



CLX33600 Cylindrical Locks

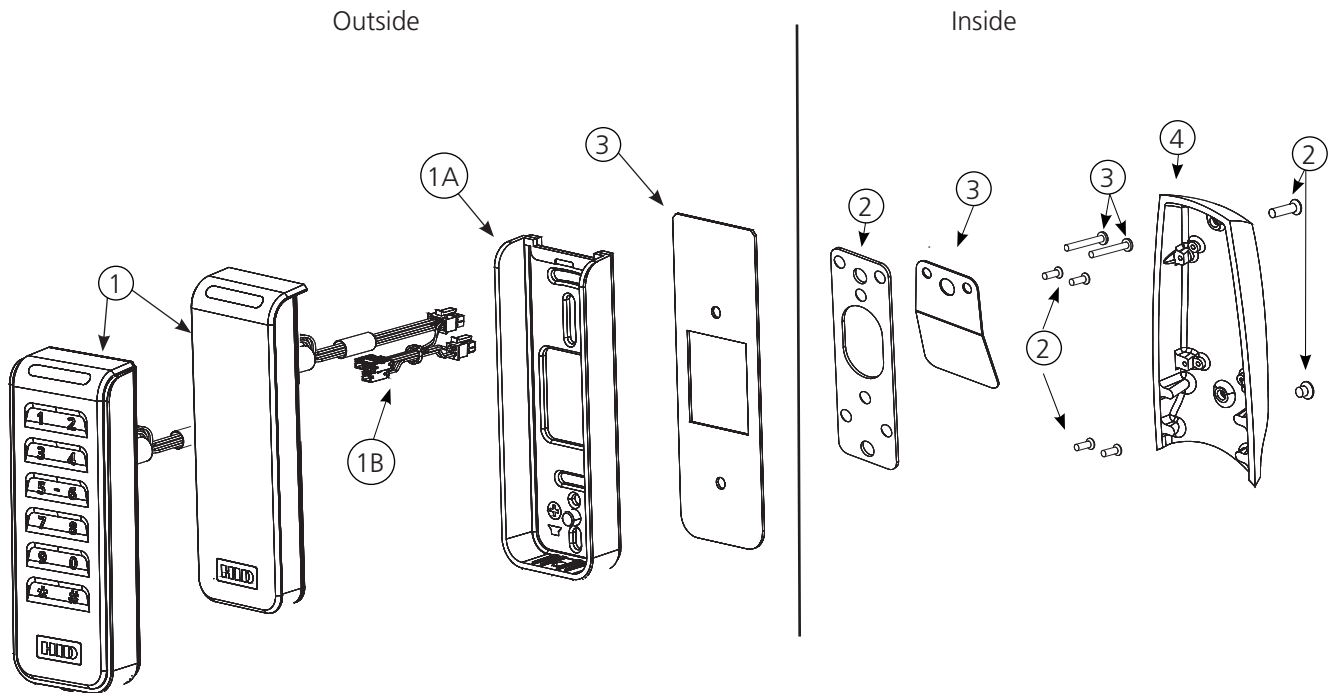
SN Series

CLX33600 Cylindrical Locks Parts List

ITEM	PART #	DESCRIPTION	REQ.
1*	—	Reader and Harness Assembly	1
1A*	—	Signo Reader Back Plate	1
1B*	—	Signo Wiring Harness ONLY	1
2*	—	Mounting Packet	1
3*	—	Fire Plate Packet	1
4	743F285 FIN	Inside Escutcheon	1
6	—	Refer to SN200/210 Catalog for Available Lever Styles	
7	—	Refer to SN200/210 Catalog for Available Rose Styles	
8	885F920	Inside Cassette Housing Assembly for 1-3/4" - 2" Doors	1
	885F930	Inside Cassette Housing Assembly for Doors more than 2"	1
9	LOCKBODIES		
	886F020	Freewheeling Lock body Assembly	1
	886F030	Rigid Lock body Assembly	1
10	789F058	Outside Rose Liner for 1-3/4" - 2" Doors	1
	789F068	Outside Rose Liner for Doors more than 2"	1
11	860F608	Outside Housing Assembly	1
12	—	Refer to SN200/201 Catalog for Available Cylinders	1
13	604F228	Screw Pack	1
		<i>Screw, FHCOM-PH #12 x 15/16"</i>	2
		<i>Screw, FHCOM-PH #8 x 11/16"</i>	2
14	865F308	Mounting Screw Pack for - 1 3/4" - 2" Doors	1
		<i>Tool, Knob Release</i>	1
		<i>Screw, FHM-PH #12-24 x 1 1/2"</i>	2
	865F398	Mounting Screw Pack for Doors more than 2"	1
		<i>Tool, Knob Release</i>	1
		<i>Screw, FHM-PH #12-24 x 2"</i>	2
15	—	Latch Assembly	
	867F32 FIN	Square Corner Latch Assembly 2 3/4" Backset	1
	867F35 FIN	Rounded Corner Latch Assembly 2 3/4" Backset	1
	867F33 FIN	Square Corner Latch Assembly 3 3/4" Backset	1
	867F36 FIN	Rounded Corner Latch Assembly 3 3/4" Backset	1
	867F34 FIN	Square Corner Latch Assembly 5" BACKset	1
	867F37 FIN	Rounded Corner Latch Assembly 5" Backset	1
16	FM381	Field Prep Template (not shown)	1
17	T31214	Metal/Wood Door Manufacturer Template (not shown)	1
18	FM388	Outside Field Prep Template (not shown)	1
19	FM636	Installation Instructions (not shown)	1

* See Reader and Harness Assembly Options for specific part numbers

Rim/CVR/Mortise



ITEM	PART #	DESCRIPTION	REQ.
1*	—	SN200 Reader & Harness Assembly (Wiegand/OSDP)	1
1A*	—	SE Reader Mounting Plate	1
1B*	—	Signo Wiring Harness ONLY	1
2	763F872 FIN	Mounting Packet	1
		#8-32x5/8 OHM-PH Screw	2
		MTG.PLT, IIS CYLIRIMICVR	1
		Packet, Universal Screw	1
3*	—	Fire Plate Packet	1
4	743F28M FIN	Inside Escutcheon	1

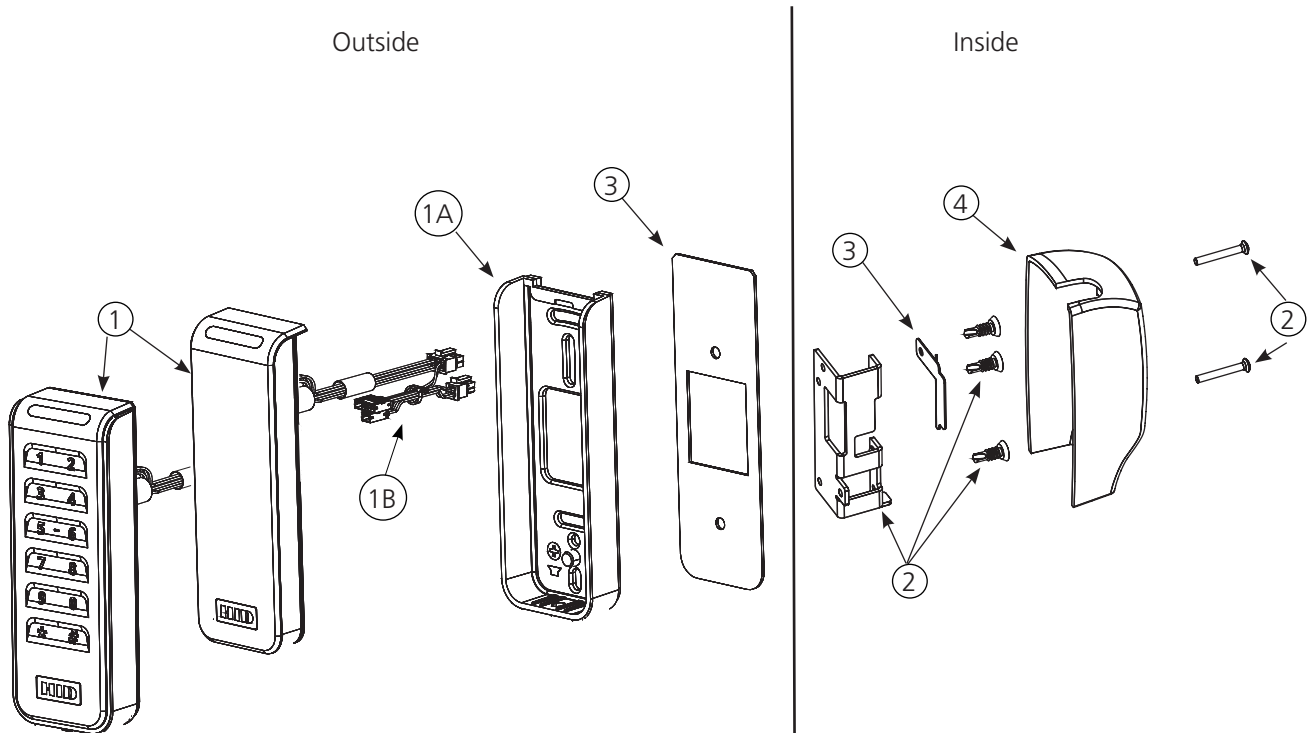
* See Reader and Harness Assembly Options for specific part numbers

9600 Series Exit Device

SN Series

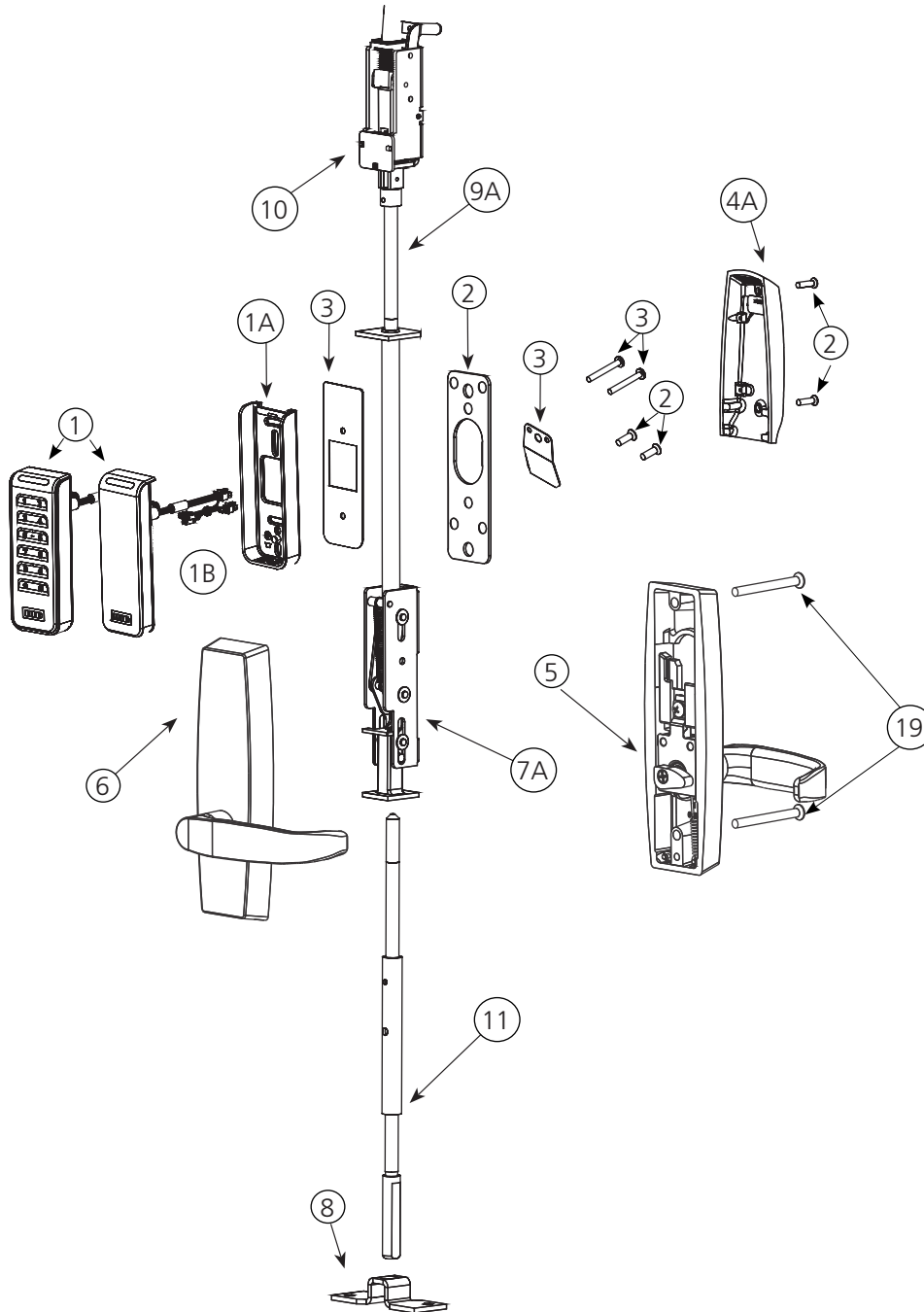
9600 Series With MELR

SVR



ITEM	PART#	DESCRIPTION	REQ.
1*	—	SN200/210 Reader & Harness Assembly (Wiegand/OSDP)	1
1A*	—	SE Reader Mounting Plate	1
1B*	—	Signo Wiring Harness ONLY	1
2	763F882	Mounting Packet	1
		#8-32x5/8 OHM-PH Screw	2
		MTG.PLT, IIS CYLRIM/CVR	1
		Packet, Universl Screw	1
3	862F959	Fire Plate Packet	1
		Fire Plate	1
		Fire Sheild (SN200/SN210)	1
		#8-1 1/4" Phillip Pan Head Drilling Screw	2
		Solder Sleeve	1
4	744F762 FIN	Inside Escutcheon (LHR)	1
	744F772 FIN	Inside Escutcheon (RHR)	1

* See Reader and Harness Assembly Options for specific part numbers



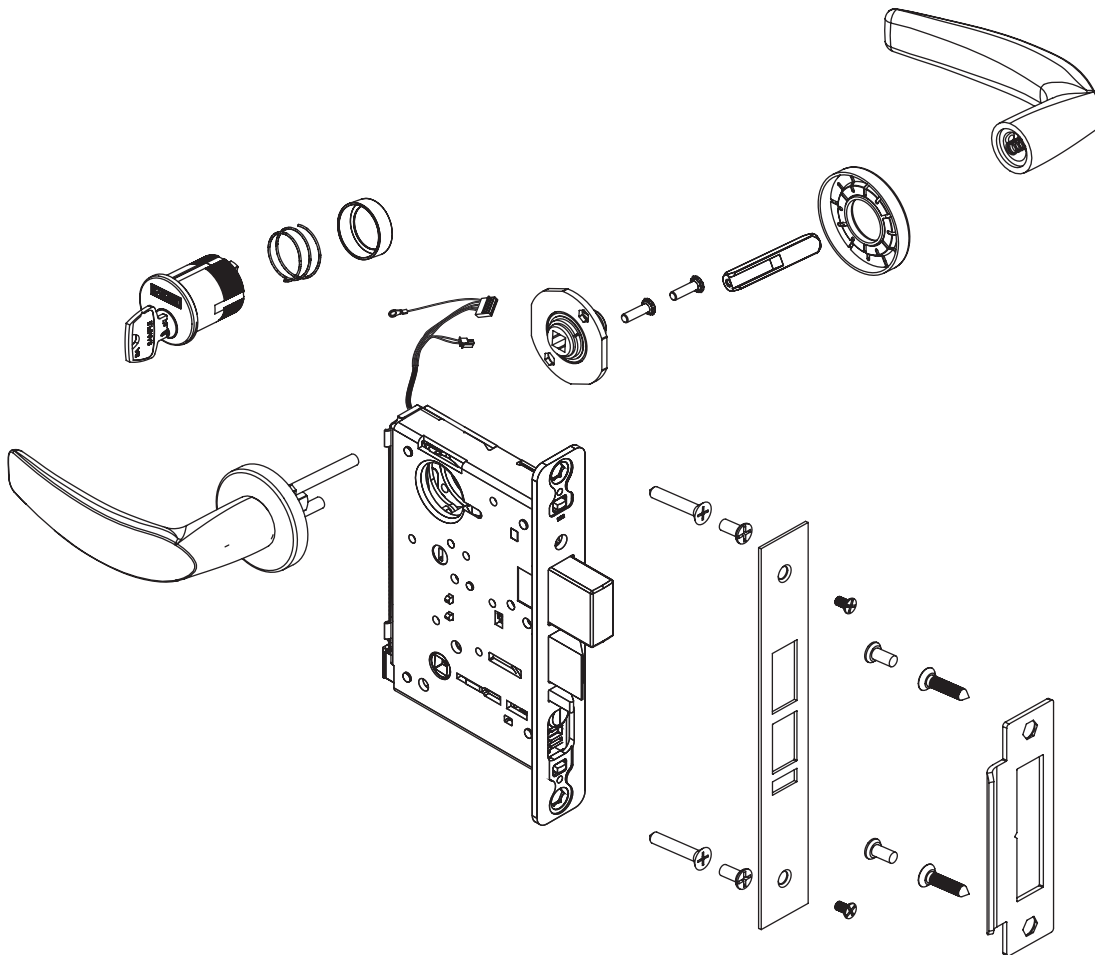
ITEM	PART #	DESCRIPTION	REQ.
1*	—	SN200/210 Reader & Harness Assembly (Wiegand/OSDP)	1
1A*	—	Signo Reader Back Plate	1
1B*	—	Signo Wiring Harness ONLY	
2	764F62M	MD/AD Screw Pack	1
3*	—	Fire Plate Packet	1
4A	765F44M FIN	Inside Escutcheon	1
4B	765F452	I/S MELR Escutcheon Assembly	1
5	—	WD/MD/AD Inside Trim Assembly	1
6	—	Outside Trim Assembly	1
7A	764F488	MD/AD Inner Chassis Assembly	1
		MD/AD Inner Chassis Assembly, Fire (12-)	
	764F508	MD/AD Monitoring Inner Chassis, Fire (53-/12-53-)	
7B	764F498	WD Inner Chassis Assembly (Not shown)	1
	764F518	WD Monitoring Inner Case (53-) (Not shown)	
8	764F538	Bottom Case	1
9A	—	MD/AD Top Rod and Bolt Assembly	1
9B	—	WD Top Rod and Bolt Assembly (Not shown)	1
10	764F558	Top Case Assembly	1
11	—	Bottom Rod and Bolt Assembly	1
12	766F942	Standard Plate (Rectangular) (Not shown)	2
	766F352	Sculpted Plate (Optional) (Not shown)	1
13	764F548	WD Top Case Bracket (Not shown)	1
14	764F577	Top Strike Pack (not shown)	1
	764F587	Bottom Strike Pack, Fire (A/B) (M107) (not shown)	
	764F567	Top and Bottom Strike Pack, STD (not shown)	
15	765F849	MELR Assembly	1
16	764F64M	WD Screw Pack (not shown)	1
17	763F918	Screw Pack, SE Series	1
		<i>Screw, FHUM-Torx Pin #6-32x3/8"</i>	1
		<i>Screw, FHUT-PH Self Drilling #8 Thread</i>	6
18	—	MELR Mounting Hardware	1
19	763F738	WD Mounting Hardware	1
		<i>Screw, FHUT-PH Self Drilling #8 Thread</i>	2
20	752F598	#3 - 48 x 1/8" Pan head Machine Screw (not shown)	4

* See Reader and Harness Assembly Options for specific part numbers

FE6600 Multi-Point Lock

SN Series

FE6600 Mortise



ITEM	PART #	DESCRIPTION	REQ.
—		Reference SN200/210 Catalog For Available Lever Styles	1
—		Reference SN200/210 Catalog For Available Rose Styles	1
Lock Body†	FE66608-SAF	Deadbolt, w/Key Override, Fail Safe	1
	FE66608-SEC	Deadbolt, w/Key Override, Fail Secure	1
	FE66609-SAF	Deadbolt, w/out Key Override, Fail Safe	1
	FE66609-SEC	Deadbolt, w/out Key Override, Fail Secure	1

For mechanical parts listing refer to FE6600 Parts Manual 45499

The ASSA ABLOY Group is the global leader in access solutions. Every day, we help billions of people experience a more open world.

ASSA ABLOY Opening Solutions leads the development within door openings and products for access solutions in homes, businesses and institutions. Our offering includes doors, frames, door and window hardware, mechanical and smart locks, access control and service.



For additional information, contact your
ASSA ABLOY Door Security Solutions
sales consultant or visit www.corbinruswin.com.

In U.S.
Corbin Russwin
225 Episcopal Road
Berlin, CT 06037
Phone: 800-543-3658
Fax: 800-447-6714
www.corbinruswin.com

In Canada
ASSA ABLOY Door
Security Solutions Canada
160 Four Valley Drive
Vaughan, Ontario
Canada L4K 4T9
Phone: 800-461-3007
Fax: 905-738-2478
www.assaabloy.ca

MicroShield®
ASSA ABLOY Group companies offer MicroShield®, an anti-microbial coating for door hardware. MicroShield uses proven silver ion-based technology from Agion®, a leading provider of antimicrobial solutions, to stem the spread of bacteria and other microbes.

MicroShield® is a trademark of the respective ASSA ABLOY Group company.



The Agion antimicrobial is not intended as a substitute for good hygiene. Coated products must still be cleaned to ensure the surfaces will be free of destructive microbes. ASSA ABLOY makes no representations or warranties, express or implied, as to the efficacy of the Agion antimicrobial. A copy of the Agion warranty is available upon request. Agion is a registered trademark of Agion Technologies, Inc., Wakefield, MA, USA.