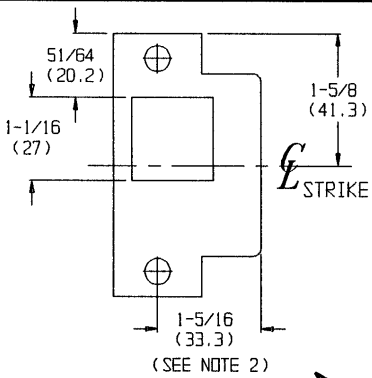


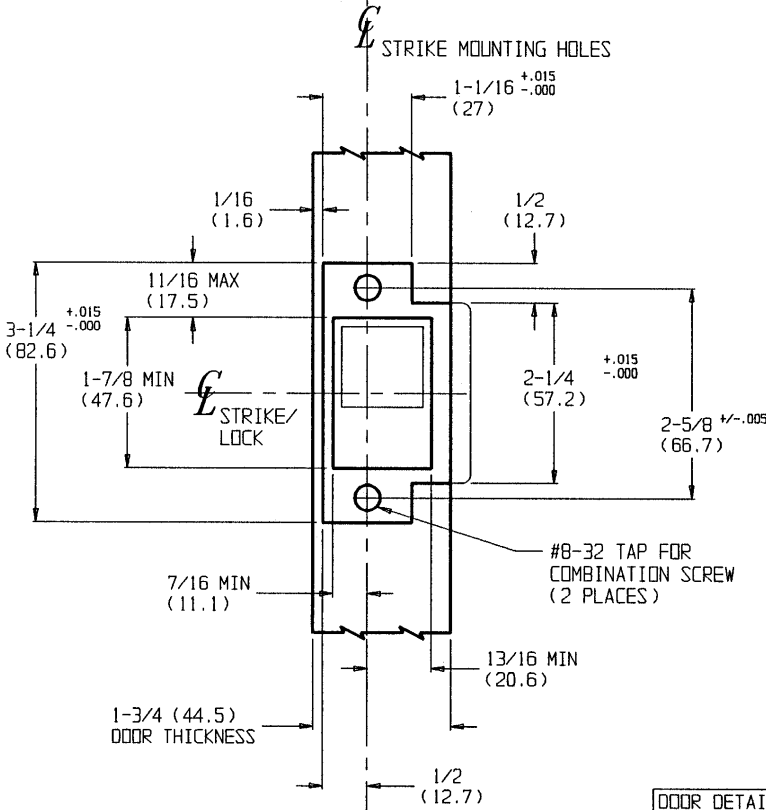
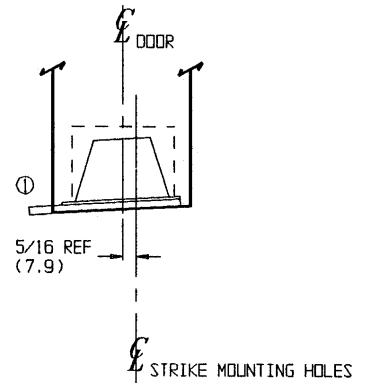
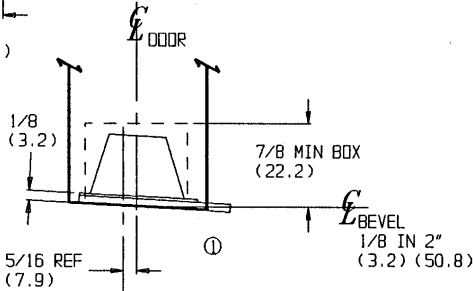
TEMPLATE CROSS REFERENCE

DESCRIPTION	TEMPLATE
UT5200 SERIES UNIT LOCK	T30495
610L44 ANSI STRIKE - DOUBLE DOORS	T30639

DOUBLE DOOR APPLICATIONS ONLY



STRIKE DETAIL



DOOR DETAILS

STRIKE PREP FOR INACTIVE DOOR WHEN USED WITH UNIT LOCK MOUNTED ON "LH" AND "RHR" BEVEL DOORS
PREP SAME AS "RH" AND "LHR" DOORS EXCEPT OPPOSITE

STRIKE PREP FOR INACTIVE DOOR WHEN USED WITH UNIT LOCK MOUNTED ON "RH" AND "LHR" BEVEL DOORS

- NOTES:
1. DIMENSIONS GIVEN IN INCHES AND (MM).
2. 1-5/16" STRIKE LIP SLITS 1-3/4" THICK DOOR.

TOLERANCES	
INCHES	(MM)
.005	(.127)
.015	(.381)

RESPONSIBILITY

Door and Frame Manufacturers are responsible for providing adequate construction or reinforcements for proper installation of hardware shown. All architectural builders hardware must be installed on properly reinforced doors and frames, regardless of the type, material, or method of construction.

SP136

B2L67
OPTIONAL BOX STRIKE
FOR UT5200 SERIES
DOUBLE DOOR APPLICATION



DO NOT SCALE DRAWING			
SUPERSEDES	T30499	DR.	KJ
DATE	1-98	TEMPLATE NUMBER	T30499-1