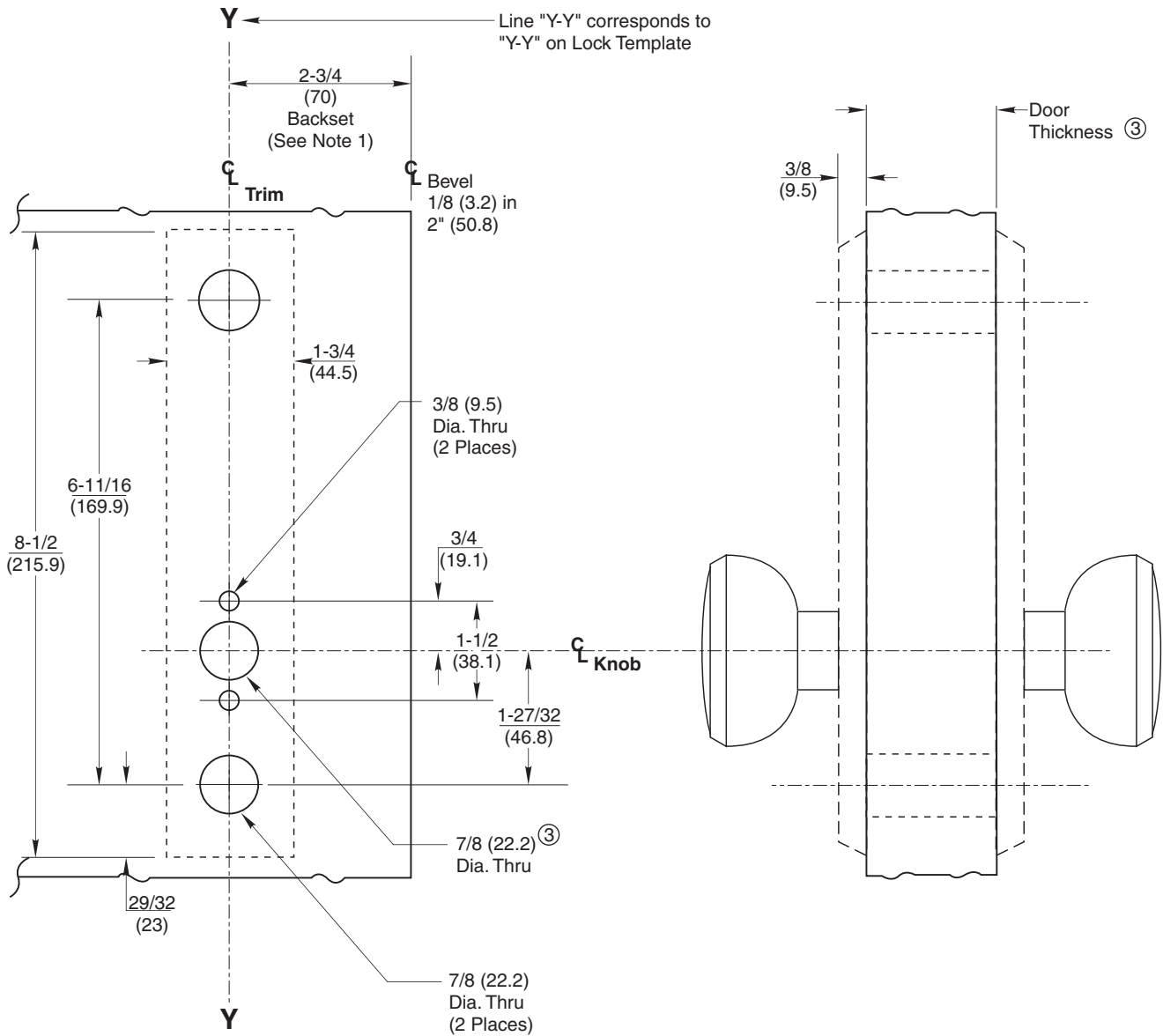


TEMPLATE CROSS REFERENCE

Description	Template
ML2000HS, ML2200HS Series Mortise Lock	T30604

Notes:

1. Backset is measured from centerline of bevel which is centerpoint of door thickness.
2. Refer to mortise lock template for cylinder and turnpiece preps when required.
3. Dimensions given in inches and (mm).



RESPONSIBILITY

Door and Frame Manufacturers are responsible for providing adequate construction or reinforcements for proper installation of hardware shown. All architectural builders hardware must be installed on properly reinforced doors and frames, regardless of the type, material, or method of construction.

SST

Mortise Lock Security Trim

Corbin Russwin

ASSA ABLOY

www.corbinruswin.com

SUPERSEDES	T30573-2	DO NOT SCALE DRAWING
TEMPLATE NUMBER	T30573-3	DATE 07-14