

# Installation Instructions

## ML2000 Series Mortise Locks with Sectional/Rose Trim

### Motorized Electric Latch Retraction (MELR)



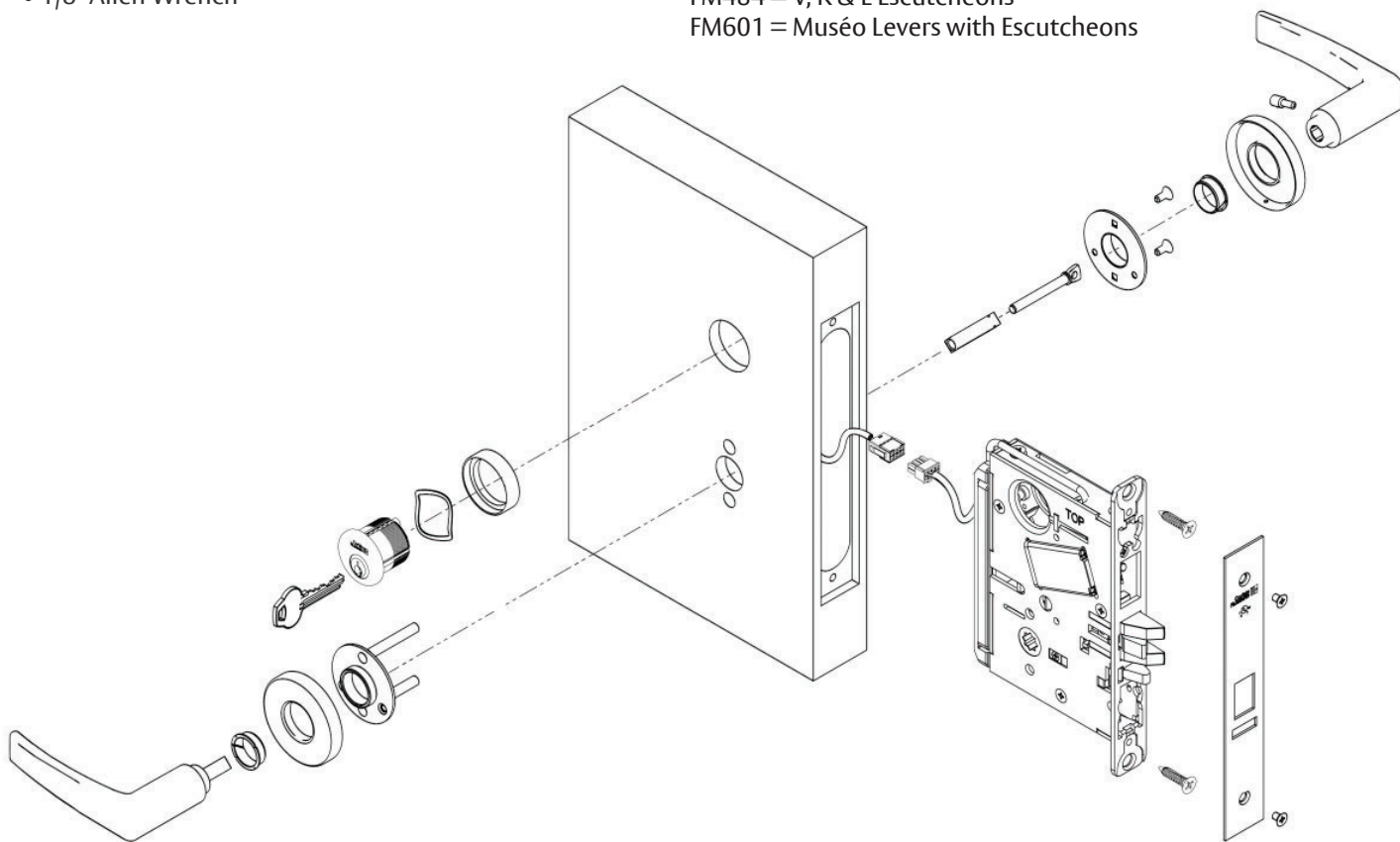
The accuracy of the door preparation is critical for proper functioning and security of this lock. Misalignment can cause premature wear and a lessening of security.

#### Tools Required:

- #2 and #3 Phillips screwdrivers
- 1/8" Allen Wrench

For escutcheon trim installation, please refer to the following instruction documents:

FM483 = M, N & P Escutcheons  
FM484 = V, R & L Escutcheons  
FM601 = Muséo Levers with Escutcheons



#### **⚠ WARNING**

This product can expose you to lead which is known to the state of California to cause cancer and birth defects or other reproductive harm. For more information go to [www.P65warnings.ca.gov](http://www.P65warnings.ca.gov).

#### **⚠ WARNING**

Changes or modifications to this unit, not expressly approved by the party responsible for compliance could void the user's authority to operate the equipment.

#### **⚠ WARNING**

Attention Installer: Improper installation may result in damage to the product and void the factory warranty.

For installation assistance contact Corbin Russwin  
1-800-810-WIRE (9473) • [techsupport.corbinrusswin@assaabloy.com](mailto:techsupport.corbinrusswin@assaabloy.com)

Copyright © 2024, ASSA ABLOY Access and Egress Hardware Group, Inc. All rights reserved. Reproduction in whole or in part without the express written permission of ASSA ABLOY Access and Egress Hardware Group, Inc. is prohibited.

FM804 05/24

Experience a safer  
and more open world

# ML2000 Series Mortise Locks with Sectional / Rose Trim



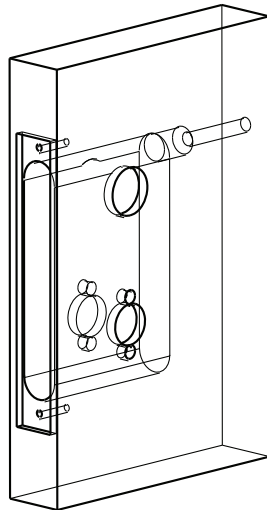
ASSA ABLOY

## Motorized Electric Latch Retraction (MELR)

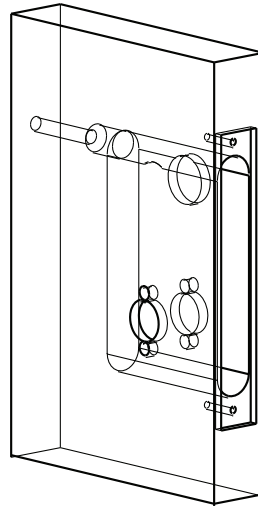
### Installation Instructions

# 1 Door Preparation

Prep door according to supplied door marker. For door manufacturer templates, visit [www.corbinruswin.com](http://www.corbinruswin.com).



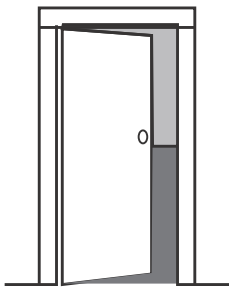
Inside Face of Door



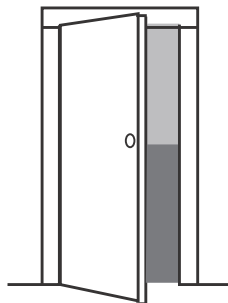
Outside Face of Door

# 2 Handing

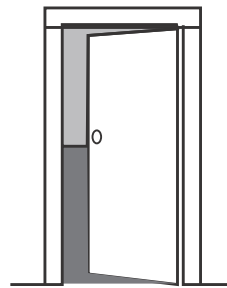
Verify hand and bevel of door. Illustrations shown are as viewed from the outside or secure side of opening.



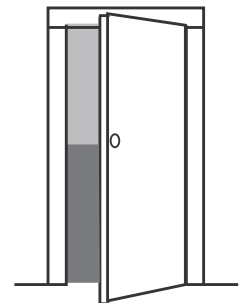
Left Hand  
Hinges Left.  
Open Inward.  
"LH"



Left Hand  
Reverse Bevel  
Hinges Left.  
Open Outward  
"LHRB"



Right Hand  
Hinges Right.  
Open Inward.  
"RH"



Right Hand  
Reverse Bevel  
Hinges Right.  
Open Outward  
"RHRB"

For installation assistance contact Corbin Russwin  
1-800-810-WIRE (9473) • [techsupport.corbinruswin@assaabloy.com](mailto:techsupport.corbinruswin@assaabloy.com)

Copyright © 2024, ASSA ABLOY Access and Egress Hardware Group, Inc. All rights reserved.  
Reproduction in whole or in part without the express written permission of ASSA ABLOY Access and Egress Hardware Group, Inc. is prohibited.

FM804 05/24

# ML2000 Series Mortise Locks with Sectional / Rose Trim



ASSA ABLOY

## Motorized Electric Latch Retraction (MELR)

### Installation Instructions

### 3 Latch Handing Instructions

1. Move the Red locking screw to side of lock-body being locked (Figure 1)
2. Push in latch partially then depress catch plate with screwdriver (Figure 1)

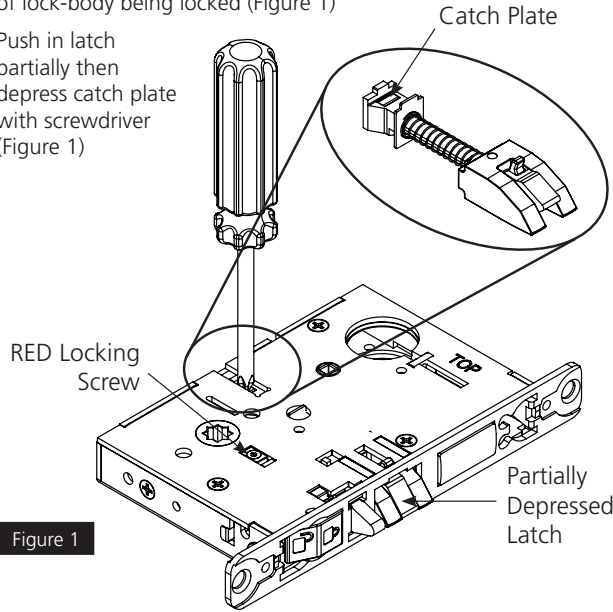


Figure 1

3. Pull latch out of lock-body and rotate 180 degrees (Figure 2)

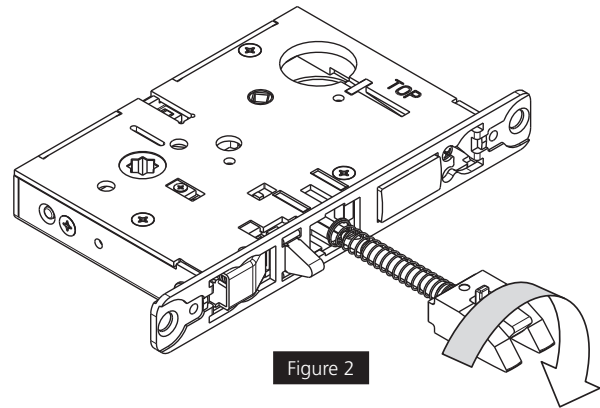


Figure 2

4. Push in latch until tail-piece hits back of case (Figure 3)

**Note: Make sure catch plate is even with top surface and locking pin is not projected (Figure 4). If not, depress catch plate with screwdriver and repeat step 4.**

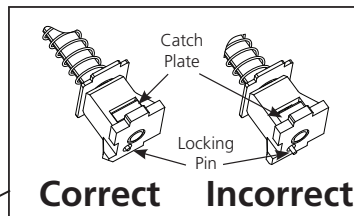


Figure 4

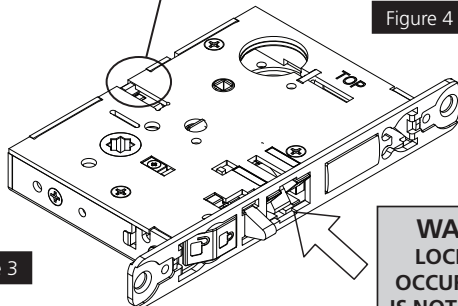


Figure 3

**WARNING: LOCK-IN CAN OCCUR IF LATCH IS NOT PROPERLY INSTALLED**

5. Rotate lock front to match bevel of door as shown (Figure 5)

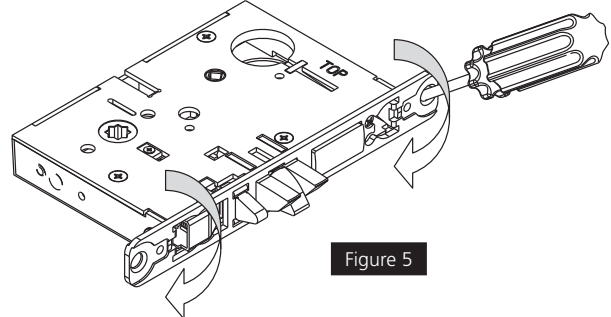


Figure 5

For installation assistance contact Corbin Russwin  
1-800-810-WIRE (9473) • techsupport.corbinrusswin@assaabloy.com

Copyright © 2024, ASSA ABLOY Access and Egress Hardware Group, Inc. All rights reserved. Reproduction in whole or in part without the express written permission of ASSA ABLOY Access and Egress Hardware Group, Inc. is prohibited.

FM804 05/24

# ML2000 Series Mortise Locks with Sectional / Rose Trim



ASSA ABLOY

## Motorized Electric Latch Retraction (MELR)

### Installation Instructions

#### 5 Install Lock Body into Door

1. Plug mortise lock harness into ElectroLynx® harness in door (Figure 6).



Important: Door must remain open during installation. Use door stop.

2. Install, but do not tighten two #12 x 1" combination screws through lock body (Figure 6).

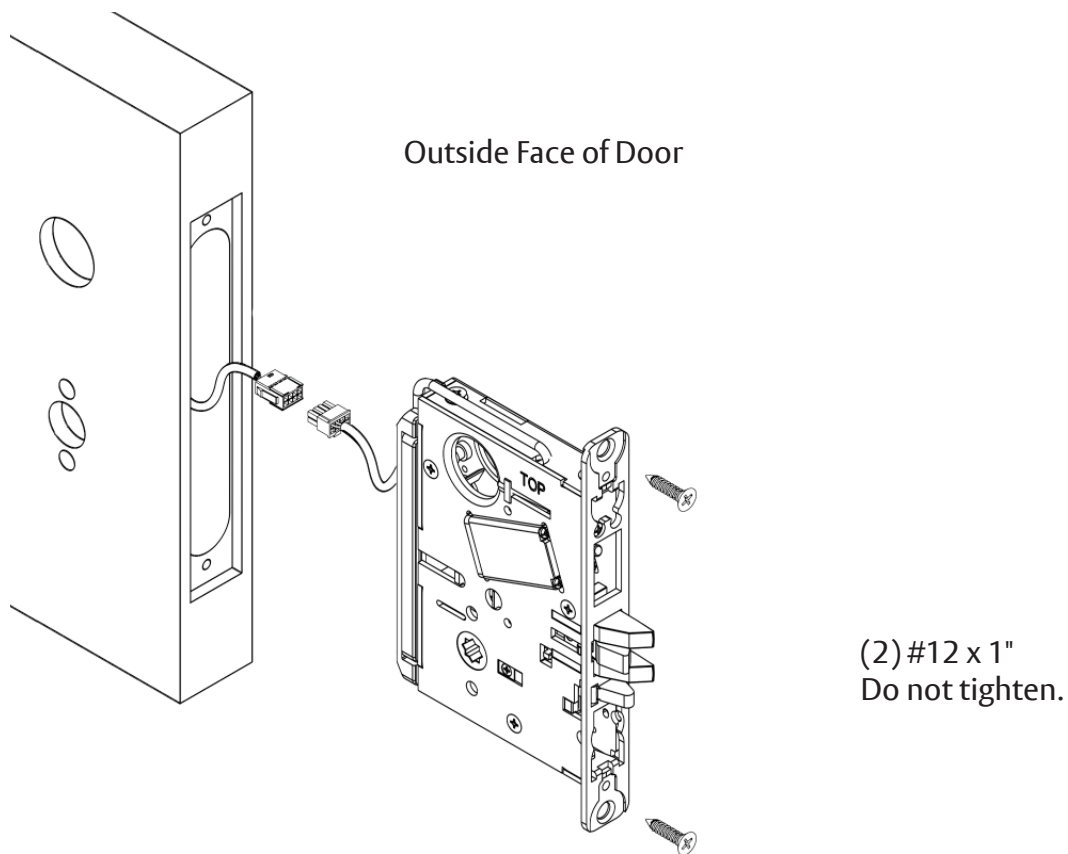


Figure 6

For installation assistance contact Corbin Russwin  
1-800-810-WIRE (9473) • techsupport.corbinrusswin@assaabloy.com

Copyright © 2024, ASSA ABLOY Access and Egress Hardware Group, Inc. All rights reserved.  
Reproduction in whole or in part without the express written permission of ASSA ABLOY Access and Egress Hardware Group, Inc. is prohibited.

FM804 05/24

# ML2000 Series Mortise Locks with Sectional / Rose Trim



ASSA ABLOY

## Motorized Electric Latch Retraction (MELR)

### Installation Instructions

#### 6 Install cylinder with wave spring and collar, if required



NOTE: Cylinder must be oriented correctly (Figure 7). Pull key slightly out of cylinder to help thread into lockbody.

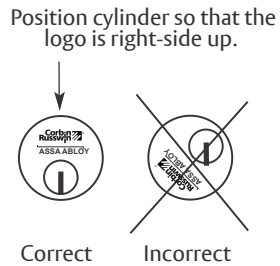


Figure 7

1. Secure with cylinder set screw (Figure 8).
2. Tighten lock mounting screws.

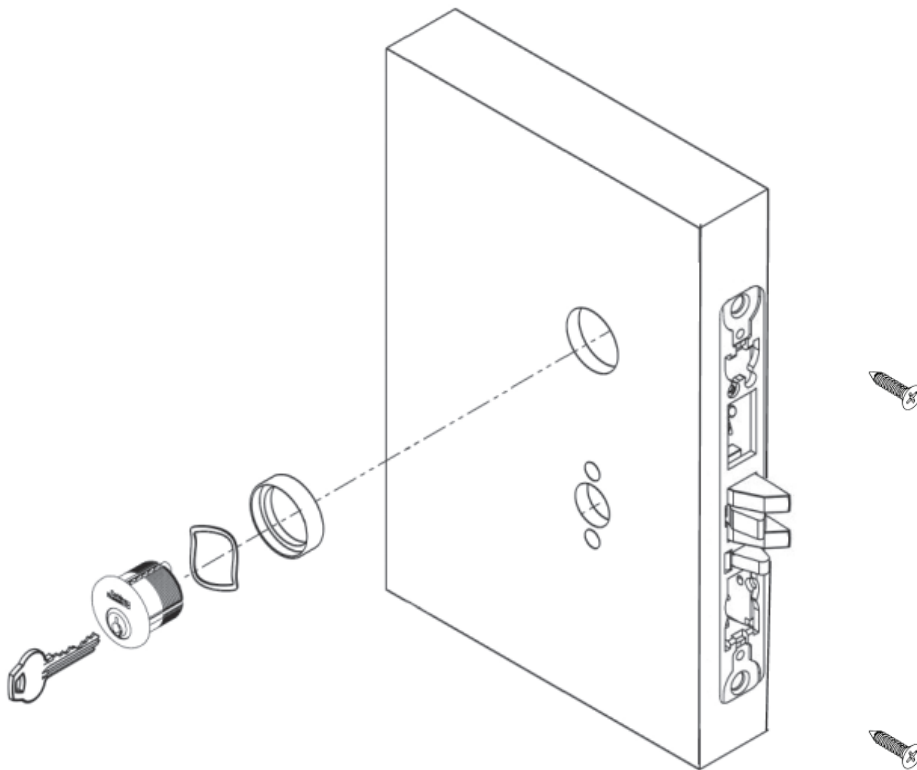


Figure 8

For installation assistance contact Corbin Russwin  
1-800-810-WIRE (9473) • techsupport.corbinrusswin@assaabloy.com

Copyright © 2024, ASSA ABLOY Access and Egress Hardware Group, Inc. All rights reserved.  
Reproduction in whole or in part without the express written permission of ASSA ABLOY Access and Egress Hardware Group, Inc. is prohibited.

FM804 05/24

# ML2000 Series Mortise Locks with Sectional / Rose Trim



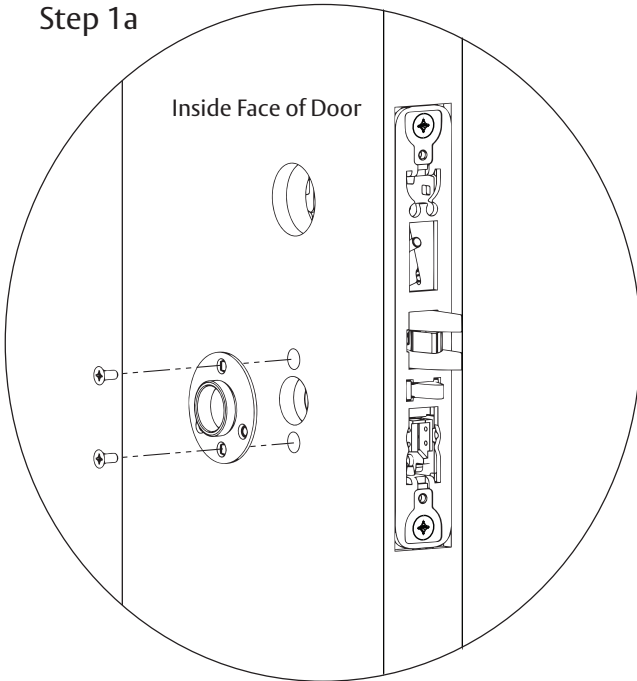
ASSA ABLOY

## Motorized Electric Latch Retraction (MELR)

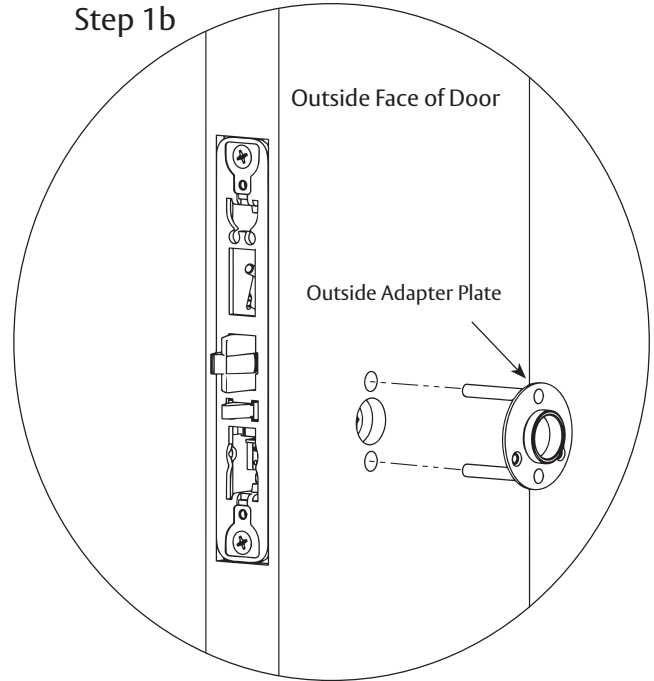
### Installation Instructions

# 7 Install Standard Lever Trim (See Section 8 for Museo Trim.)

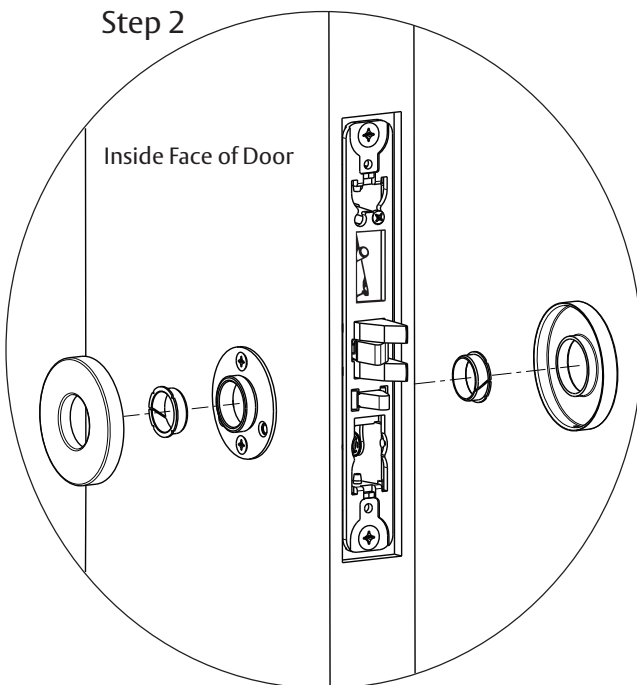
Step 1a



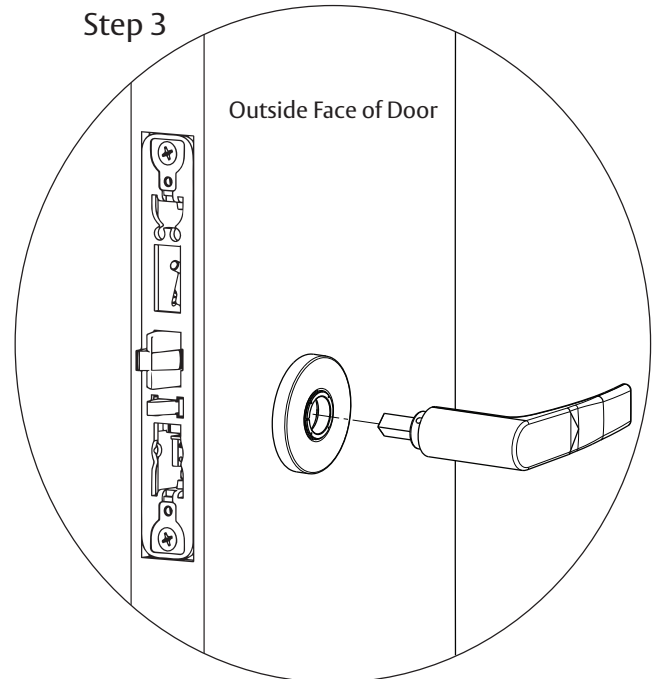
Step 1b



Step 2



Step 3



For installation assistance contact Corbin Russwin  
1-800-810-WIRE (9473) • techsupport.corbinrusswin@assaabloy.com

Copyright © 2024, ASSA ABLOY Access and Egress Hardware Group, Inc. All rights reserved.  
Reproduction in whole or in part without the express written permission of ASSA ABLOY Access and Egress Hardware Group, Inc. is prohibited.

FM804 05/24

# ML2000 Series Mortise Locks with Sectional / Rose Trim



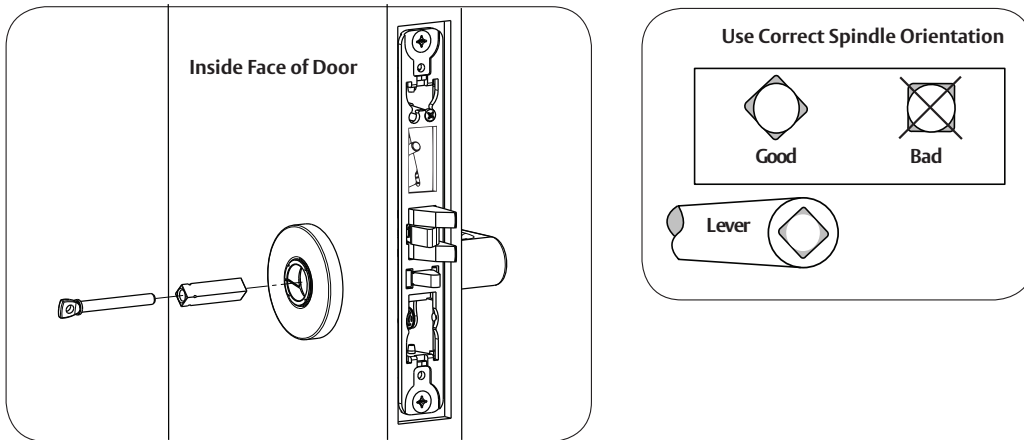
ASSA ABLOY

## Motorized Electric Latch Retraction (MELR)

### Installation Instructions

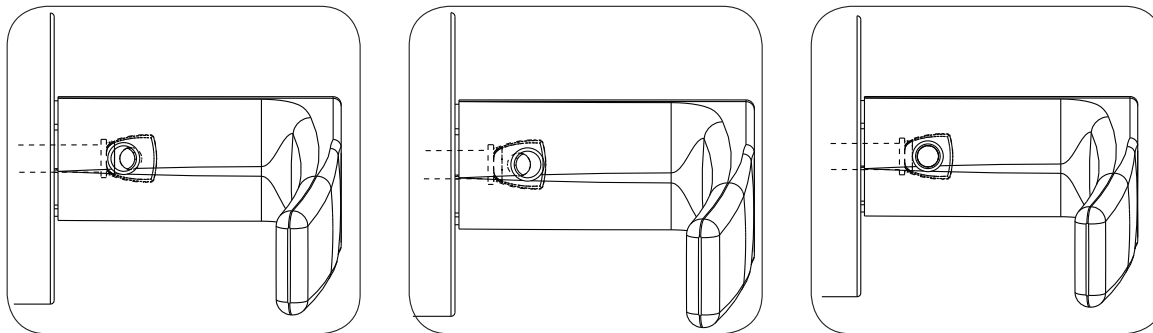
# 7 Install Standard Lever Trim, continued

#### Step 4



#### Step 5

Align adjustment bolt with threaded hole in lever



Adjustment bolt needs to be threaded in farther.

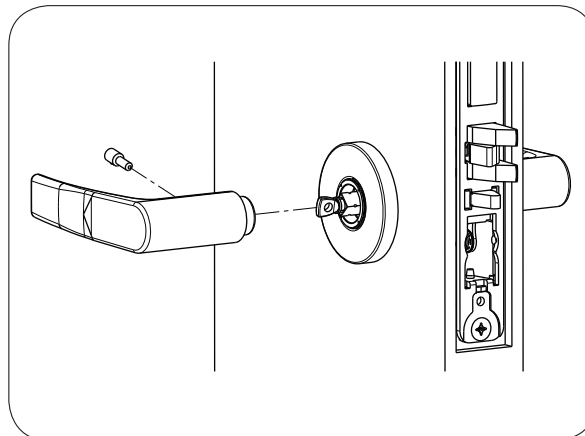
Adjustment bolt needs to be unthreaded.

Adjustment bolt fully aligned.

#### Step 6

##### Notes:

- Unthread Adjustment Bolt approximately four turns for a good starting point (After being fully tightened)
- Make sure O/S lever is fully inserted into adapter plate before aligning adjustment bolt.



For installation assistance contact Corbin Russwin  
1-800-810-WIRE (9473) • techsupport.corbinrusswin@assaabloy.com

Copyright © 2024, ASSA ABLOY Access and Egress Hardware Group, Inc. All rights reserved.  
Reproduction in whole or in part without the express written permission of ASSA ABLOY Access and Egress Hardware Group, Inc. is prohibited.

FM804 05/24

Experience a safer  
and more open world

# ML2000 Series Mortise Locks with Sectional / Rose Trim



## Motorized Electric Latch Retraction (MELR)

### Installation Instructions

#### 8 Install Museo Trim

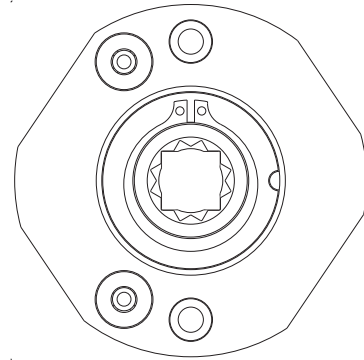
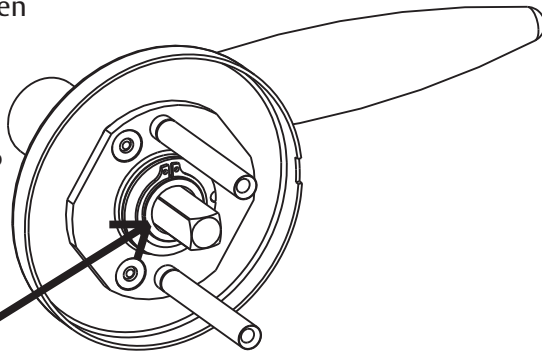
1.)

Thread adapter plate hub into lever and fully tighten

Align adapter plate hub with square hole in lever; keeping hub as tight as possible

NOTE: Spindle can be used to help thread hub into lever

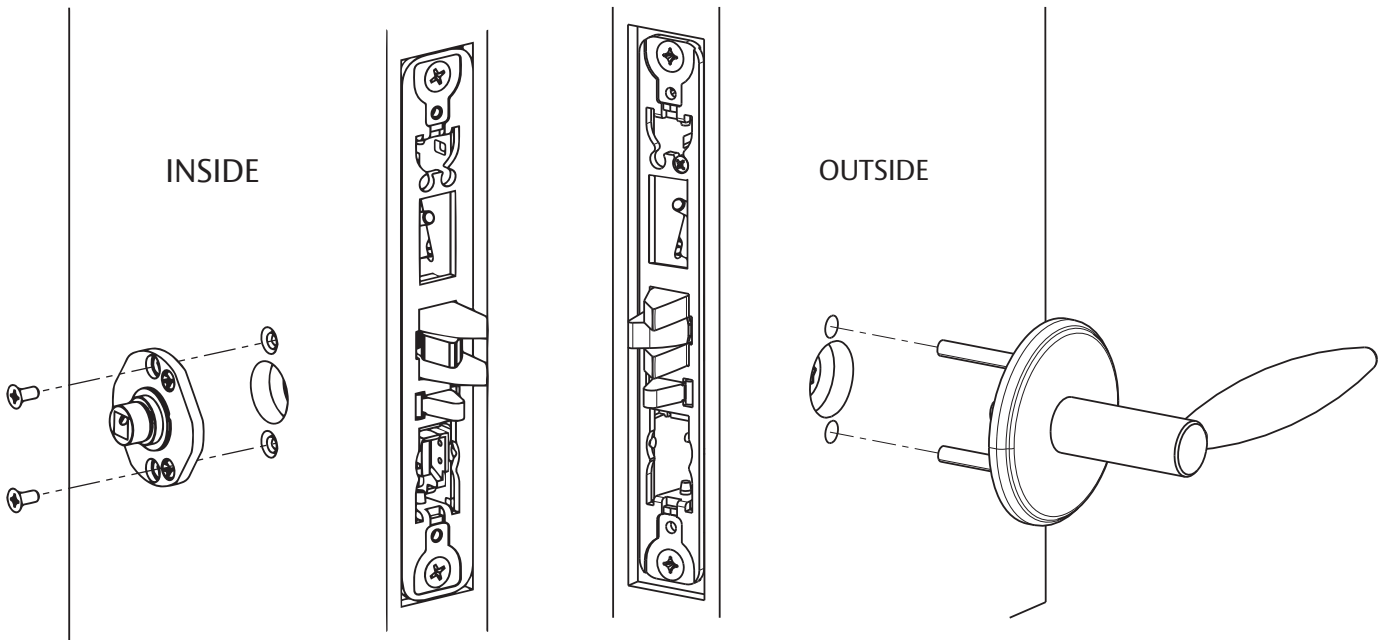
Adapter Plate Hub



2.)

INSIDE

OUTSIDE



For installation assistance contact Corbin Russwin  
1-800-810-WIRE (9473) • techsupport.corbinrusswin@assaabloy.com

Copyright © 2024, ASSA ABLOY Access and Egress Hardware Group, Inc. All rights reserved.  
Reproduction in whole or in part without the express written permission of ASSA ABLOY Access and Egress Hardware Group, Inc. is prohibited.

FM804 05/24



# ML2000 Series Mortise Locks with Sectional / Rose Trim

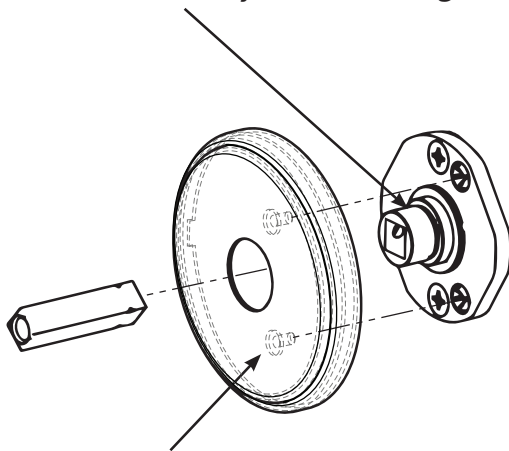
## Motorized Electric Latch Retraction (MELR)

### Installation Instructions

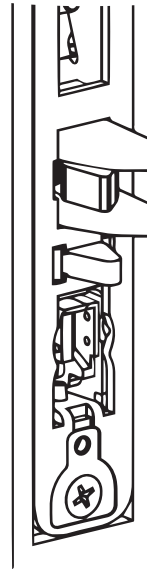


#### 8 Install Museo Trim, continued

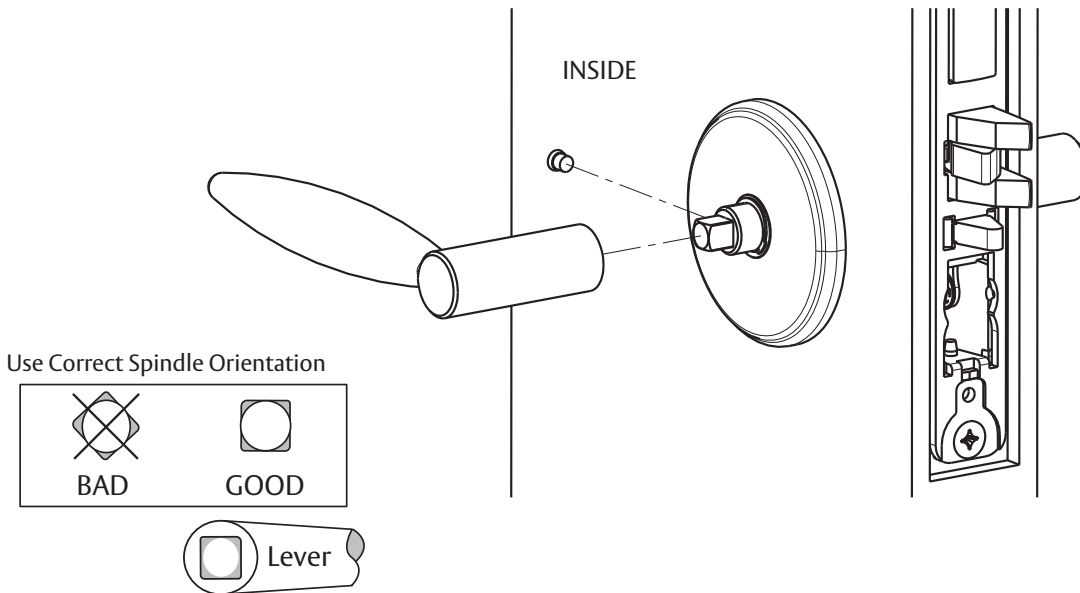
3.) Set screw in hub faces away from door edge.



Align studs on rose with bushings in adapter plate



4.)



# ML2000 Series Mortise Locks with Sectional / Rose Trim



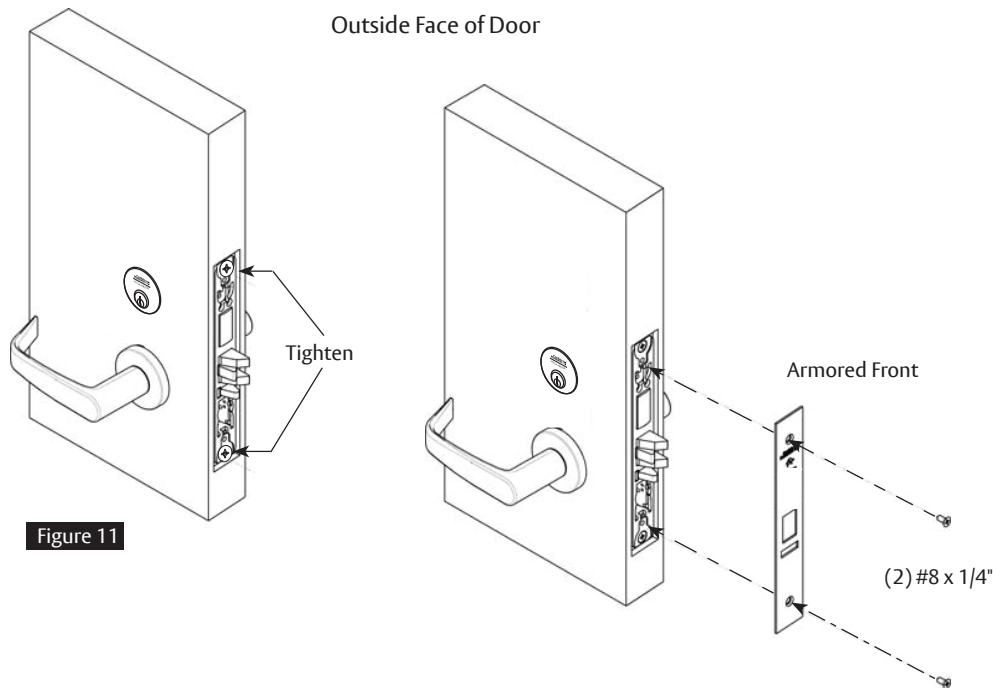
ASSA ABLOY

## Motorized Electric Latch Retraction (MELR)

### Installation Instructions

#### 9 Install Armored Front

1. Tighten (2) screws through lock body.
2. Attach armored front with two #8 x 1/4" screws (Figure 11).



#### 10 Mechanical Operational Check

For mortise locks with cylinders:

1. Insert key into cylinder and rotate: There should be no friction against lock case, wire harness or any other obstructions.
2. The key will retract the latch: Key should rotate freely.
3. Inside lever: Ensure it retracts the latch.
4. Close door: Ensure latch fully extends and does not bind.

For installation assistance contact Corbin Russwin  
1-800-810-WIRE (9473) • techsupport.corbinrusswin@assaabloy.com

Copyright © 2024, ASSA ABLOY Access and Egress Hardware Group, Inc. All rights reserved.  
Reproduction in whole or in part without the express written permission of ASSA ABLOY Access and Egress Hardware Group, Inc. is prohibited.

FM804 05/24

# ML2000 Series Mortise Locks with Sectional / Rose Trim



ASSA ABLOY

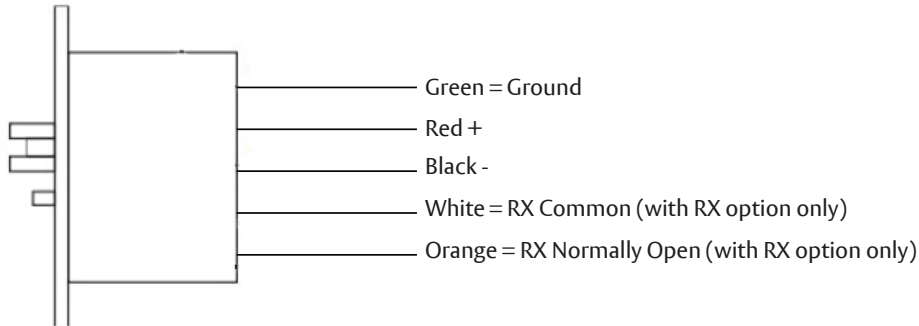
## Motorized Electric Latch Retraction (MELR)

### Installation Instructions

# 11 Wiring Diagram - Lock Schematic



Check polarity. Verify + (red) wire. For assistance, call 800-810-WIRE.

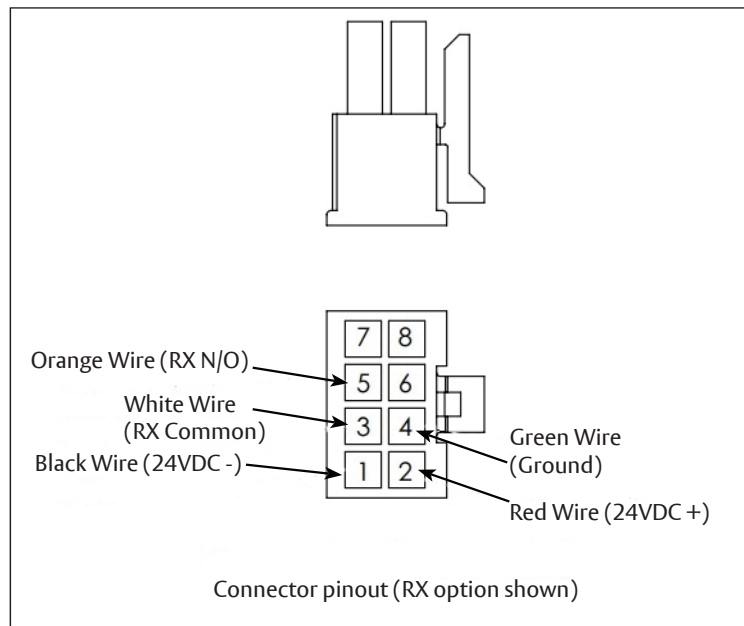


## Electrical Specifications

- Voltage: 24 VDC
- Operating Current: 700mA
- Hold Current: 50mA
- RX Switch: 24 VDC Max, 1 kΩ resistive minimum, 24mA Max

### Notes:

- The minimum permissible wire size to be used shall not be less than 26 AWG.
- Shall be powered by a UL294 and ULC-60839 Class 2 Power Limited power supply or Listed Control units.
- Wiring methods shall be in accordance with the National Electrical Code (ANSI/NFPA70), CSA 22.1, Canadian Electrical Code (CEC), Part I, Safety Standard for Electrical Installations, local codes and the authorities having jurisdiction.
- The system shall not be installed unless permitted by the local authority having jurisdiction and shall not interfere with the operation of listed panic hardware.
- ULC-60839-11-1 - Grade 1 and Environmental class: Indoor Use.
- Endurance Level IV, Line Security Level I, Attack Level I, Power Standby Level I.



For installation assistance contact Corbin Russwin  
1-800-810-WIRE (9473) • techsupport.corbinrusswin@assaabloy.com

Copyright © 2024, ASSA ABLOY Access and Egress Hardware Group, Inc. All rights reserved.  
Reproduction in whole or in part without the express written permission of ASSA ABLOY Access and Egress Hardware Group, Inc. is prohibited.

FM804 05/24

# ML2000 Series Mortise Locks with Sectional / Rose Trim

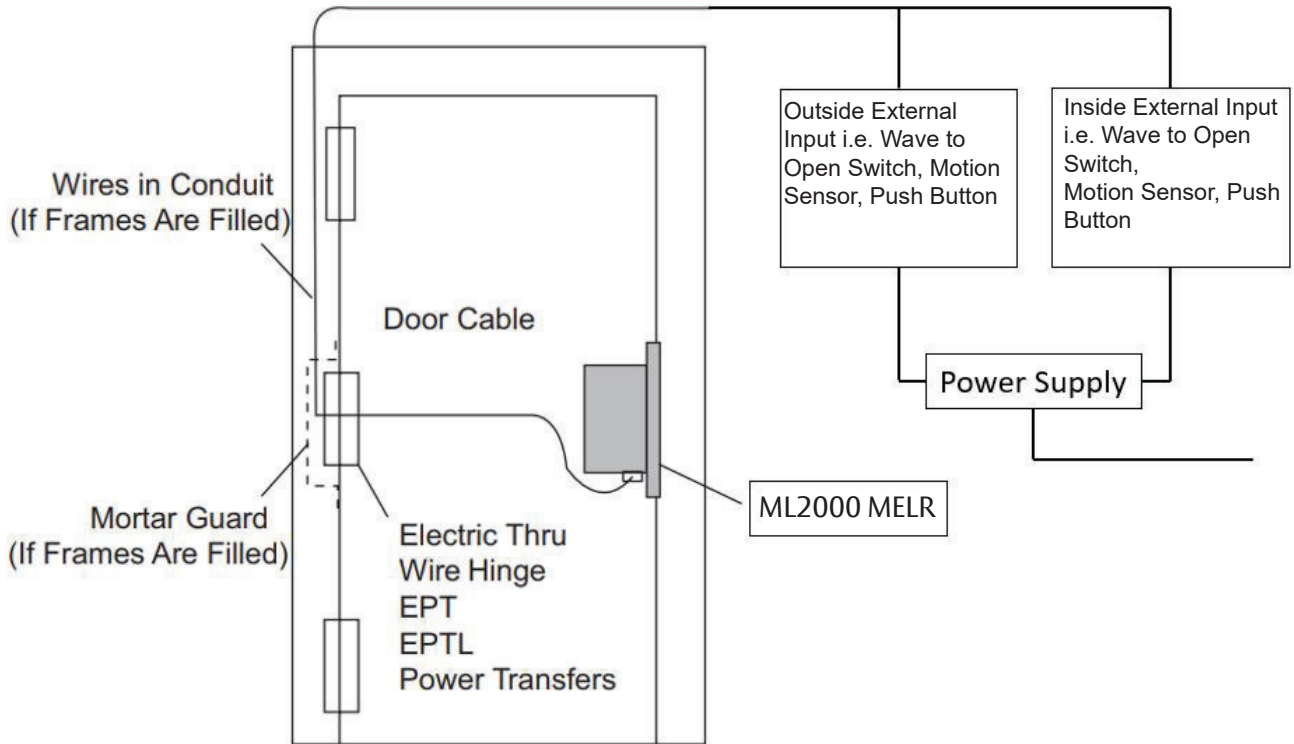


ASSA ABLOY

## Motorized Electric Latch Retraction (MELR)

### Installation Instructions

# 12 Wiring Diagram - Simple Latch Retraction



Operation: Activating inside or outside external input will retract latchbolt. Latchbolt remains retracted until power off.

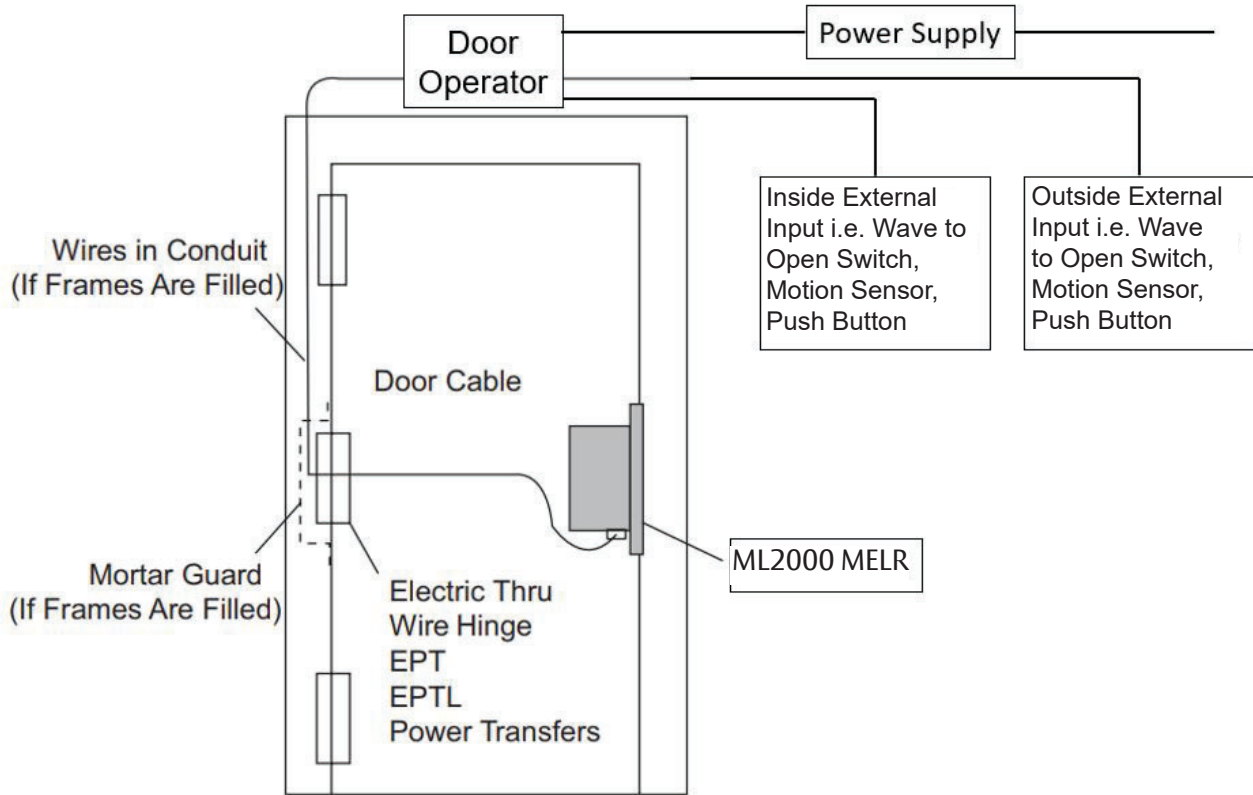
# ML2000 Series Mortise Locks with Sectional / Rose Trim



## Motorized Electric Latch Retraction (MELR)

### Installation Instructions

# 13 Wiring Diagram - Automatic Door



Operation: Activating inside or outside external input will retract latchbolt and door operator will open the door. Latchbolt remains retracted until power off.

# ML2000 Series Mortise Locks with Sectional / Rose Trim

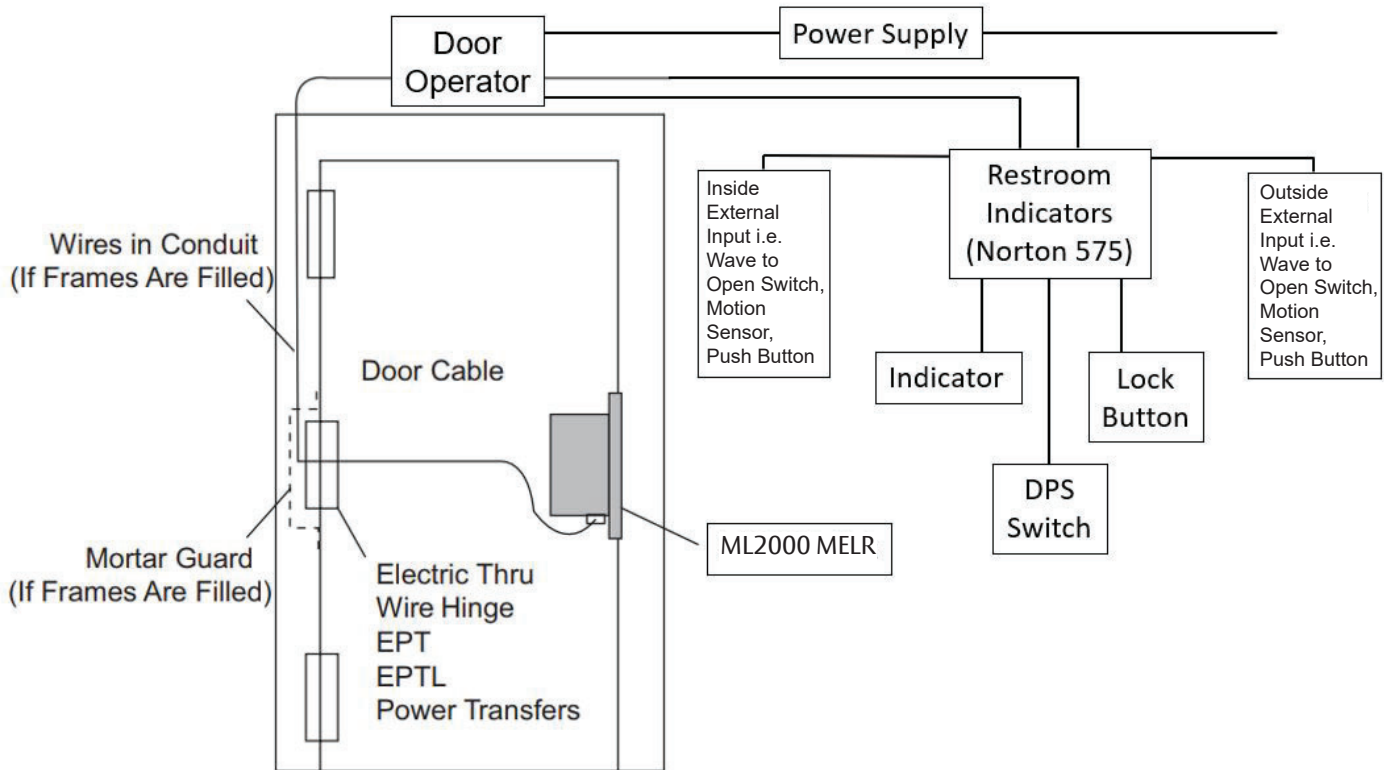


ASSA ABLOY

## Motorized Electric Latch Retraction (MELR)

### Installation Instructions

# 14 Wiring Diagram - Restroom Privacy



Operation: Activating inside or outside external input will retract latchbolt and door operator will open the door, unless outside external input is disabled by lock button. Indicator will illuminate when outside external input is disabled. Latchbolt remains retracted until power off.

Consult factory for electrical system layouts, riser and wiring diagrams.

# ML2000 Series Mortise Locks with Sectional / Rose Trim



ASSA ABLOY

## Motorized Electric Latch Retraction (MELR)

### Installation Instructions

## 15 Electrical Operational Check

Latch retraction check:

1. Turn power ON.
2. Send latch retraction signal from control panel.
3. Verify latch retracts and re-projects at desired intervals.



For installation assistance contact Corbin Russwin  
1-800-810-WIRE (9473) • [techsupport.corbinrusswin@assaabloy.com](mailto:techsupport.corbinrusswin@assaabloy.com)

Copyright © 2024, ASSA ABLOY Access and Egress Hardware Group, Inc. All rights reserved.  
Reproduction in whole or in part without the express written permission of ASSA ABLOY Access  
and Egress Hardware Group, Inc. is prohibited.

FM804 05/24

Experience a safer  
and more open world