

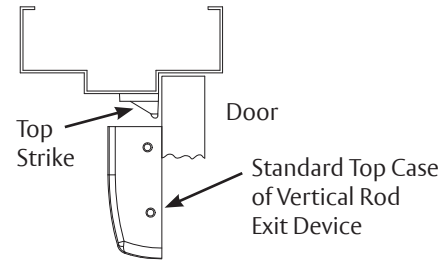
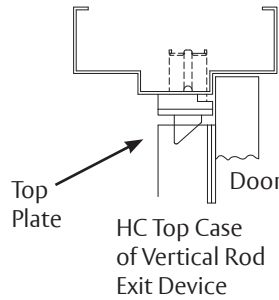
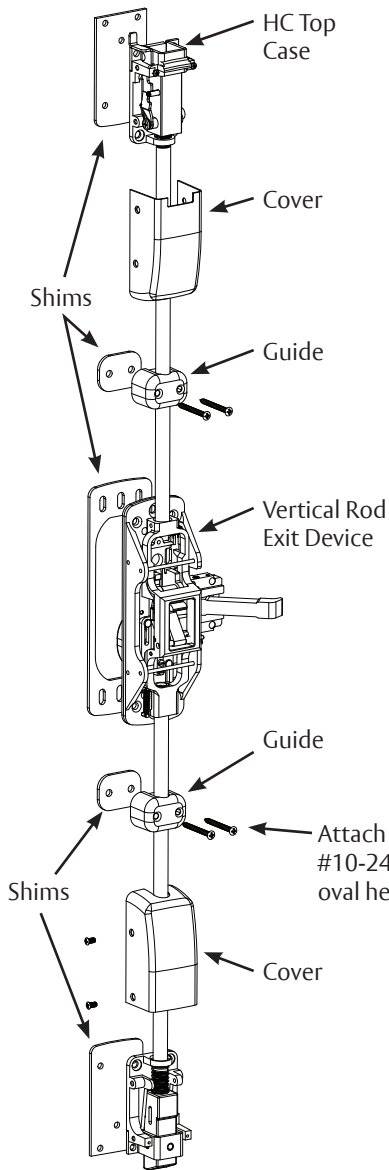
Installation Instructions



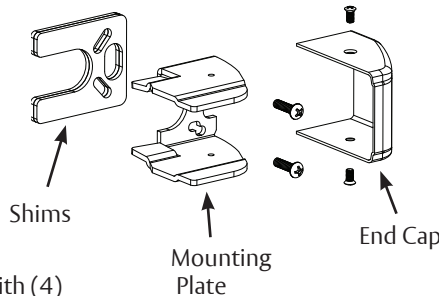
ASSA ABLOY

(Flush or Overlapping) for doors with glass bead

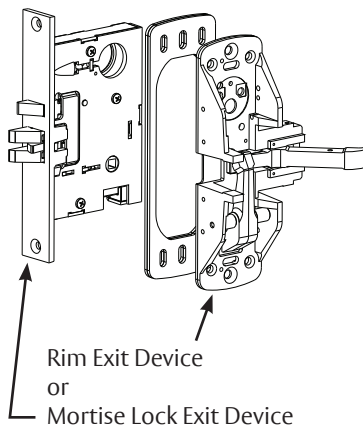
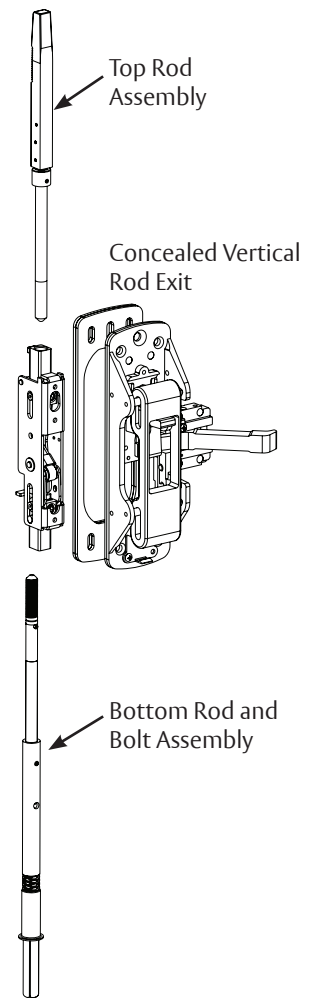
PED5000 Series Exit Device with Shim Kit



1. Place shim plates under the exit device as illustrated (1/4" Max - not to exceed 2 plates).
2. Use screws provided in the screw pack to attach the exit device and shims to the door.



Attach guides with (4) #10-24 x 1 1/2" Phillips oval head machine screws.



⚠ WARNING

This product can expose you to lead which is known to the state of California to cause cancer and birth defects or other reproductive harm. For more information go to www.P65warnings.ca.gov.

For installation assistance contact Corbin Russwin
1-800-543-3658 • techsupport.corbinrusswin@assaabloy.com

FM624 01/23