

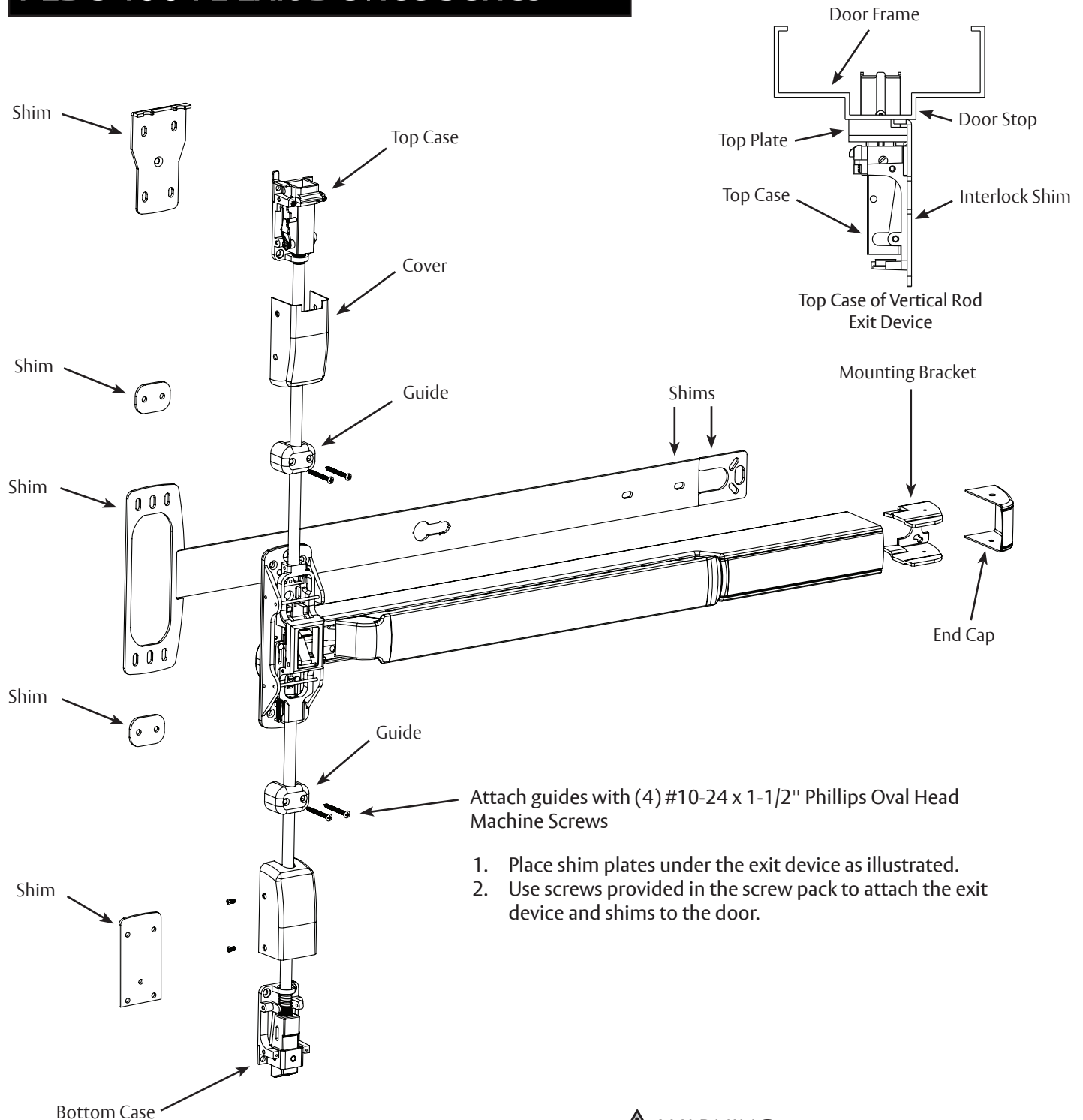
Installation Instructions



ASSA ABLOY

Shim Kit

PED5400 FE Exit Device Series



1. Place shim plates under the exit device as illustrated.
2. Use screws provided in the screw pack to attach the exit device and shims to the door.

WARNING

This product can expose you to lead which is known to the state of California to cause cancer and birth defects or other reproductive harm. For more information go to www.P65warnings.ca.gov.

FM626 01/23

experience a safer
and more open world

For installation assistance contact Corbin Russwin
1-800-543-3658 • techsupport.corbinrusswin@assaabloy.com

Copyright © 2023, ASSA ABLOY Access and Egress Hardware Group, Inc. All rights reserved. Reproduction in whole or in part without the express written permission of ASSA ABLOY Access and Egress Hardware Group, Inc. is prohibited.