

FE6600 and BL6600 Series

Standard Levers

Multi-Point Lock



 **WARNING**

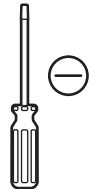
This product can expose you to lead which is known to the state of California to cause cancer and birth defects or other reproductive harm. For more information go to www.P65warnings.ca.gov.

TOC	Table of Contents
1	Tools Required2
2	Package Contents3
3	Installation4
a	Change Hand of Lock4
b	Change Hand of Latch4
c	FE6600 and BL6600 Series Multi-Point Locks5
d	CE, RE1, RE3, L and LW Escutcheons6
e	RE2 and RE4 Escutcheons6
f	N Escutcheons7
g	M Security Escutcheons7

1 Tools Required



#2 and #3 Phillips Screwdrivers



Flat Blade Screwdriver



1/8" Allen Wrench

2

Package Contents

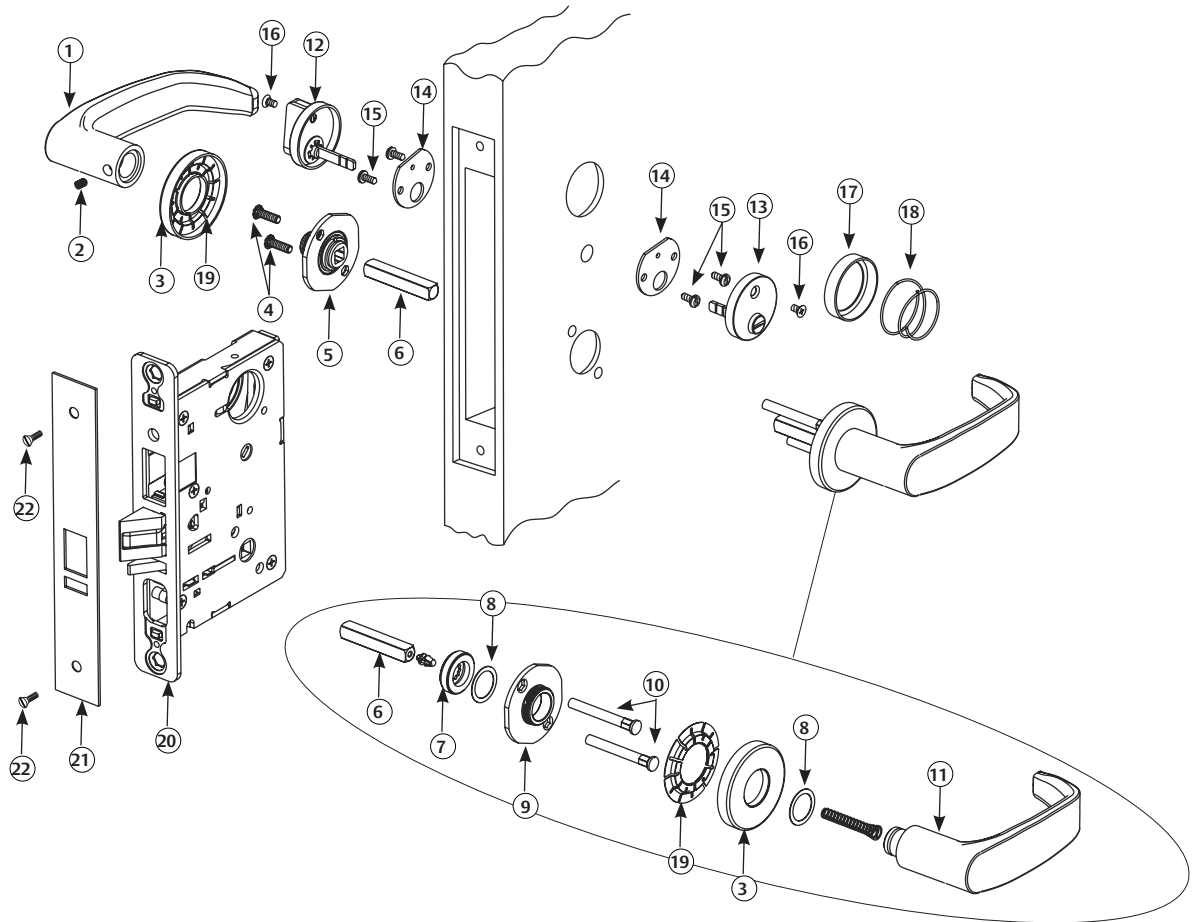


Figure 1

Figure 1	Description	Qty.	Figure 1	Description	Qty.
1	Inside Lever Handle - consult factory	1	12	Turn Lever Assembly (130KB design)	-
2	Handle Set Screw 1/4-28 UNF	1	13	Emergency Button Assembly (184KB)	2
3	Rose - LN design	2	14	Backplate	1
4	Machine Screw #8-32 x 5/8"	2	15	Machine Screw (#6-32 x 3/8")	2
5	Inside Adapter and Plate Assembly	2	16	Machine Screw (#6-32 x 1/4")	-
6	Spindle	1	17	KB Cylinder Rosset (for 8200)	1
7	Cap Nut	1	18	Compression Spring	-
8	Washer	2	19	Non-loosening Wave Spring	-
9	Adapter and Plate Assembly (LN design)	1	20	Lockbody	1
10	Mounting Post	2	21	Outside Front	1
11	Outside Lever Handle - consult factory	1	22	Machine Screw (#8-32 x 1/4")	2

Note:

All trim components vary by function number. Refer to separate instruction sheet for trim one-side functions.

3

Installation

a

Change Hand of Lock

Note:

Red surface of locking piece must face secure (keyed/locked) side of door.

To rotate locking piece:

1. Position lockbody with red surface of locking piece visible.
2. Insert flat blade screwdriver into locking piece slot to rotate locking piece.
3. Push locking piece toward back of lockbody and rotate 180° until red surface shows on opposite side.

Note:

Red color indicates locked side of door.

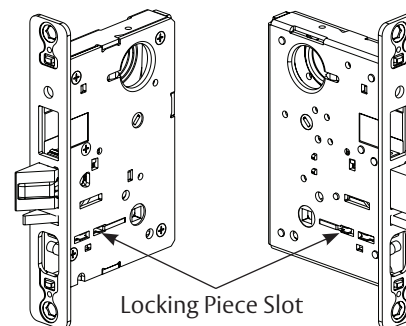


Figure 2

b

Change Hand of Latch

Note:

Beveled surface of latch must face strike. Deadlatch is self-adjusting.

To change hand of latch:

1. Insert flat blade screwdriver into spade shaped slot. (Figure 3)
2. Rotate screwdriver 90° to push latch out until back of latch clears lock front; rotate latch 180°. Latch will re-enter lockbody.

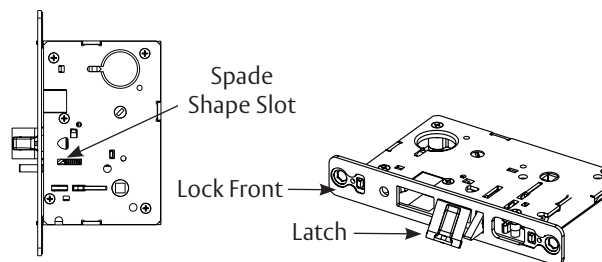


Figure 3

Figure 4

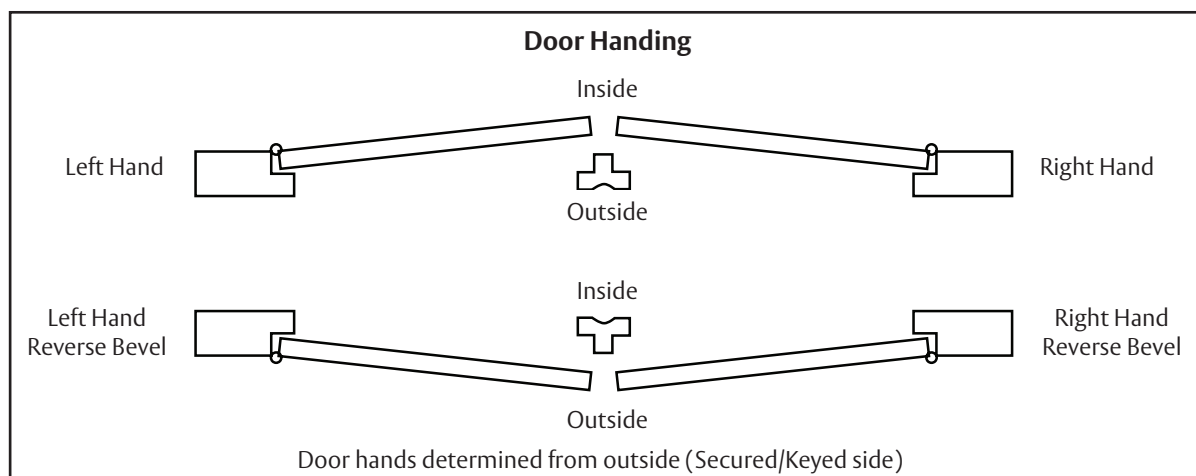


Figure 5

3

Installation (continued)

c

FE6600 and BL6600 Series Multi-Point Locks

Important:

Check template 4740 to prep door for function holes, size and location.

1. Verify strike location according to template.
2. Clean out door pocket and door edge of debris.
3. Make sure handing of lock (latch and locking piece) match handing of door.
4. Slide lock into door and hold.
5. Slide outside lever and rose assembly (or lever and escutcheon assembly) through the door; lockbody and hold.

Note:

- Keep door open while installing lock. If installing lever onto only one side of the door, see separate instruction sheet.
- Assemble keyed cylinder through narrow end of spring and wider opening of collar (or escutcheon).
- Assemble onto door by threading into lock until cylinder face is flush with collar edge. Pulling key slightly out of cylinder will help when threading cylinder inward.

Note:

Corbin Russwin logo must be horizontal and on upper portion of cylinder face.

6. Tighten cylinder clamp screw (#2 Phillips screwdriver).
7. Secure lock in door with two (2) wood screws (#12 x 1-1/4") or machine screws (#12-24 x 1/2").
Do NOT tighten completely at this time.
8. Slide spindle into lockbody hub.
9. Slide adapter and plate assembly over spindle and secure with two (2) #8-32 screws.
10. Screw rose firmly onto adapter and plate assembly (or attach escutcheon).
11. Attach inside lever and secure with 1/8" Allen wrench. Verify lock is operating correctly prior to closing door.
12. Assemble thumbturn/emergency release (if provided) according to instructions on bag.
13. Check for proper lock operation prior to closing door.
14. Tighten two (2) lockbody screws completely. Attach outside front using two (2) #8-32 x 1/4" flat head screws.

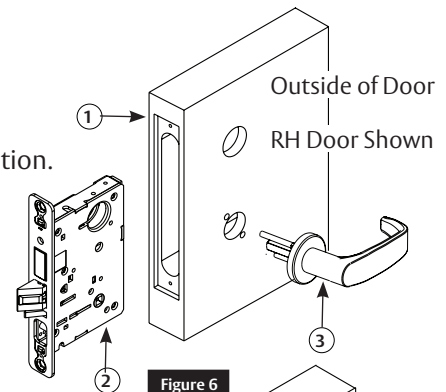


Figure 6

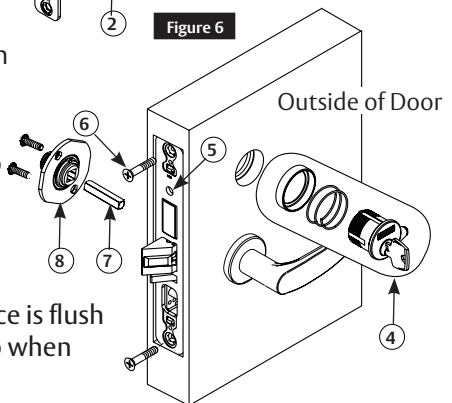


Figure 7

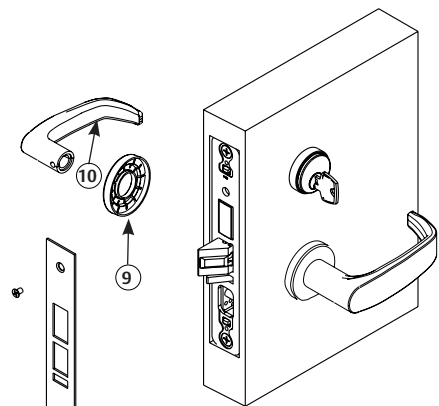


Figure 8

Note:

Removable core or interchangeable core cylinders require a control key (key stamped with C) to remove and install the inner cylinder core.

- This is not standard and must be requested separately.
- If requesting 1-bitted control key, specify 113511 cut.

3

Installation (continued)

d

CE, RE1, RE3, L and LW Escutcheons

Through-bolt inside escutcheon to outside escutcheon with two (2) screws #8-32 x 1-7/8" (Figure 9, item #1).

Notes:

- Screw heads should be visible on inside escutcheon.
- Removable core or interchangeable core cylinders require a control key (stamped with C) to remove and install the inner cylinder core.
 - This is not provided standard ; must be requested separately.
 - If requesting 1-bitted control key, specify 113511 cut.

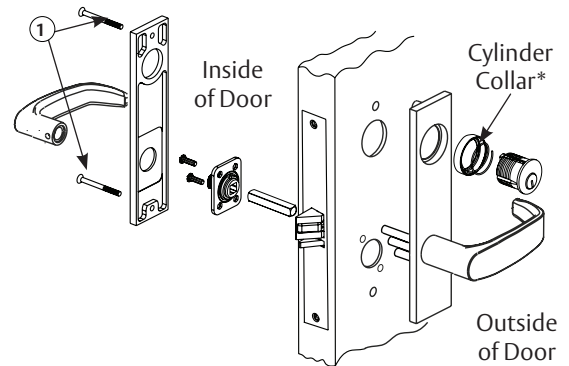


Figure 9

*Cylinder collar(s) required for functions with two (2) cylinders or cylinders longer than #41 (1-1/8"). (Figure 9)

e

RE2 and RE4 Escutcheons

Notes:

- RE4 is designed for concealed cylinders.
 - Concealed cylinders are installed prior to attaching escutcheons.
1. Outside escutcheon must be through-bolted with items K and L (Figure 10) prior to attaching inside escutcheon.
 2. Position inside escutcheon over item L and secure with set screw (item J) using 1/8" Allen wrench.

Note:

Cylinder collar(s) required for functions with two (2) cylinders or cylinders longer than #41 (1-1/8"). (Figure 10)

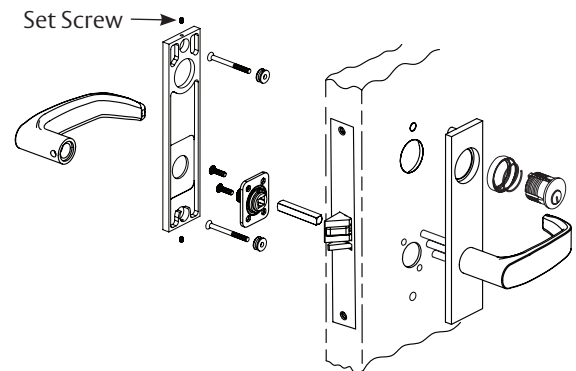


Figure 10

3

Installation (continued)

f

N Escutcheons

Inside and outside escutcheons are surface-applied with eight (8) #6 x 3/4" wood screws or eight (8) #6-32 x 3/4" machine screws. (Figure 11)

Note:

Cylinder collar(s) required for functions with two (2) cylinders or cylinders longer than #41 (1-1/8").

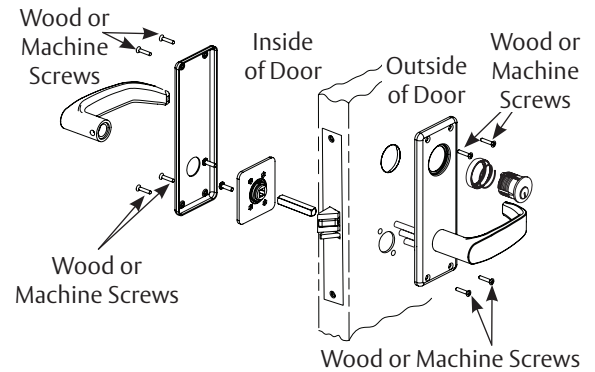


Figure 11

g

M Security Escutcheons

1. Cylinder installs under escutcheon.*
2. Through-bolt inside escutcheon to outside escutcheon with four (4) 1/4-20x1-3/8" screws.

Note:

Screw heads are visible on inside escutcheon.

3. Back cylinder out toward escutcheon as far as possible.
4. Secure cylinder in lockbody. (Figure 12)

*** Double cylinder functions:**

- Include a supplied cylinder retaining cap.
- Install both cylinders and place retaining cap and escutcheons over each.
- Back cylinder out toward escutcheon as far as possible. (Figure 13)

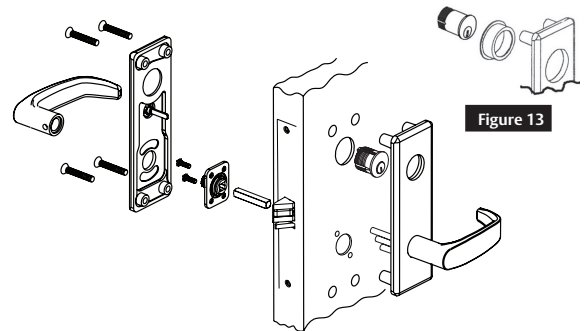


Figure 12

Figure 13

The ASSA ABLOY Group is the global leader in access solutions. Every day, we help billions of people experience a more open world.

ASSA ABLOY Opening Solutions leads the development within door openings and products for access solutions in homes, businesses and institutions. Our offering includes doors, frames, door and window hardware, locks, perimeter fencing, access control and service.



Corbin Russwin, Inc.
225 Episcopal Road
Berlin, CT 06037 USA
Phone: 800-543-3658
Fax: 800-447-6714
www.corbinrusswin.com

Corbin Russwin is a brand associated with ASSA ABLOY Access and Egress Hardware Group, Inc., an ASSA ABLOY Group company. Copyright © 2017, 2019, 2020 ASSA ABLOY Access and Egress Hardware Group, Inc. All rights reserved. Reproduction in whole or in part without the express written permission of ASSA ABLOY Access and Egress Hardware Group, Inc. is prohibited.

For installation assistance contact Corbin Russwin
1-800-543-3658 • techsupport.corbinrusswin@assaabloy.com

FM468 03/20