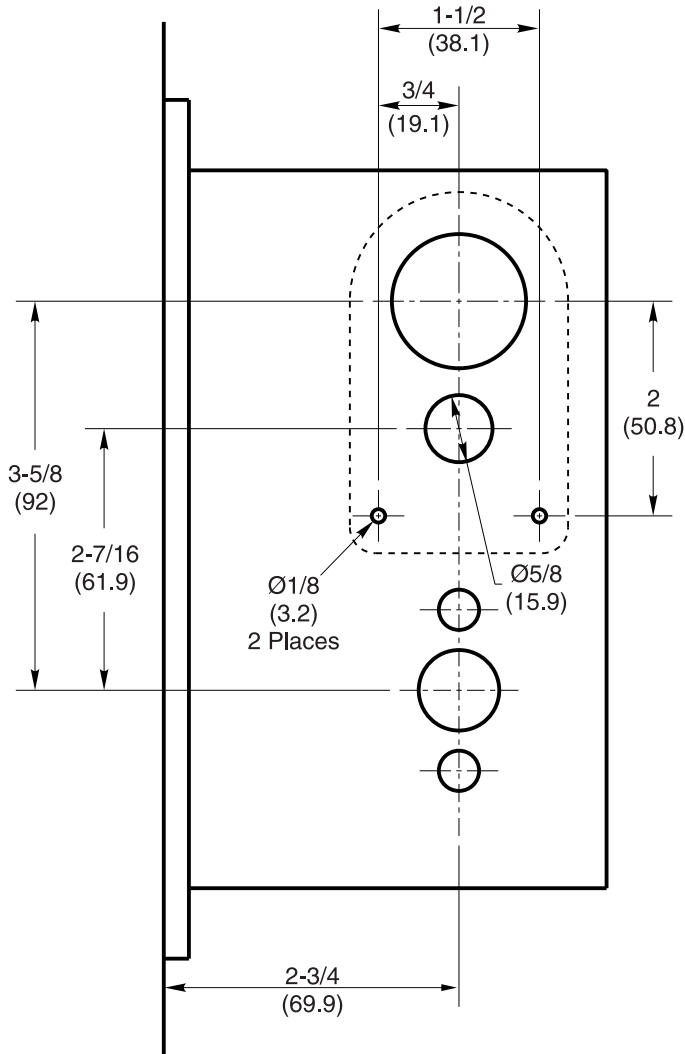


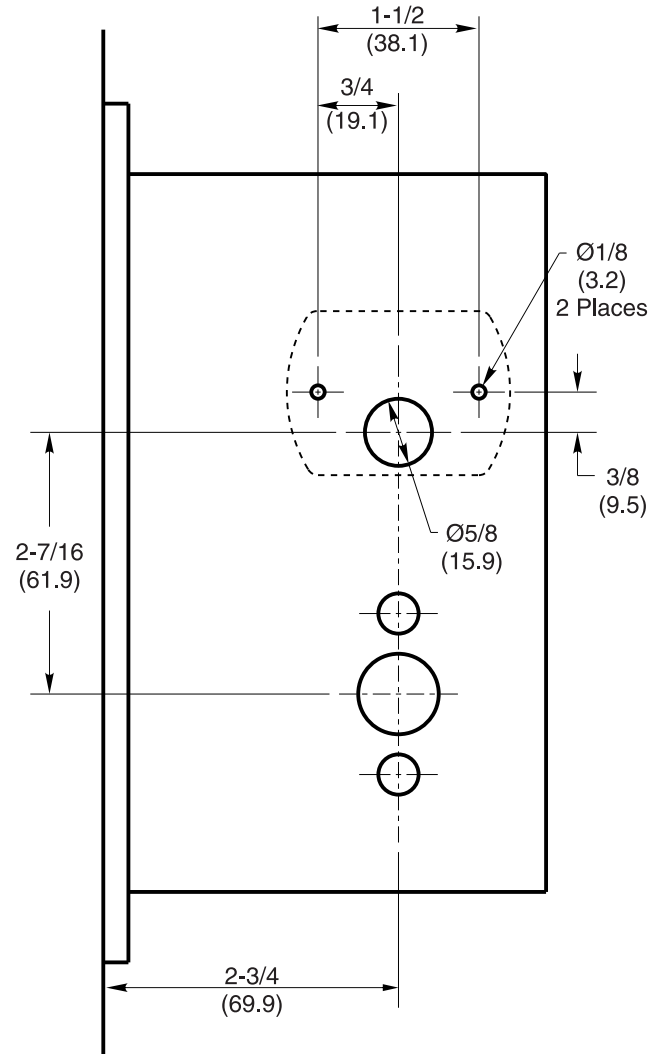
Notes:
Do not scale drawing.
Dimensions given in inches (mm).

②

TEMPLATE CROSS REFERENCE	
Description	Template
ML2000 Template	T30600
ML2000 Half Trim Template	T30607



INDICATOR WITH CYLINDER



INDICATOR WITHOUT CYLINDER

DRILL HOLES THROUGH INDICATOR SIDE OF DOOR ONLY

RESPONSIBILITY

DOOR AND FRAME MANUFACTURERS ARE RESPONSIBLE FOR PROVIDING ADEQUATE CONSTRUCTION OR REINFORCEMENTS FOR PROPER INSTALLATION OF HARDWARE SHOWN. ALL ARCHITECTURAL BUILDERS HARDWARE MUST BE INSTALLED ON PROPERLY REINFORCED DOORS AND FRAMES, REGARDLESS OF TYPE, MATERIAL, OR METHOD OF CONSTRUCTION.

**Occupancy Indicator
ML2000**



ASSA ABLOY

www.corbinruswin.com

SUPERSEDES T31085-1 DO NOT SCALE DRAWING

TEMPLATE NUMBER T31085-2 DATE 05-17