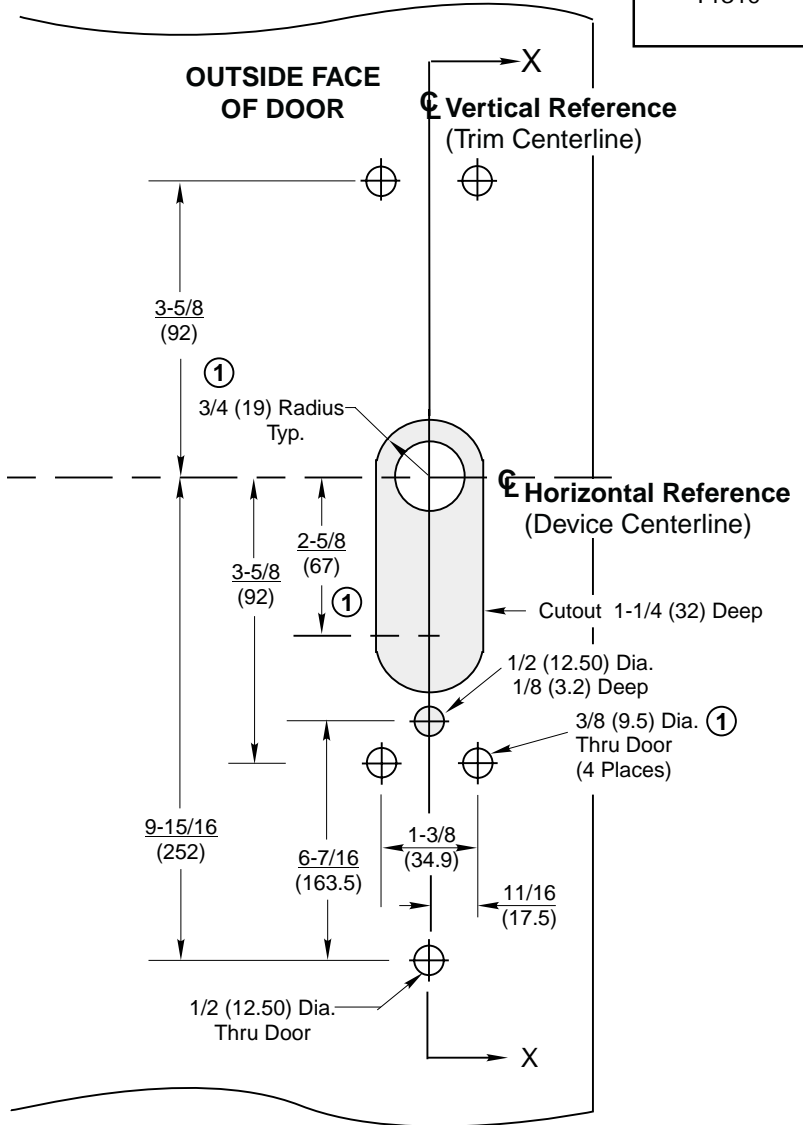
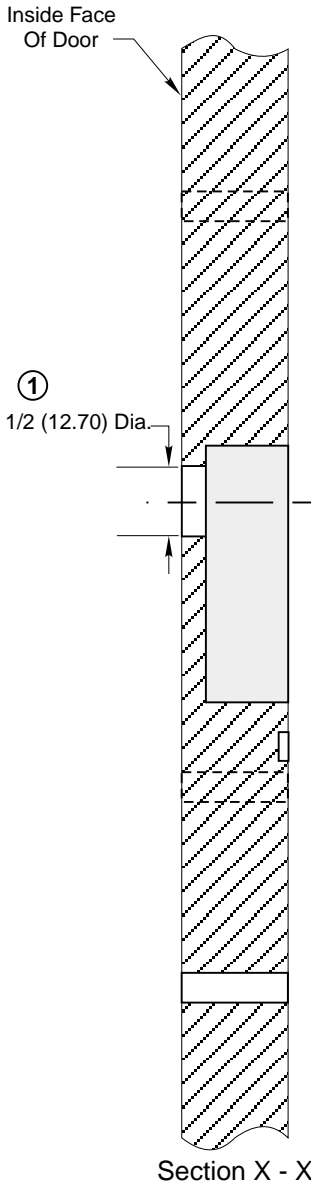
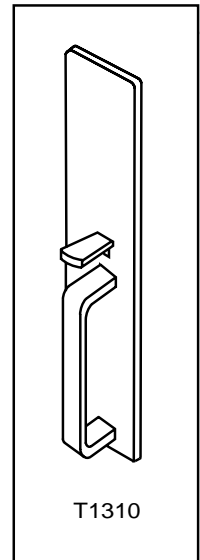


Notes:

1. This template is an addition to the device template. Locate centerlines using horizontal and vertical references on device template.
2. Do not scale drawing.
3. Dimensions are in inches (mm).
4. LHR door shown. Preparation is typical for both door hands.
5. Provide adequate structural support to maintain door integrity during operation.
6. Prepare mounting holes when installing trim.
7. Dimensions given about a centerline are symmetrical.
8. Unspecified radii 1/8 (3.20) maximum.



T1310 Trim
 With ED5200, ED5400 or ED5800 Series
 Rim and Vertical Rod Exit Devices
Wood or Composite Door Preparation

Corbin Russwin [®]	
www.corbinrusswin.com	
SUPERSEDES T30863	DO NOT SCALE DRAWING
TEMPLATE NUMBER	DATE
T30863-1	8-99