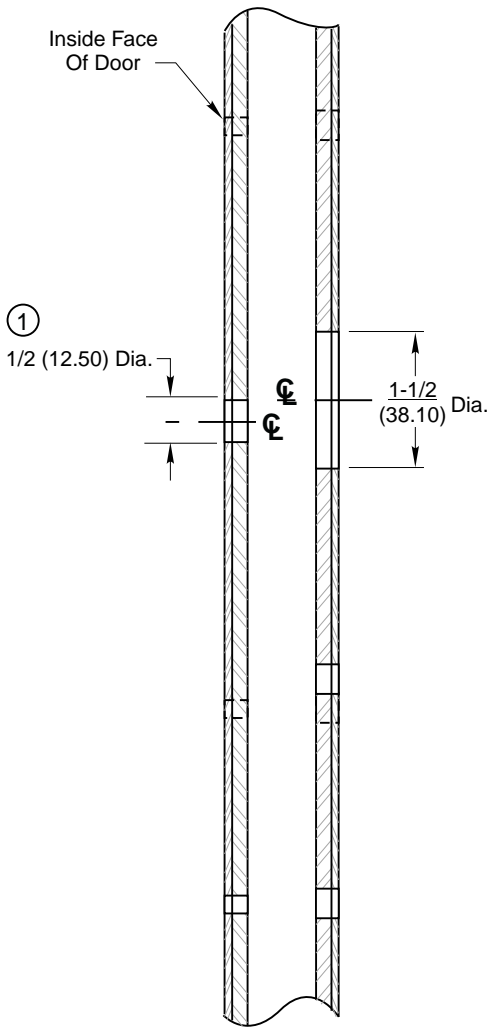
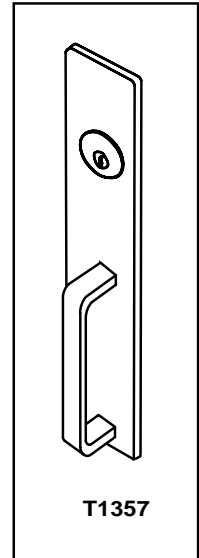
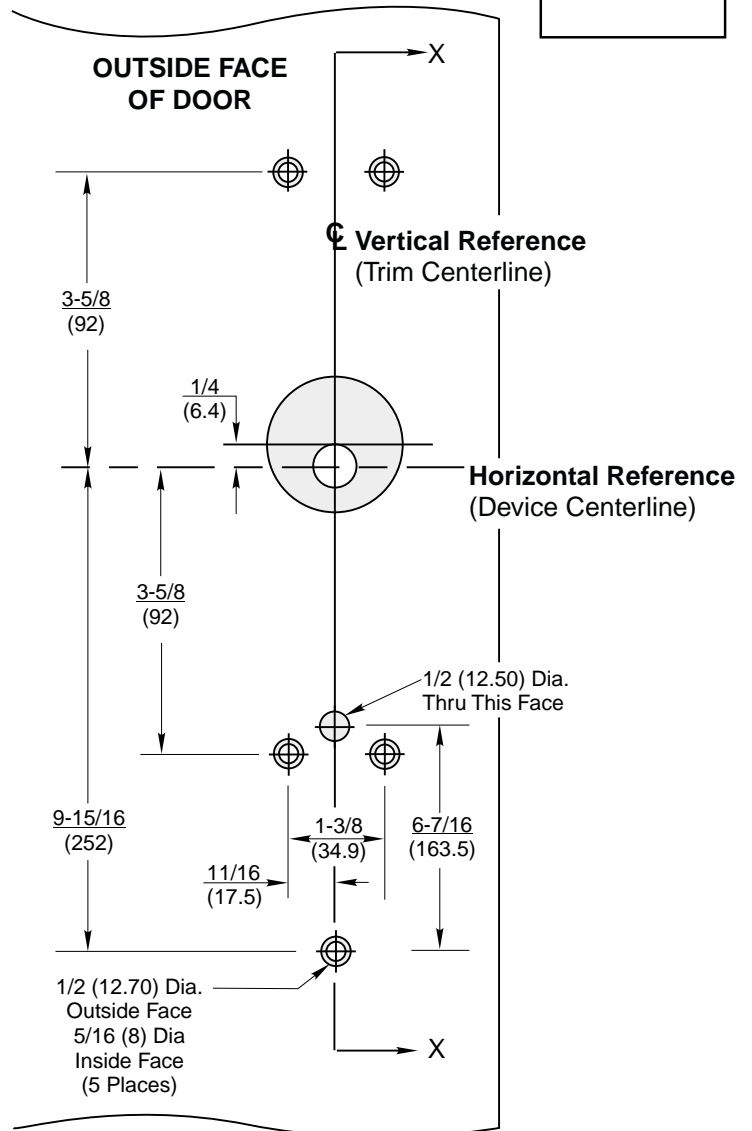


Notes:

1. This template is an addition to the device template. Locate centerlines using horizontal and vertical references on device template.
2. Do not scale drawing.
3. Dimensions are in inches (mm).
4. LHR door shown. Preparation is typical for both door hands.
5. For door reinforcement see template T30800.
6. Prepare mounting holes when installing trim.
7. Provide adequate internal support to prevent door deformation from bolting trim to the device.



Section X - X



T1357 Trim
 With ED5200, ED5400 or ED5800 Series
 Rim and Vertical Rod Exit Devices
Metal Door Preparation



SUPERSEDES	T30824	DO NOT SCALE DRAWING
TEMPLATE NUMBER	T30824-1	DATE 9-99