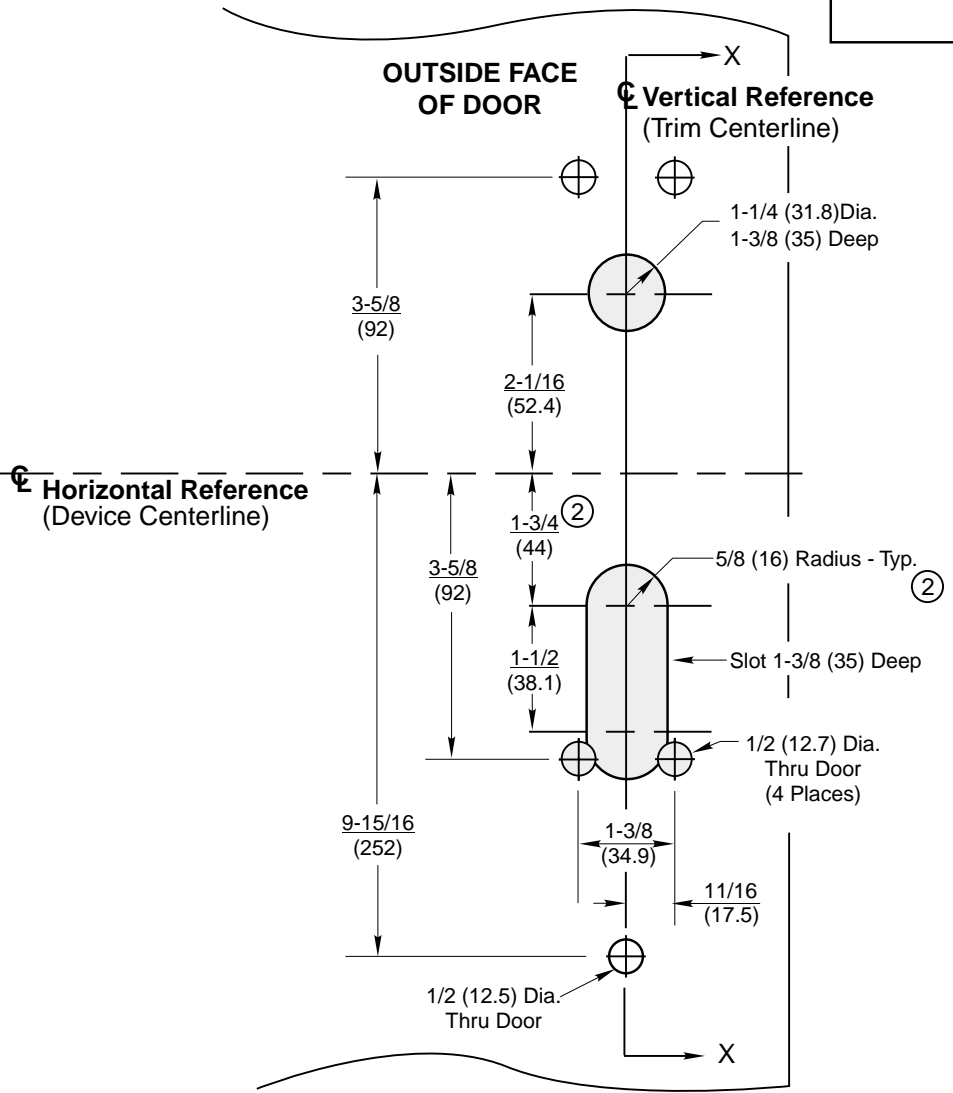
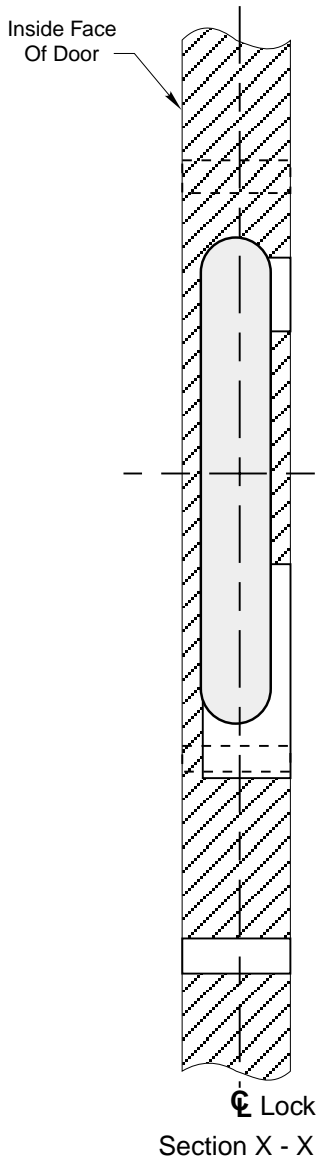
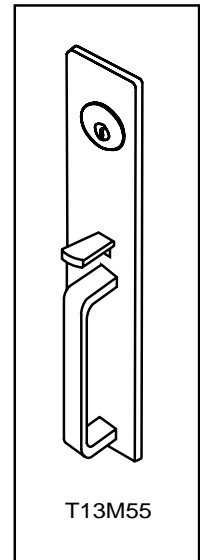


Notes:

1. This template is an addition to the device template. Locate centerlines using horizontal and vertical references on device template.
2. Do not scale drawing.
3. Dimensions are in inches (mm).
4. LHR door shown. Preparation is typical for both door hands.
5. Shaded area represents mortise lock cavity from device template.
6. Prepare mounting holes when installing trim.
7. Provide adequate internal support to prevent door deformation from bolting trim to the device.



T13M55 Trim
 With ED5600 Series Mortise Exit Devices
Wood or Composite Door Preparation

Corbin Russwin[®]
 www.corbinrusswin.com
 SUPERSEDES T308691 | DO NOT SCALE DRAWING
 TEMPLATE NUMBER **T30869-2** | DATE **6-06**