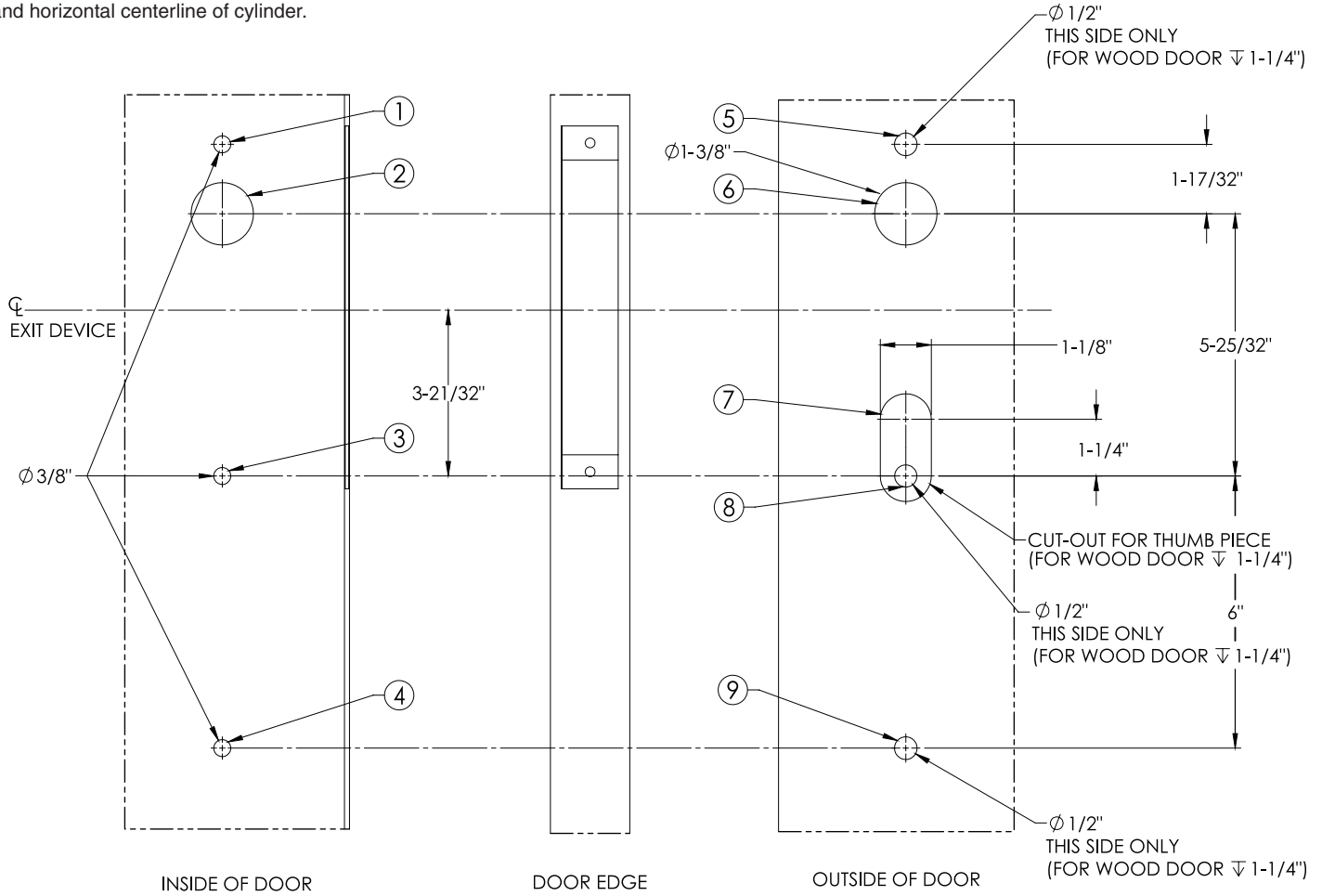
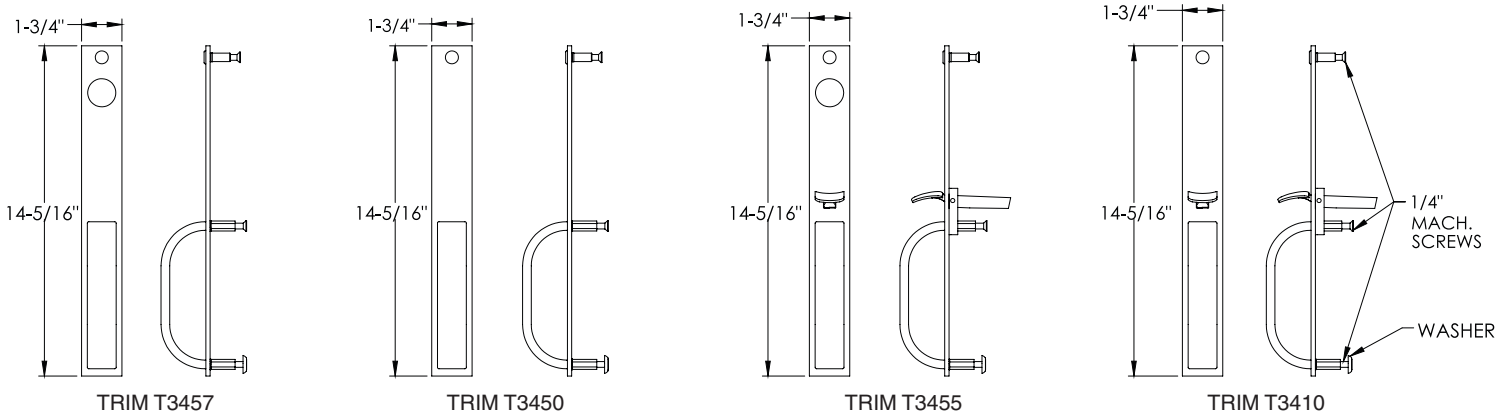


BACKSET DEFINITION	DOOR HANDING		DOOR HOLES REQUIRED								
	L.H.	R.H.	1	2	3	4	5	6	7	8	9
	INSIDE	OUTSIDE	X	X	X	X	X	X	X		X
	INSIDE	OUTSIDE	X	X	X	X	X	X		X	X
	L.H.R.B.	R.H.R.B.	X		X	X	X			X	X
			X		X	X	X		X		X

Notes:  
 1. Refer to Exit Device template for location of vertical and horizontal centerline of cylinder.



**R.H.R.B. DOOR SHOWN**



**RESPONSIBILITY**

DOOR AND FRAME MANUFACTURERS ARE RESPONSIBLE FOR PROVIDING ADEQUATE CONSTRUCTION OR REINFORCEMENTS FOR PROPER INSTALLATION OF HARDWARE SHOWN. ALL ARCHITECTURAL BUILDERS HARDWARE MUST BE INSTALLED ON PROPERLY REINFORCED DOORS AND FRAMES, REGARDLESS OF TYPE, MATERIAL, OR METHOD OF CONSTRUCTION.

**T34 Trim**



www.corbinruswin.com

SUPERSEDES	T31222	DO NOT SCALE DRAWING
TEMPLATE NUMBER	T31222-1	DATE 02-15