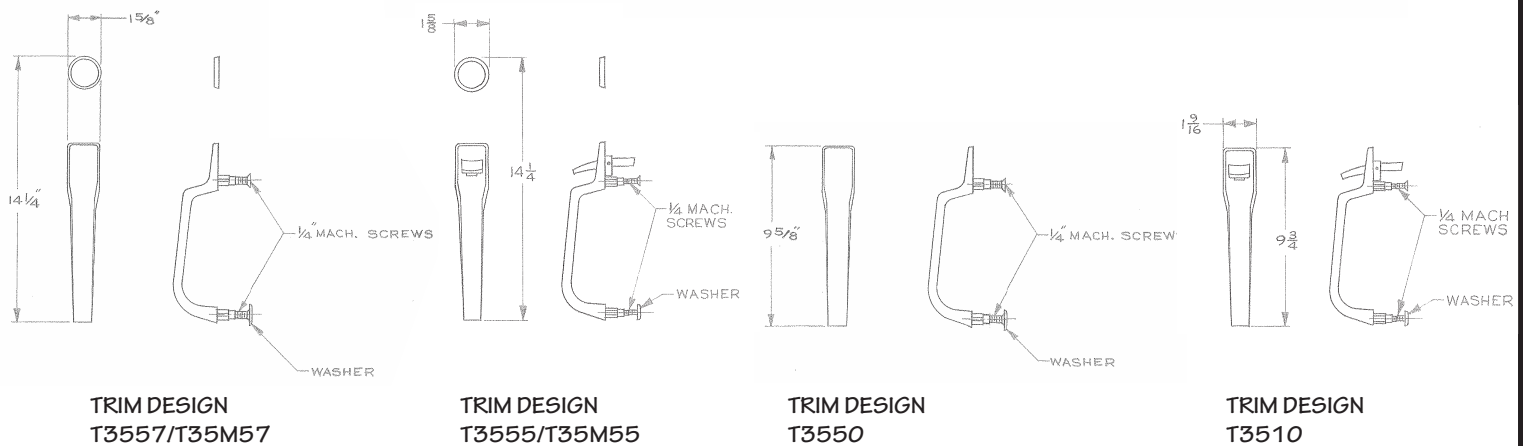
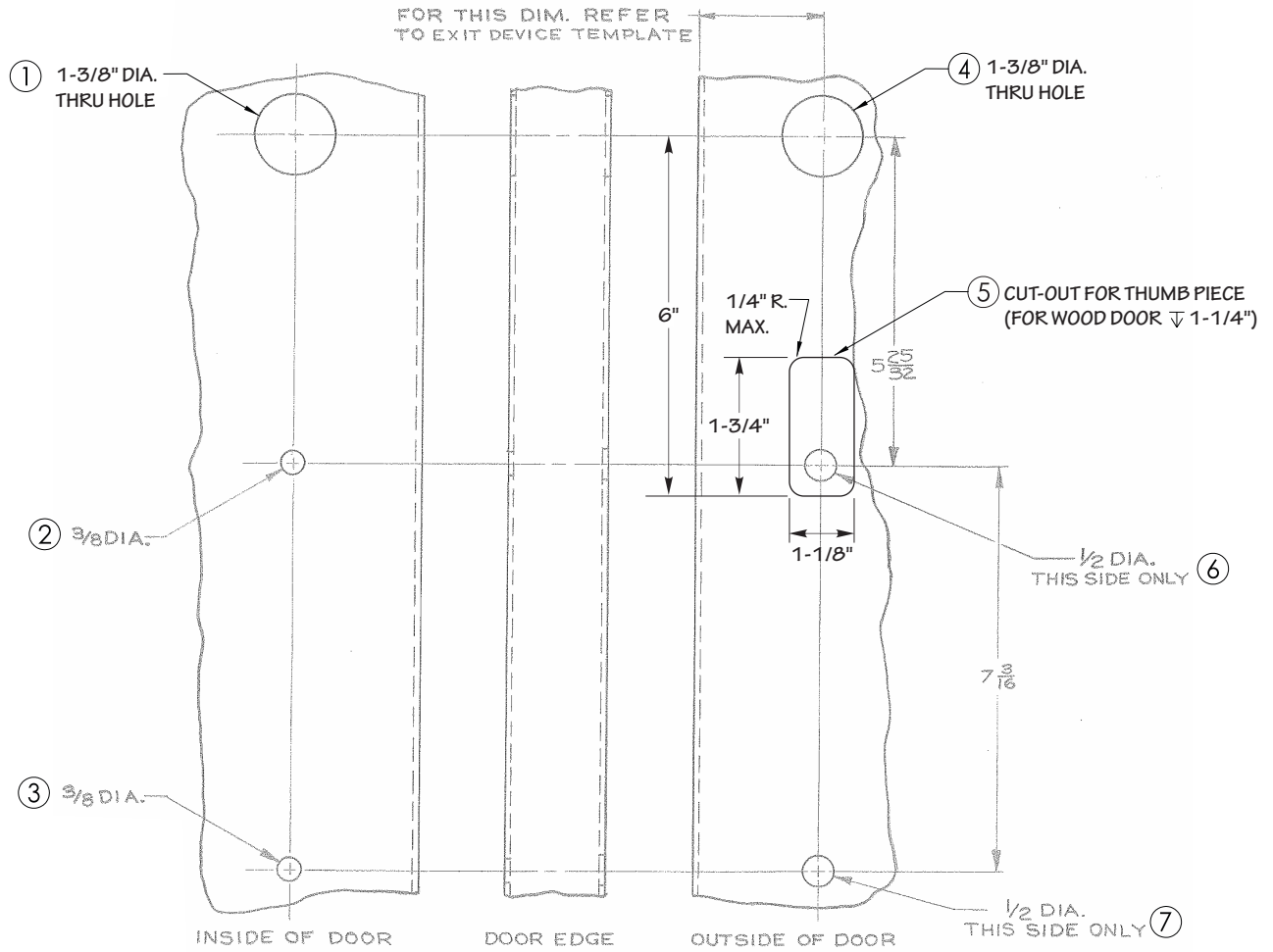


IMPORTANT

For additional cutouts on inside of door, refer to exit device template.

TRIM FUNCTIONS	DOOR HOLES REQUIRED						
	1	2	3	4	5	6	7
T3555, T35M55	X	X	X	X	X		X
T3557, T35M57	X	X	X	X		X	X
T3550		X	X			X	X
T3510		X	X		X		X



RESPONSIBILITY

DOOR AND FRAME MANUFACTURERS ARE RESPONSIBLE FOR PROVIDING ADEQUATE CONSTRUCTION OR REINFORCEMENTS FOR PROPER INSTALLATION OF HARDWARE SHOWN. ALL ARCHITECTURAL BUILDERS HARDWARE MUST BE INSTALLED ON PROPERLY REINFORCED DOORS AND FRAMES, REGARDLESS OF TYPE, MATERIAL, OR METHOD OF CONSTRUCTION.

T35 Trim



ASSA ABLOY

www.corbinruswin.com

SUPERSEDES	T31211	DO NOT SCALE DRAWING
TEMPLATE NUMBER	T31211-1	DATE 02-15