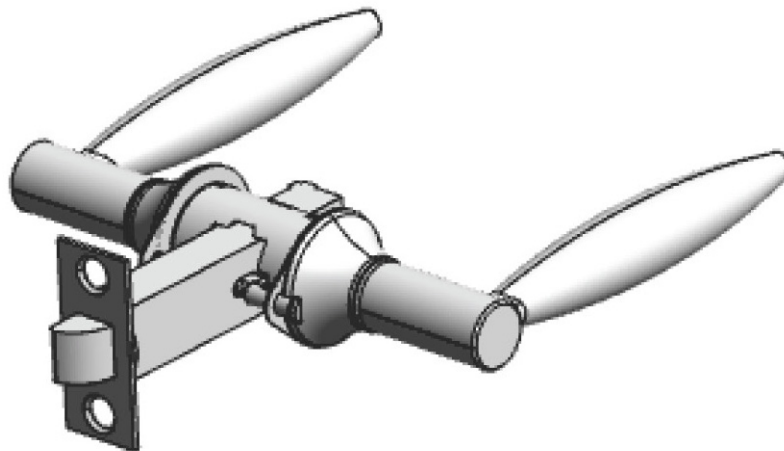


TL3700 Series

Roseless Tubular Lock

Designer Trim



Note

All templates can be found at www.corbinruswin.com/Library/Templates

⚠ WARNING

This product can expose you to lead which is known to the state of California to cause cancer and birth defects or other reproductive harm. For more information go to www.P65warnings.ca.gov.

TOC	Table of Contents
1	Full-Trim (TL3710 & 3720) & Half-Trim (TL3780) Installation.....3
a	Install Strike (All)3
b	Install Spring Housing (All).....3
c	Install Latch & Scalp (All).....4
d	Install Privacy Plate (TL3720 Only)4
e	Install Adapter Plates (All)5
f	Install Half-trim Adapter Plate (TL3780 Only)5
g	Thread Collar (TL3710 & 3720)5
h	Thread Collar (TL3780)6
i	Install Half-Trim Collar (TL3780)6
j	Install Outside Lever (TL3710 & 3720)6
k	Install Inside Spindle and Adjustment Bolt (All)6
l	Install Inside Lever With Dowel Screw (All).....7
2	Full Dummy Trim (TL3770) & Half Dummy Trim (TL3750) Installation7
a	Insert Dummy Spindle (All).....7
b	Install Adapter Plate Assemblies (TL3770)8
c	Install Adapter Plate Assemblies (TL3750)8
d	Install Collar (TL3770)8
e	Install Collar (TL3750)8
f	Install Lever (TL3770).....9
g	Install Lever (TL3750).....9

1

Full-Trim (TL3710 & 3720) & Half-Trim (TL3780) Installation

a

Install Strike (All)

Install strike with supplied combination screws

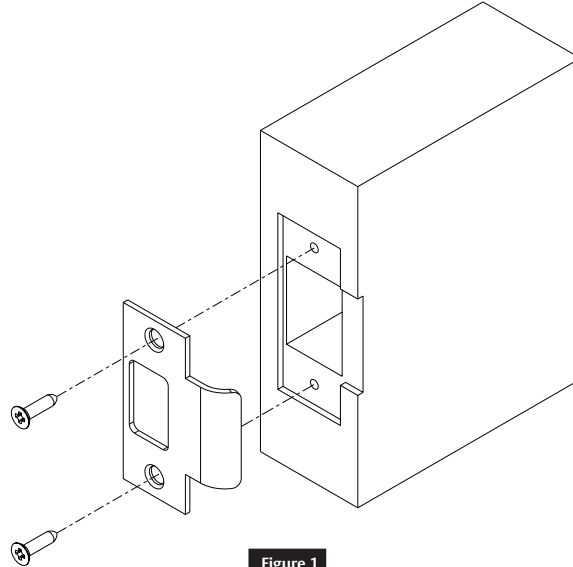


Figure 1

b

Install Spring Housing (All)

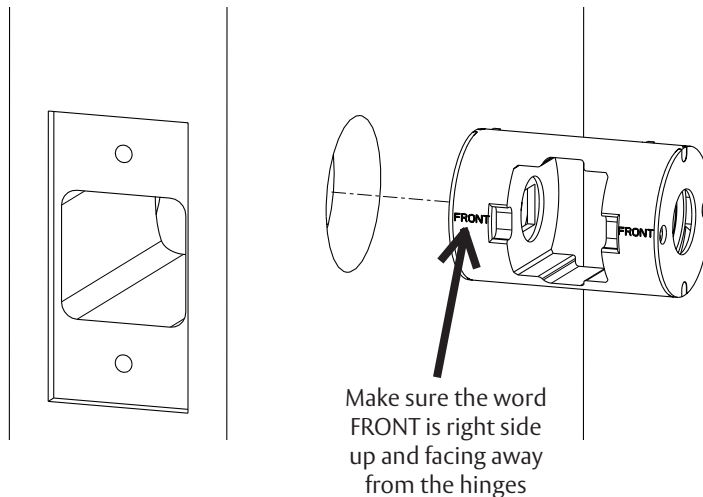


Figure 2

1

Full-Trim (TL3710 & 3720) & Half-Trim (TL3780) Installation (cont.)

c

Install Latch & Scalp (All)

Note:

- (TL3720 Only) The threaded button on the latch faces the inside of the door (For privacy button).
- Rotate latch head to match door hand (Round side hits strike first).

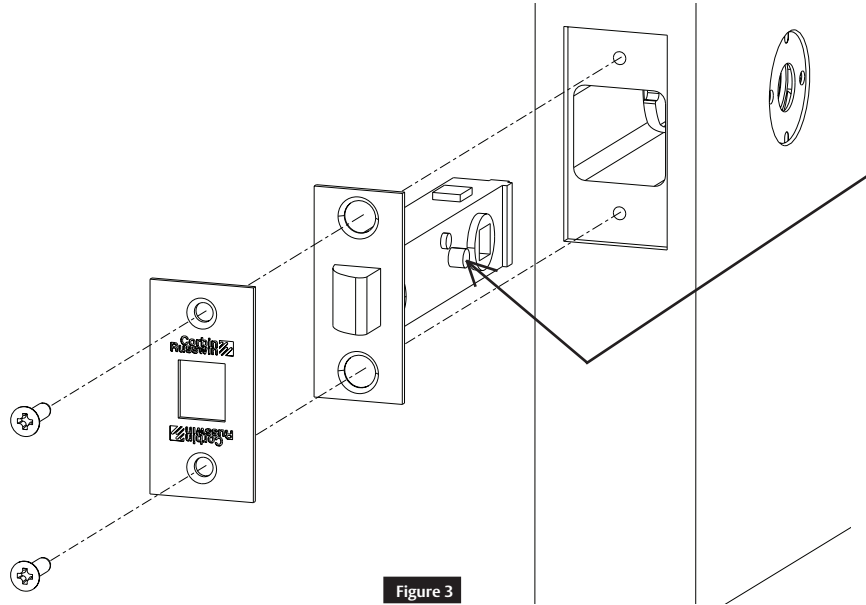


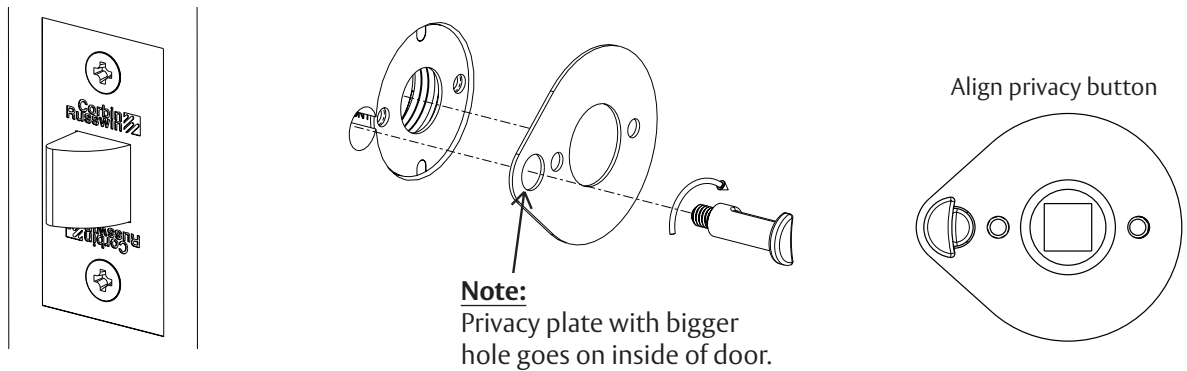
Figure 3

d

Install Privacy Plate (TL3720 Only)

Install privacy plate and button on inside of door.

Inside of door



Note:
Privacy plate with bigger hole goes on inside of door.

Figure 4

1

Full-Trim (TL3710 & 3720) & Half-Trim (TL3780) Installation (cont.)

e

Install Adapter Plates (All)

- Install adapter plates on both sides of door using 3/8" Flat Head Screws.
- Install outside privacy plate and adapter plate.

Outside of Door

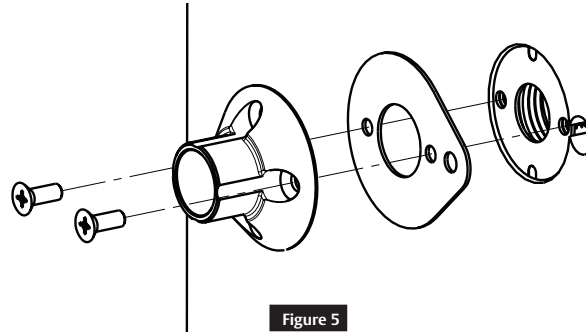


Figure 5

f

Install Half-trim Adapter Plate (TL3780 Only)

Install Half-trim adapter plate on non-trim side of door.

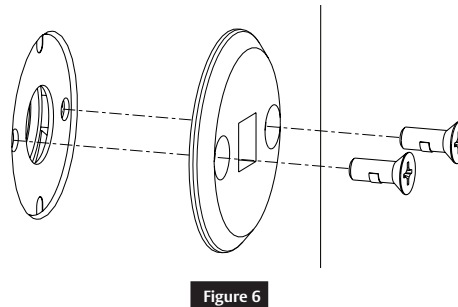


Figure 6

g

Thread Collar (TL3710 & 3720)

Thread collar onto both sides of door using supplied rubber grip.

Note

Make sure collar is tight up against door

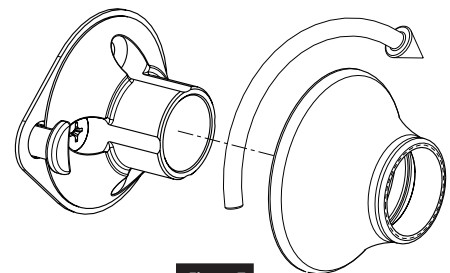


Figure 7

1

Full-Trim (TL3710 & 3720) & Half-Trim (TL3780) Installation (cont.)

h

Thread Collar (TL3780)

Thread standard collar on trim side of door.

Note

Make sure collar is tight up against door

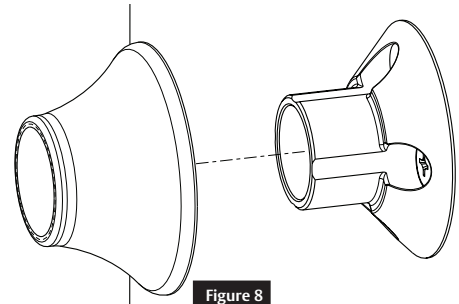


Figure 8

i

Install Half-Trim Collar (TL3780)

Install Half-trim collar on non-trim side of door.

- Make sure hole on Half-trim collar is facing down

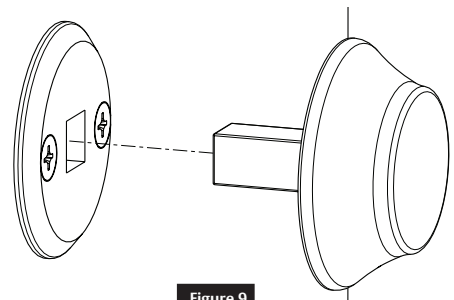


Figure 9

j

Install Outside Lever (TL3710 & 3720)

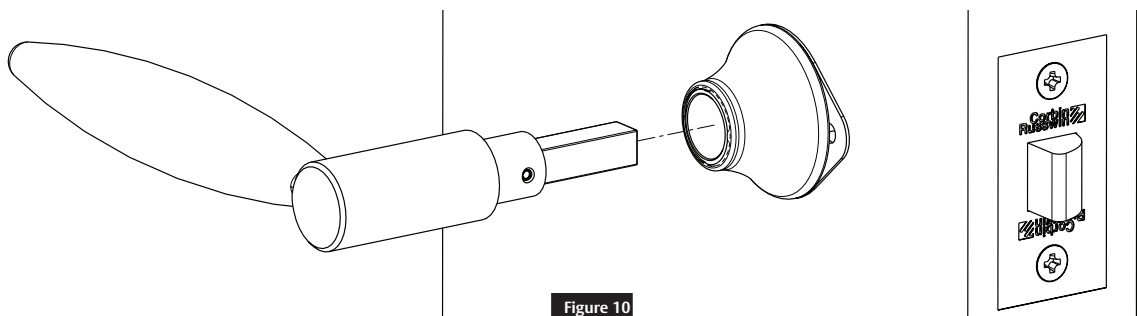


Figure 10

k

Install Inside Spindle and Adjustment Bolt (All)

The short side of inside spindle (the distance from indent to end of spindle) goes into the latch

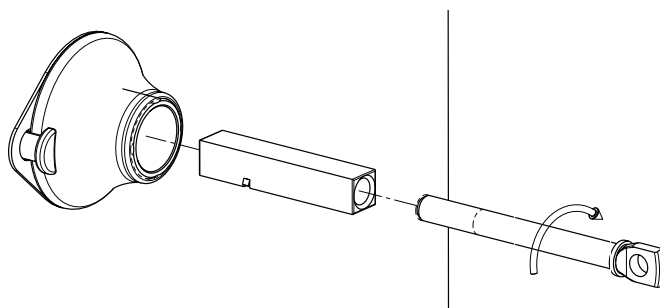


Figure 11

Use Correct Spindle Orientation



1

Full-Trim (TL3710 & 3720) & Half-Trim (TL3780) Installation (cont.)

I

Install Inside Lever With Dowel Screw (All)

1. Install Lever.

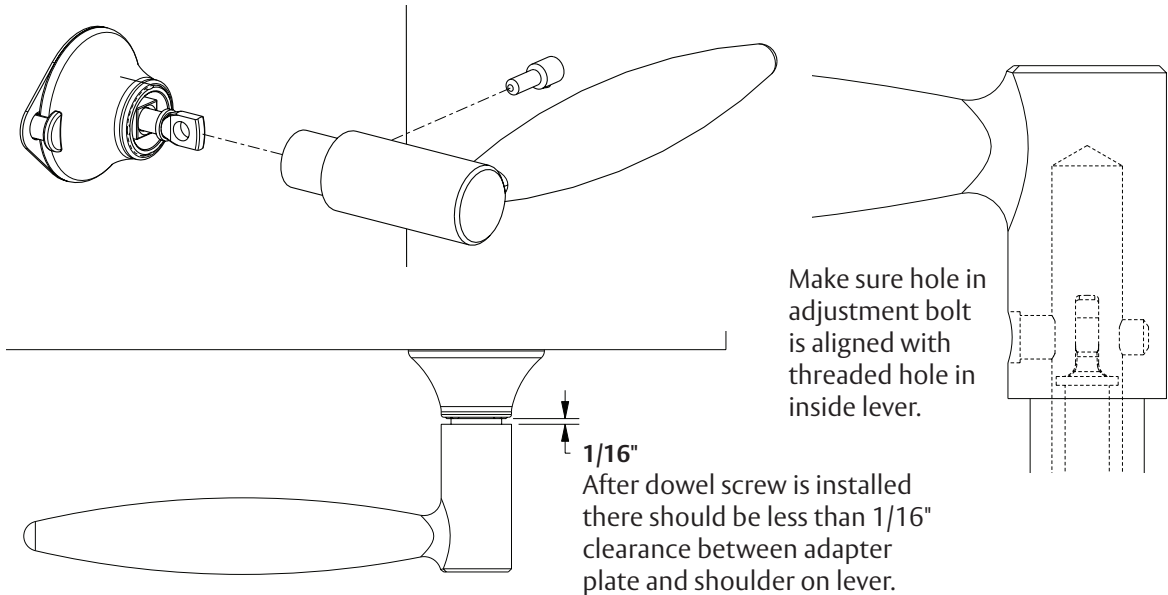


Figure 12

2. Rotate lever and make sure it returns. If lever binds, remove inside lever and un-thread adjustment bolt 1/2 turn.

2

Full Dummy Trim (TL3770) & Half Dummy Trim (TL3750) Installation

a

Insert Dummy Spindle (All)

Insert dummy spindle into adapter plate.

- TL3770 use both adapter plates.

Note

Make sure dummy spindle is aligned.

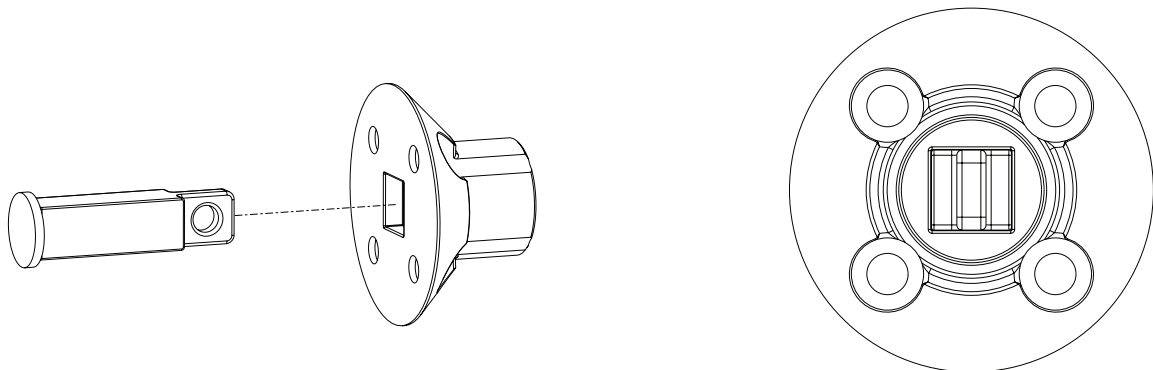


Figure 13

2

Full Dummy Trim (TL3770) & Half Dummy Trim (TL3750) Installation (cont.)

b

Install Adapter Plate Assemblies (TL3770)

Note

Make sure dummy adapter plate is installed on non-trim side of door.

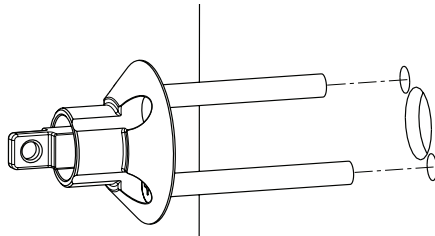
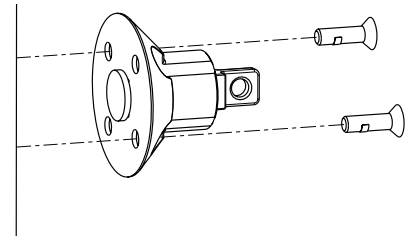


Figure 14



c

Install Adapter Plate Assemblies (TL3750)

Note

Make sure dummy adapter plate is installed on non-trim side of door.

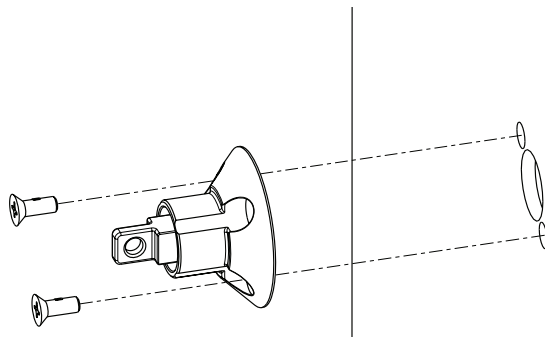
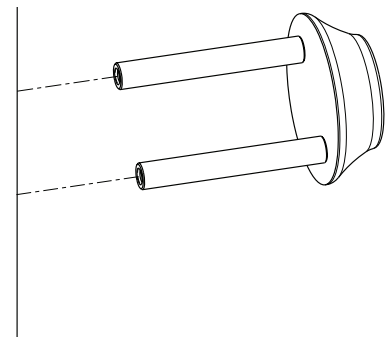


Figure 15



d

Install Collar (TL3770)

Install collar on both sides of door using supplied rubber grip.

- Make sure collar is tight up against door.

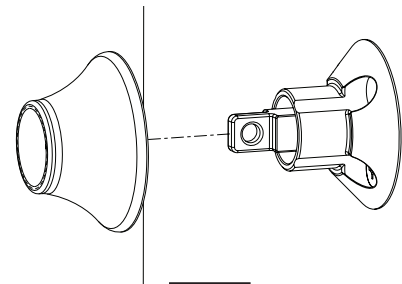


Figure 16

e

Install Collar (TL3750)

Install collar on trim side of door.

- Make sure collar is tight up against door.

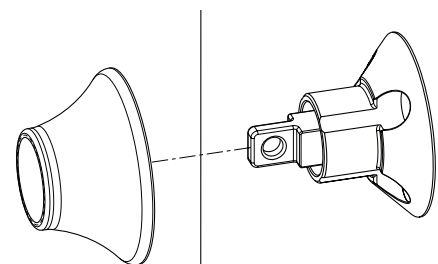


Figure 17

2

Full Dummy Trim (TL3770) & Half Dummy Trim (TL3750) Installation (cont.)

f

Install TL3770 Lever

Install lever on both sides of door with dowel screws

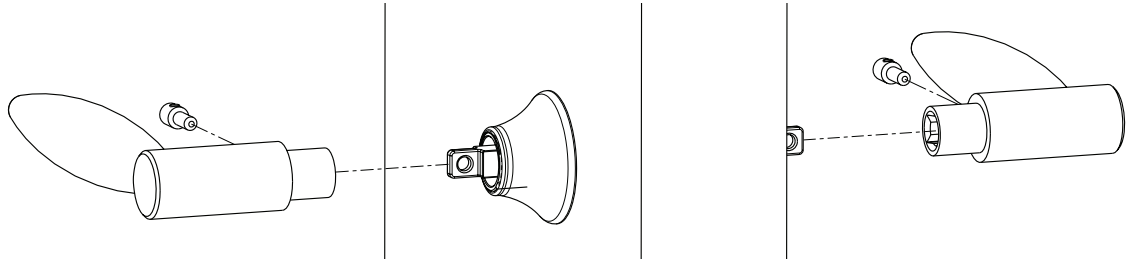


Figure 18

g

Install TL3750 Lever

Install lever on trim side of door with dowel screw

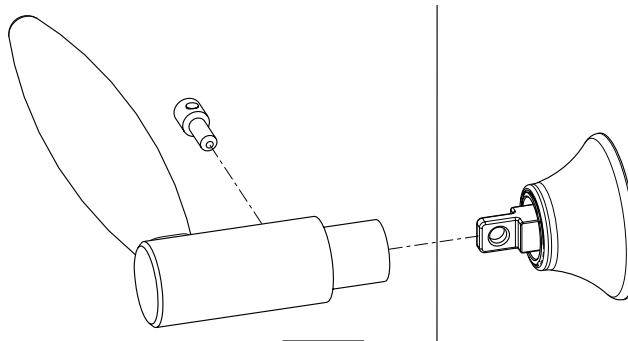


Figure 19

TL3700 Series

Designer Trim

Installation Instructions



Page intentionally left blank.

TL3700 Series

Designer Trim

Installation Instructions



Page intentionally left blank.

The ASSA ABLOY Group is the global leader in access solutions. Every day, we help billions of people experience a more open world.

ASSA ABLOY Opening Solutions leads the development within door openings and products for access solutions in homes, businesses and institutions. Our offering includes doors, frames, door and window hardware, locks, perimeter fencing, access control and service.



Corbin Russwin, Inc.
225 Episcopal Road
Berlin, CT 06037 USA
Phone: 800-543-3558
Fax: 800-447-6714
www.corbinrusswin.com

Corbin Russwin is a brand associated with ASSA ABLOY Access and Egress Hardware Group, Inc., an ASSA ABLOY Group company. Copyright © 2019, ASSA ABLOY Access and Egress Hardware Group, Inc. All rights reserved. Reproduction in whole or in part without the express written permission of ASSA ABLOY Access and Egress Hardware Group, Inc. is prohibited.