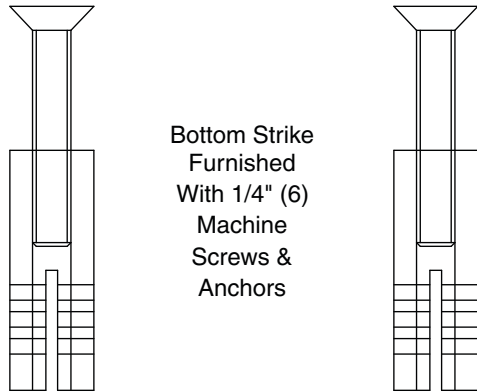
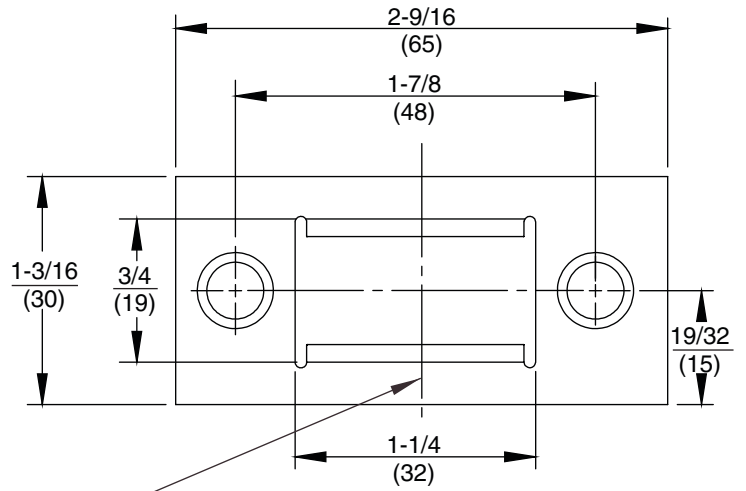


Use this dimension when door stops against frame as illustrated. If door silencers (rubber bumpers), door panels or both are used, increase this dimension accordingly.

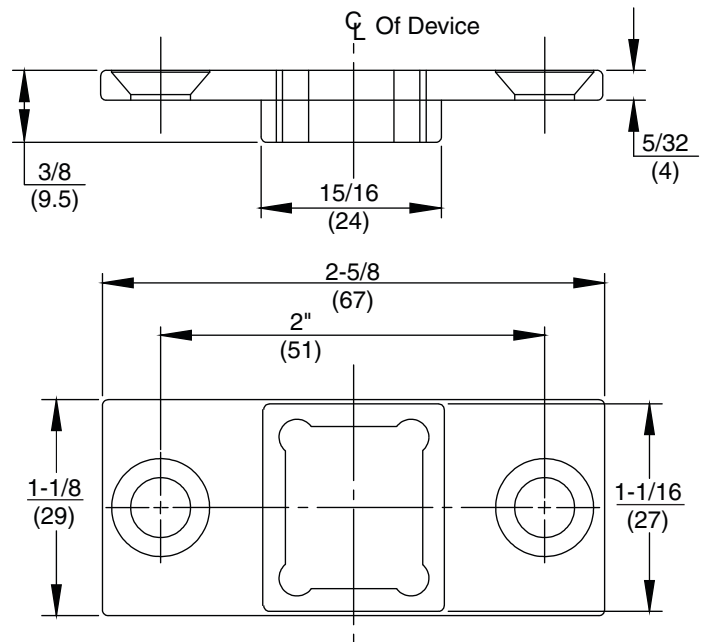
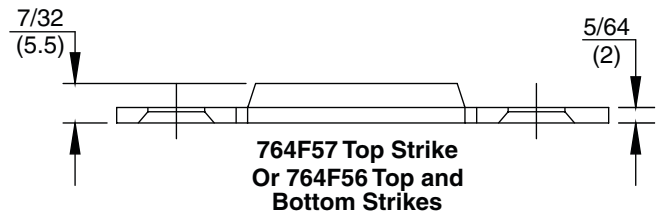


NOTES:

1. Do not scale.
2. Dimensions given in inches (mm).
3. Outside dimensions are maximum part size.
4. Minimum backset depends on device and application. See device template for minimum backset.



1. If device backset is $1\text{-}\frac{5}{8}$ " (41) or more than strike is centered on bolt.
2. If device backset is less than $1\text{-}\frac{5}{8}$ " (41) to $1\text{-}\frac{1}{8}$ " (28.5) than strike is centered at $1\text{-}\frac{3}{8}$ " (35) backset.
3. If device backset is less than $1\text{-}\frac{1}{8}$ " (28.5) this strike can not be used. Consult factory for alternate strike.



764F58 Bottom Strike

RESPONSIBILITY

DOOR AND FRAME MANUFACTURERS ARE RESPONSIBLE FOR PROVIDING ADEQUATE CONSTRUCTION OR REINFORCEMENTS FOR PROPER INSTALLATION OF HARDWARE SHOWN. ALL ARCHITECTURAL BUILDERS HARDWARE MUST BE INSTALLED ON PROPERLY REINFORCED DOORS AND FRAMES, REGARDLESS OF TYPE, MATERIAL, OR METHOD OF CONSTRUCTION.

**MP9800 Series Multi-Point Locks
Top & Bottom Strike
Hollow Metal & Wood Doors**



ASSA ABLOY

www.corbinruswin.com

SUPERSEDES

DO NOT SCALE DRAWING

TEMPLATE NUMBER

T31241

DATE

08-16