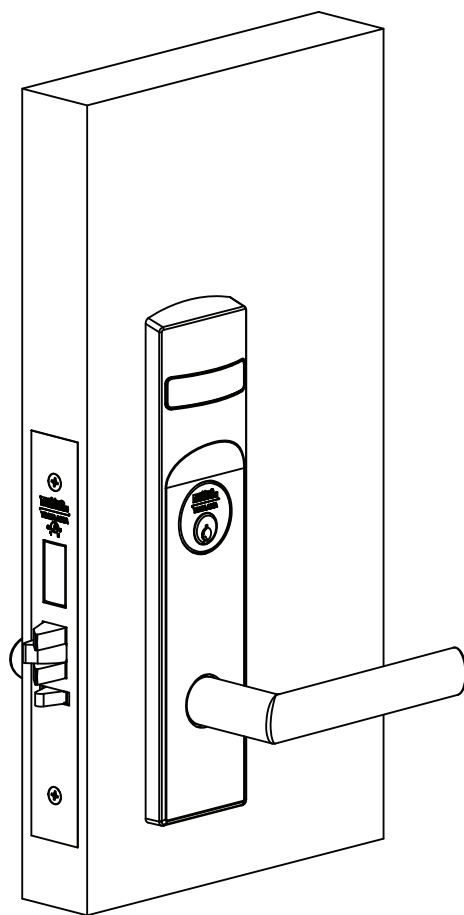


## ML2000 Series Mortise Lock

Used with VN Escutcheon Trim and V Series Indicators



### **⚠ WARNING**

This product can expose you to lead which is known to the state of California to cause cancer and birth defects or other reproductive harm. For more information go to [www.P65warnings.ca.gov](http://www.P65warnings.ca.gov).

### **⚠ WARNING**

Attention Installer: Improper installation may result in damage to the product and void the factory warranty.

# ML2000 Series Mortise Lock

Used with VN Escutcheon Trim and V Series Indicators



## Installation Instructions

<b>TOC</b>	<b>Table of Contents</b>
<b>1</b>	<b>Tools Required .....3</b>
<b>2</b>	<b>Indicator Variants.....3</b>
<b>3</b>	<b>Mortise Lock Handing .....4</b>
<b>4</b>	<b>Rehanding Indicator (if required).....5</b>
<b>5</b>	<b>Installation .....6</b>
<b>a</b>	<b>Prepare Door.....6</b>
<b>b</b>	<b>Install Strike and Lock .....6</b>
<b>c</b>	<b>Install Outside Trim (for standard levers or knobs only) .....6</b>
<b>d</b>	<b>Install Inside Trim (for standard levers or knobs only) .....6</b>
<b>e</b>	<b>Install Levers (for standard levers or knobs only).....7</b>
<b>f</b>	<b>Attach Levers to Escutcheons (for Muséo® levers only) .....7</b>
<b>g</b>	<b>Install Outside Trim (for Muséo® levers only) .....8</b>
<b>h</b>	<b>Install Inside Trim (for Muséo® levers only) .....8</b>
<b>i</b>	<b>Install Cylinder .....9</b>
<b>j</b>	<b>Install Outside Front .....9</b>
<b>k</b>	<b>Perform Functional Check .....9</b>
<b>6</b>	<b>Indicator Parts..... 10</b>

# ML2000 Series Mortise Lock

Used with VN Escutcheon Trim and V Series Indicators



ASSA ABLOY

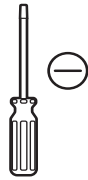
## Installation Instructions

1

### Tools Required



#1, #2 & #3  
Phillips head  
screwdrivers



Flat blade  
screwdriver



Allen wrench:  
• 1/8" for standard levers  
• 3/32" for Muséo® levers  
• 7/64" for EAC mortise locks



3/8" Drill bit



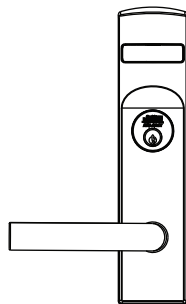
T-20 Torx Screw with  
Tamper Pin Driver

2

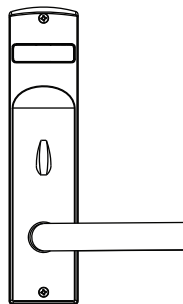
### Indicator Variants

Depending on function and option ordered, indicators are provided in the following variations. These instructions detail how to install with cylinder, however other variations follow similar instructions. (Figure 1)

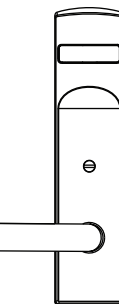
Contact factory with questions.



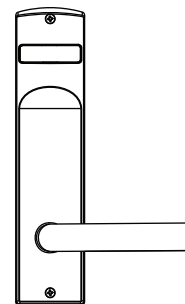
**Cylinder** - For  
installation on inside  
or outside of door.



**Thumbturn** - For  
installation on  
inside of door.



**Coin Turn** - For  
installation on  
outside of door.



**No input/blank** - For  
installation on inside of door.

Figure 1

# ML2000 Series Mortise Lock

Used with VN Escutcheon Trim and V Series Indicators

## Installation Instructions

**Corbin  
Russwin**

**ASSA ABLOY**

### 3

### Mortise Lock Handing

1. Move red locking screw to side of lock body being locked.
2. Push in latch. Depress catch plate with screwdriver. (Figure 2)
3. Pull latch out of lock body and turn latch over. (Figure 3)
4. Push in latch while holding screwdriver behind latch tail. (Figure 5)

**Note:**

Ensure that latch is pushed in until catch plate is no longer depressed. (Figure 4)

5. Rotate lock front to match bevel of door, as shown. (Figure 6)

LOCK HANDING IS CRITICAL TO ENSURE LOCK FUNCTIONS PROPERLY

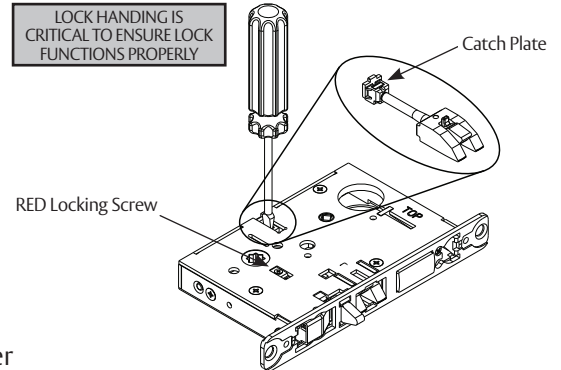


Figure 2

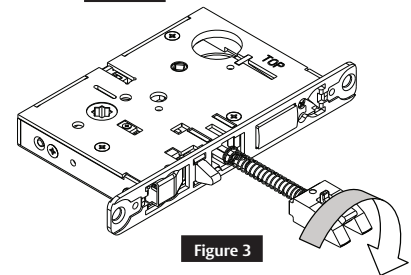


Figure 3

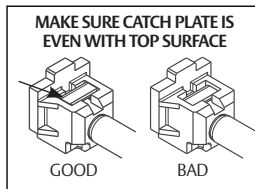


Figure 4

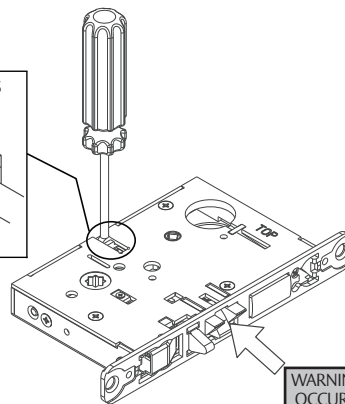


Figure 5

WARNING: LOCK-IN CAN OCCUR IF LATCH IS NOT PROPERLY INSTALLED

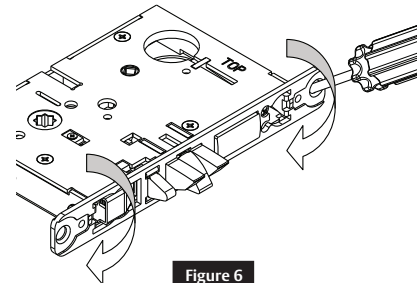


Figure 6

#### 4

#### Rehanding Indicator (if required)

Verify hand and bevel of door. (Figure 7)

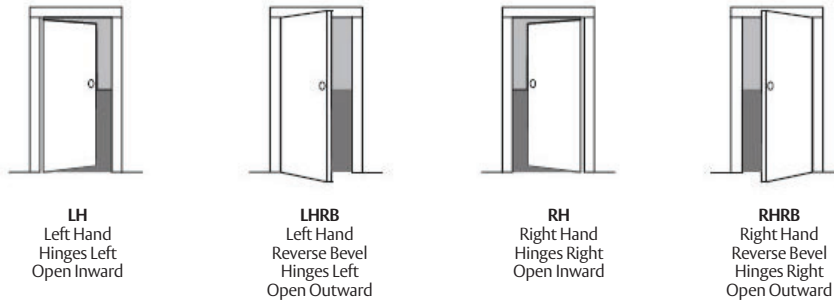


Figure 7



Scan this QR code for the Corbin Russwin Indicator Handing Charts

**Note:**

Stand outside of locked door when determining door hand.

Next, verify inside and/or outside indicators are handed correctly, using Spindle Cam Position chart. (Figure 8) If they are handed correctly, skip to Step 5a Prepare Door. If they are not handed correctly:

1. Remove indicator back plate by pulling out from top slot, then remove spindle cam from assembly. (Figure 9)
2. Position spindle cam in correct direction for door hand. (Figure 8)

**Important:** For thumbturn indicators, make sure thumbturn is positioned in the 12 o'clock direction as shown. (Figure 10)

3. Slide spindle cam post into correct slot of display slide. (Figure 9)
4. Re-seat back plate into original position.
5. Return indicator to the vacant/unlocked position for installation.

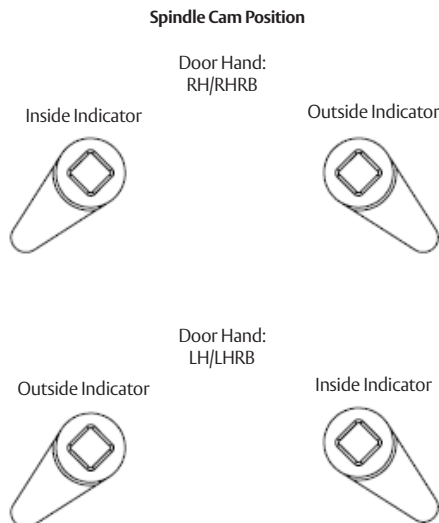


Figure 8

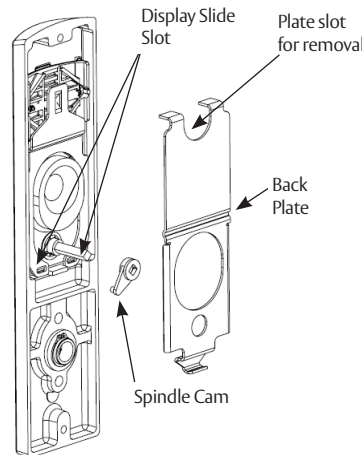


Figure 9

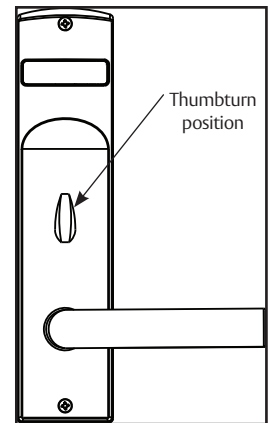


Figure 10

### Installation Instructions

5

## Installation

a

### Prepare Door

Prepare door for function holes, size, and location according to FM500 door marker template, if not already prepped.

b

### Install Strike and Lock

1. Install strike using two (2) 3/4" combination mounting screws. If strike box is needed, insert between strike and door frame. (Figure 11)
2. Make sure handing of lock matches handing of door.
3. Insert mortise lock into door, and temporarily hand tighten two (2) 1" combination screws. (Figure 12)

#### Notes:

- Keep door open until installation is complete.
- Make sure lock is unlocked. If lock has a toggle, push bottom of toggle inward to ensure it is unlocked during installation.

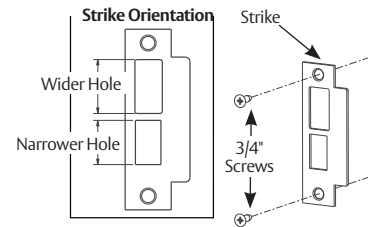


Figure 11

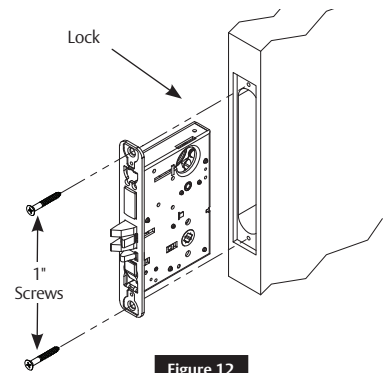


Figure 12

c

### Install Outside Trim (for standard levers or knobs only)

For Muséo® Levers, skip to step 5f Attach Levers to Escutcheons (for Muséo® levers or knobs only) on page 7.

1. Verify the indicator is in the vacant/unlocked position.
2. Align trim posts with vertical holes in door. (Figure 13)
3. Slide outside escutcheon assembly through lock body from outside door face.

#### Note:

If indicator is used on the outside, align hub indicator spindle with diamond hole in control hub of lock. (Figure 14)

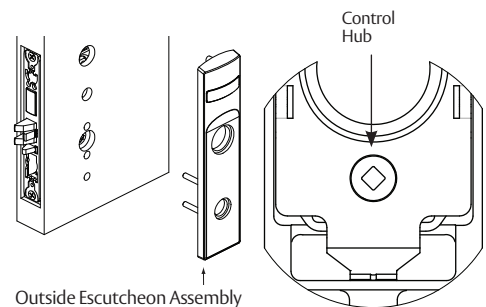


Figure 13

Figure 14

d

### Install Inside Trim (for standard levers or knobs only)

1. Verify the indicator is in the vacant/unlocked position.
2. Align escutcheon and install inside escutcheon assembly onto inside of door face. (Figure 15)

#### Note:

If indicator is used on the inside, align hub indicator spindle with diamond hole in control hub of lock. (Figure 14)

3. Through-bolt inside escutcheon to outside escutcheon with two (2) #8-32 x 2-1/4" screws.

#### Note:

Screw heads should be visible on inside escutcheon.

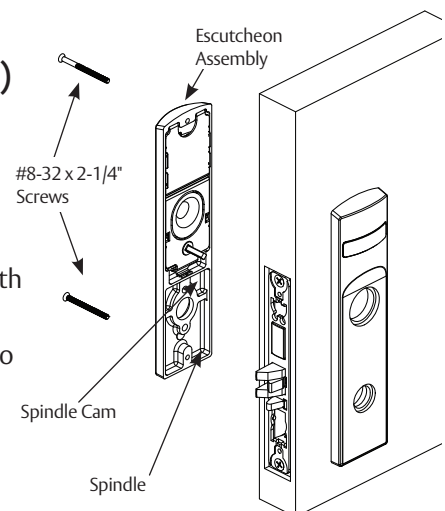


Figure 15

### Installation Instructions

5

## Installation (cont.)

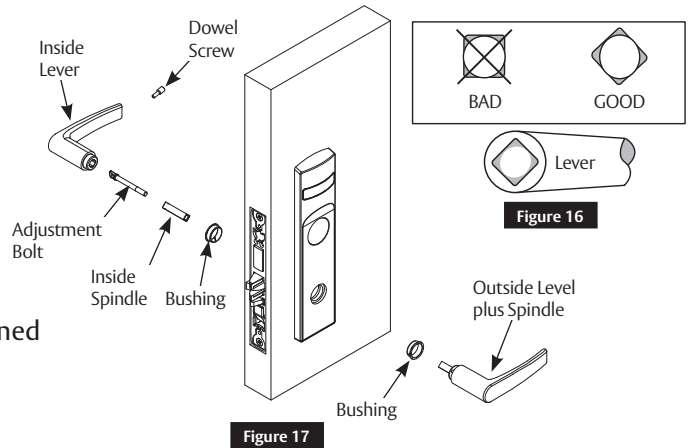
e

### Install Levers (for standard levers or knobs only)

1. Install outside lever or knob by inserting adjustment bolt on opposite side of door. Tighten bolt finger-tight and loosen a few turns. (Figure 17)
2. Install inside lever or knob by inserting dowel screw.

**Notes:**

- Use correct spindle orientation. (Figure 16)
- Make sure adjustment bolt hole is aligned with lever or knob hole. (Figure 18)



f

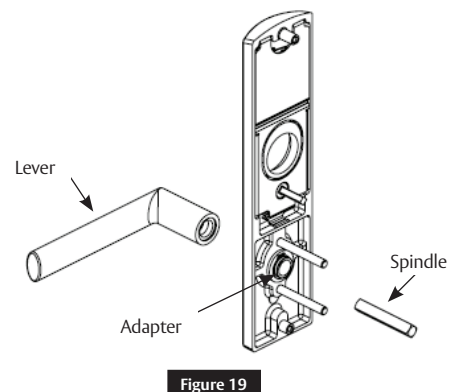
### Attach Levers to Escutcheons (for Muséo® levers only)

For Standard levers, skip to Step 5i Install Cylinder on page 9.

1. Thread lever onto adapter. (Figure 19)
2. Insert spindle into adapter and fully tighten onto lever. Loosen smallest amount that allows spindle to engage lever.
3. Verify correct spindle orientation with lever held horizontally. (Figure 20)

**Note:**

Must attach Muséo® Levers to both outside and inside escutcheon.



5

## Installation (cont.)

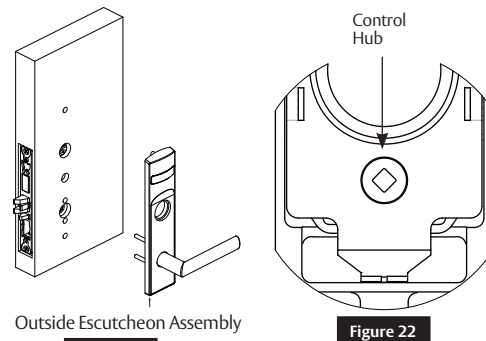
g

### Install Outside Trim (for Muséo® levers only)

1. Verify the indicator is in the vacant/unlocked position.
2. Align trim posts with vertical holes in door, and be sure lever is horizontal. (Figure 21)
3. Slide outside escutcheon assembly through lock body from outside door face.

**Note:**

If indicator is used on the outside, align hub indicator spindle with diamond hole in control hub of lock. (Figure 22)



h

### Install Inside Trim (for Muséo® levers only)

1. Verify the indicator is in the vacant/unlocked position.
2. Align escutcheon, and be sure lever is horizontal. (Figure 23)
3. Install inside escutcheon assembly onto inside of door face.

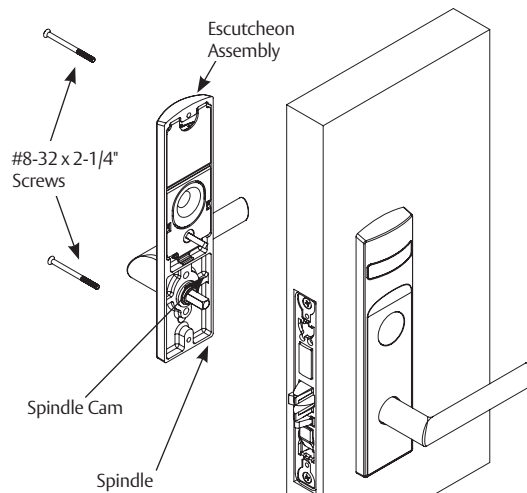
**Note:**

If indicator is used on the inside, align hub indicator spindle with diamond hole in control hub of lock. (Figure 22)

4. Through-bolt inside escutcheon to outside escutcheon with two (2) #8-32 x 2-1/4" screws.

**Note:**

Screw heads should be visible on inside escutcheon.





# ML2000 Series Mortise Lock

Used with VN Escutcheon Trim and V Series Indicators



ASSA ABLOY

## Installation Instructions

5

### Installation (cont.)

i

#### Install Cylinder

1. Thread cylinder into lock until flush with escutcheon surface. (Figure 24)
  - Pull key slightly out of cylinder to help thread into lock body.
2. Install cylinder clamp screw with a #1 Phillips screwdriver.
  - Check operation, and adjust cylinder if necessary.

#### Notes:

- Corbin Russwin logo must be horizontal and on top. (Figure 25)
- If double cylinder function is used, repeat steps 1 and 2 for second cylinder.

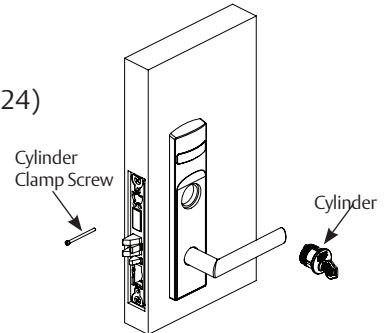


Figure 24

j

#### Install Outside Front

1. Tighten the two (2) lock screws completely. (Figure 26)
2. Attach outside front with two (2) flat head screws #8-32 x 1/4".

Key and cylinder must be rotated as shown.

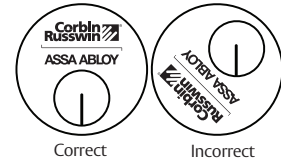


Figure 25

k

#### Perform Functional Check

DO NOT FORCE if resistance is encountered during functional check. Refer back to Rehandling Indicator section (if required) to ensure correct handing. Rehand if necessary.

1. Insert key into cylinder (if present) and rotate.
  - Ensure there is no friction against lock case or any other obstructions.
2. Check key retracts latch.
  - Key should rotate freely.
3. Throw deadbolt (if present).
  - Check key retracts both deadbolt and latch.
4. Test levers.
  - Confirm latch and deadbolt (if installed) retract.
5. Verify indicator displays correct status when locked and unlocked.

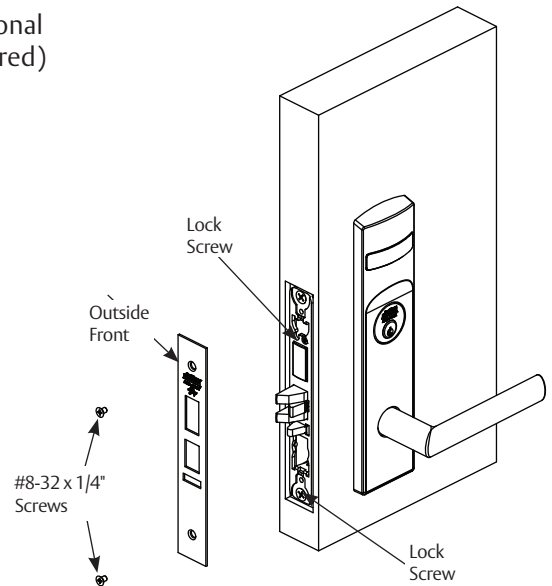


Figure 26

# ML2000 Series Mortise Lock

Used with VN Escutcheon Trim and V Series Indicators

## Installation Instructions



ASSA ABLOY

### 6

### Indicator Parts

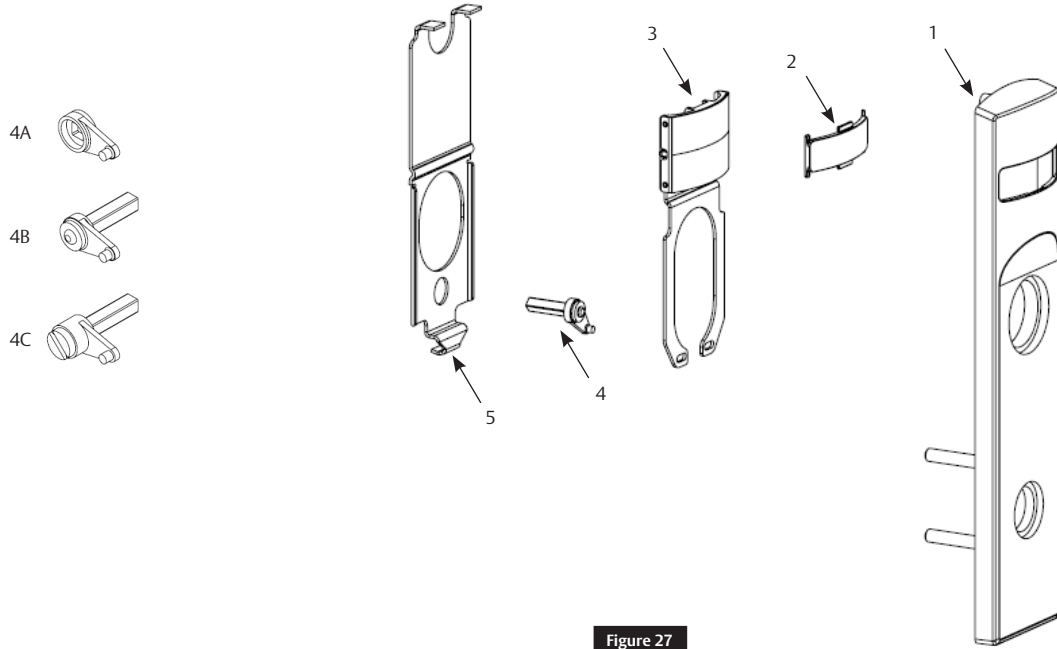


Figure 27

Figure 27	Description	Part Number	Required
1	VN Indicator Escutcheon	Consult Factory	1
2	Indicator Window	856F049	1
3	Indicator Display Assembly – Green ‘Unlocked’ / Red ‘Locked’	858F241	1
	Indicator Display Assembly – Green ‘Vacant’ / Red ‘Occupied’	858F251	
	Indicator Display Assembly – Green Unlocked Icon / Red Locked Icon	858F261	
	Indicator Display Assembly – White ‘Unlocked’ / Red ‘Locked’	858F271	
	Indicator Display Assembly – White ‘Vacant’ / Red ‘Occupied’	858F281	
	Indicator Display Assembly – White Unlocked Icon / Red Locked Icon	858F291	
4A	Indicator Spindle Cam – Thumbturn	855F619	1
4B	Indicator Spindle Cam – Cylinder / No Input/Blank	855F707*	1
4C	Indicator Spindle Cam – Coin Turn	855F747*	1
5	Indicator Escutcheon Back Plate	855F638	1
6	VN Escutcheon Screw Pack (Not shown)	858F517 x finish*	1
7	Door Marker Template (Not shown)	FM500	1

\* These parts are for 1-3/4" standard thickness doors. For other thicknesses, please consult factory.

**Note:**

Reference ML2000 parts manual for all lock body parts.

# ML2000 Series Mortise Lock

Used with VN Escutcheon Trim and V Series Indicators

## Installation Instructions



**ASSA ABLOY**

