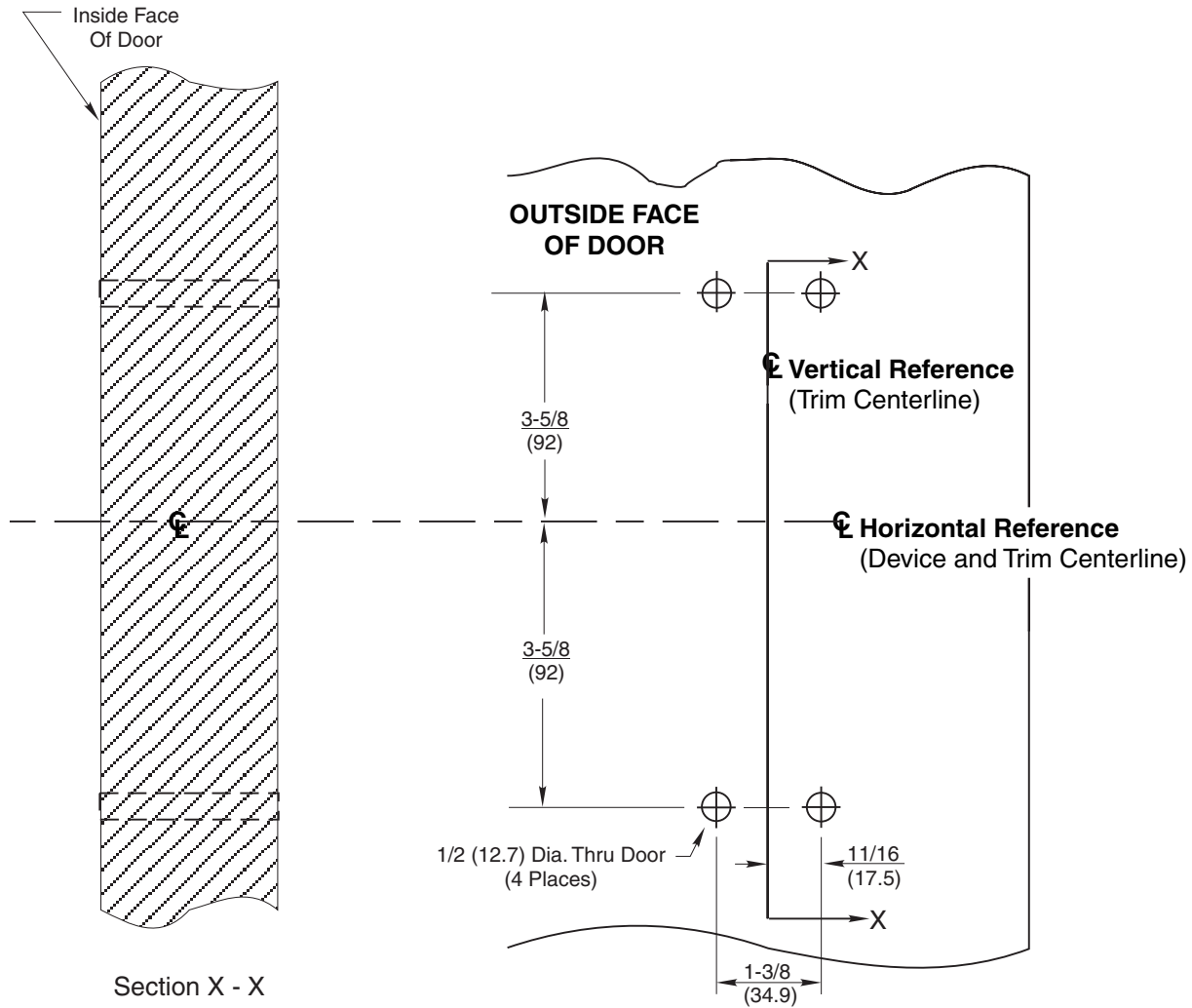
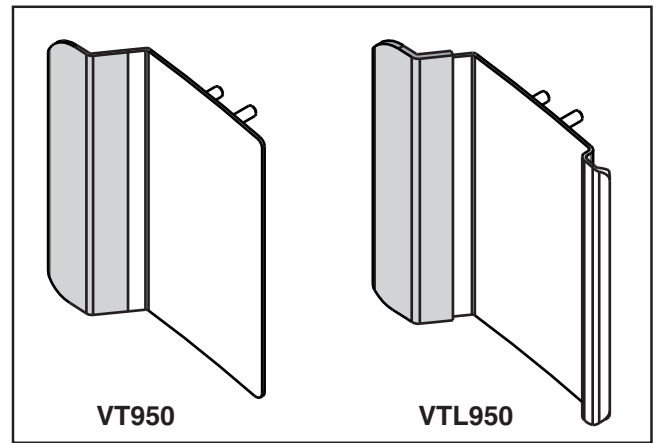


**Notes:**

1. This template is an addition to the device template. Locate centerlines using horizontal and vertical references on device template.
2. Do not scale drawing.
3. Dimensions are in inches (mm).
4. LHR door shown. Preparation is typical for both door hands.
5. Provide adequate internal support to maintain door integrity during operation.
6. Prepare mounting holes when installing trim.



**VT950 & VTL950 Series Trim**  
 With ED5200, ED5400 or ED5800 Series  
 Rim, SecureBolt, and Vertical Rod Exit Devices  
**Wood or Composite Door Preparation**



**ASSA ABLOY**

www.corbinruswin.com

SUPERSEDES	DO NOT SCALE DRAWING
TEMPLATE NUMBER	DATE
	<b>T31087 11-08</b>