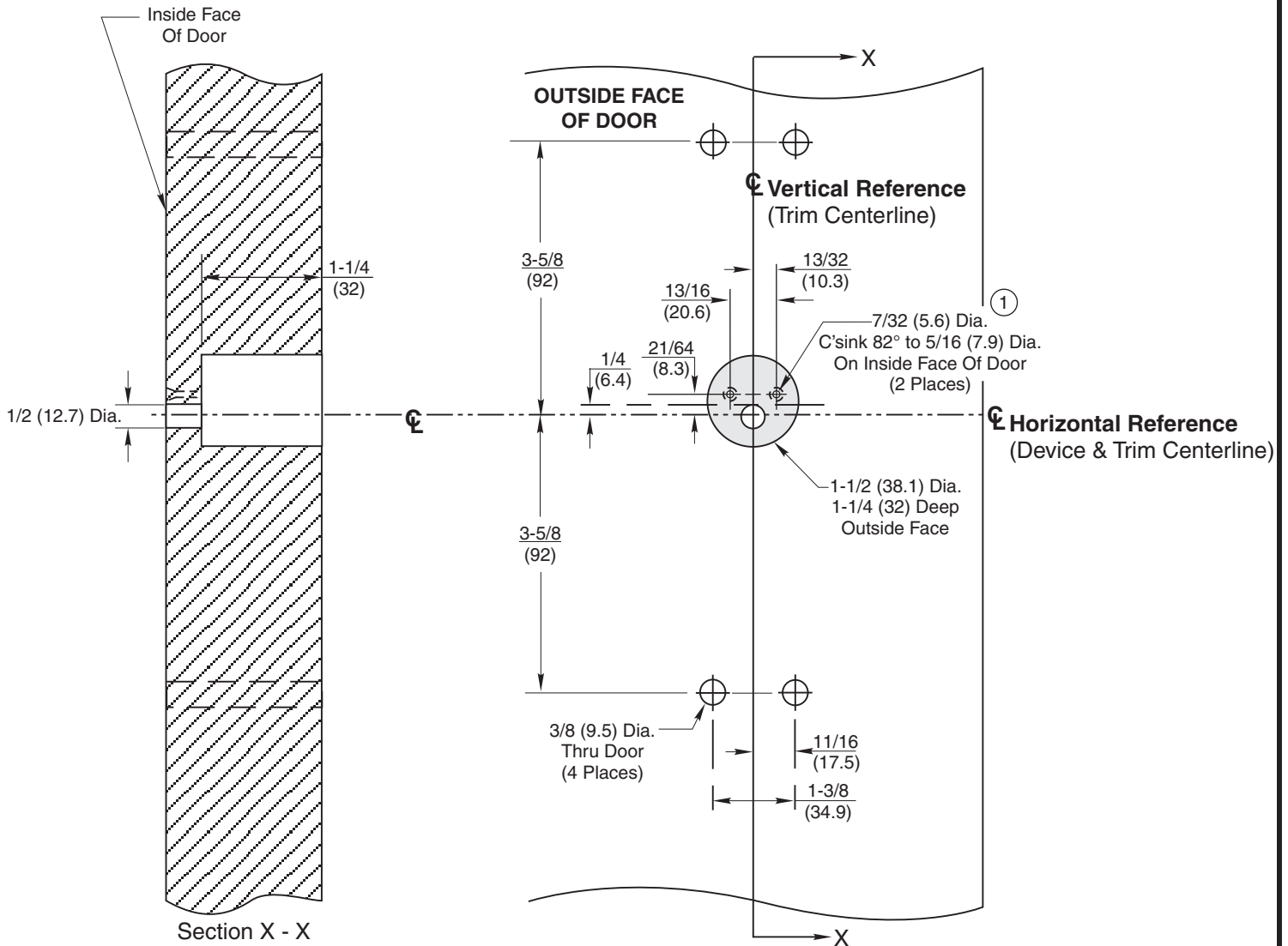
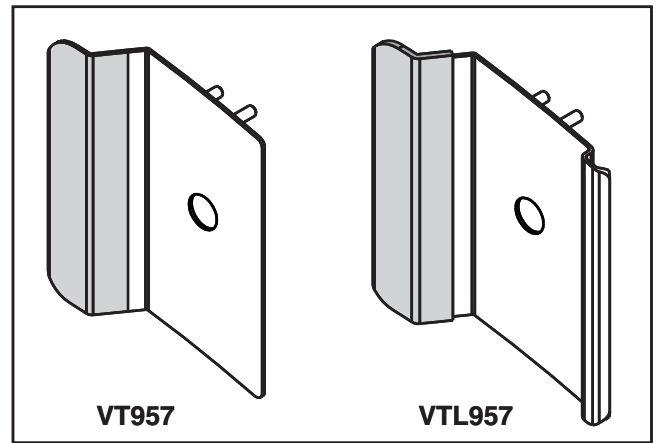


**Notes:**

1. This template is an addition to the device template. Locate centerlines using horizontal and vertical references on device template.
2. Do not scale drawing.
3. Dimensions are in inches (mm).
4. RHR door shown. Preparation is typical for both door hands.
5. Provide adequate structural support to maintain door integrity during operation.
6. Prepare mounting holes when installing trim.
7. Dimensions given about a centerline are symmetrical.



**VT957 & VTL957 Series Trim**  
 With ED5200, ED5400 or ED5800 Series  
 Rim, SecureBolt™, and Vertical Rod Exit Devices  
**Wood or Composite Door Preparation**



**ASSA ABLOY**

www.corbinruswin.com

SUPERSEDES	T31089	DO NOT SCALE DRAWING
TEMPLATE NUMBER	T31089-1	DATE 08-09