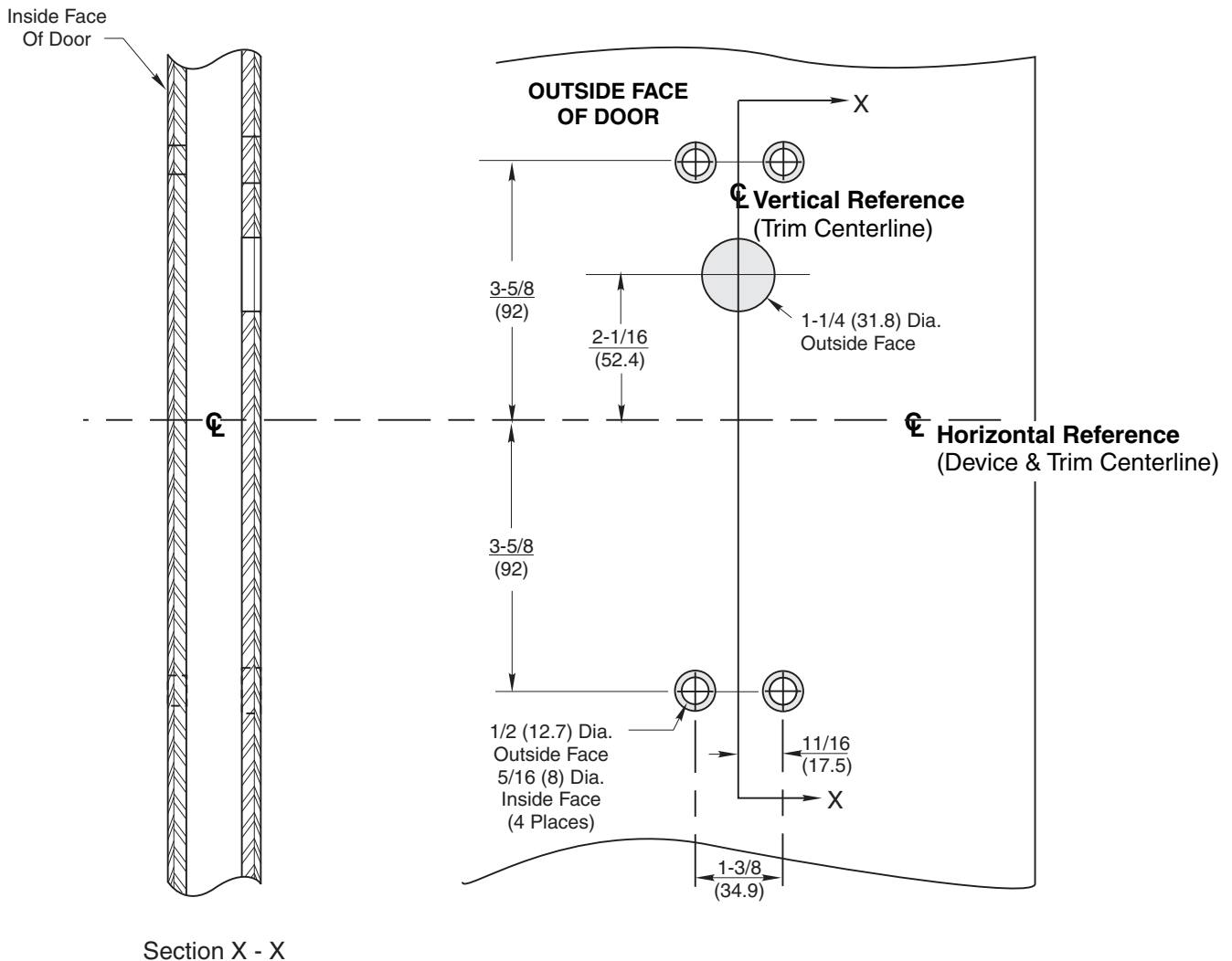
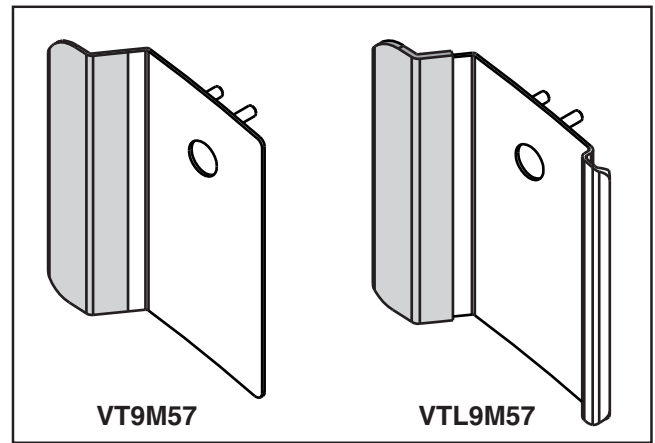


Notes:

1. This template is an addition to the device template. Locate centerlines using horizontal and vertical references on device template.
2. Do not scale drawing.
3. Dimensions are in inches (mm).
4. LHR door shown. Preparation is typical for both door hands.
5. For door reinforcement see template T30800.
6. Prepare mounting holes when installing trim.
7. Provide adequate internal support to prevent door deformation after trim is bolted to the device.



Section X - X

**VT9M57 & VTL9M57 Series Trim
With ED5600 Series Mortise Exit Devices
Metal Door Preparation**



ASSA ABLOY

www.corbinruswin.com

| | |
|-----------------|----------------------|
| SUPERSEDES | DO NOT SCALE DRAWING |
| TEMPLATE NUMBER | DATE |

T31090 11-08