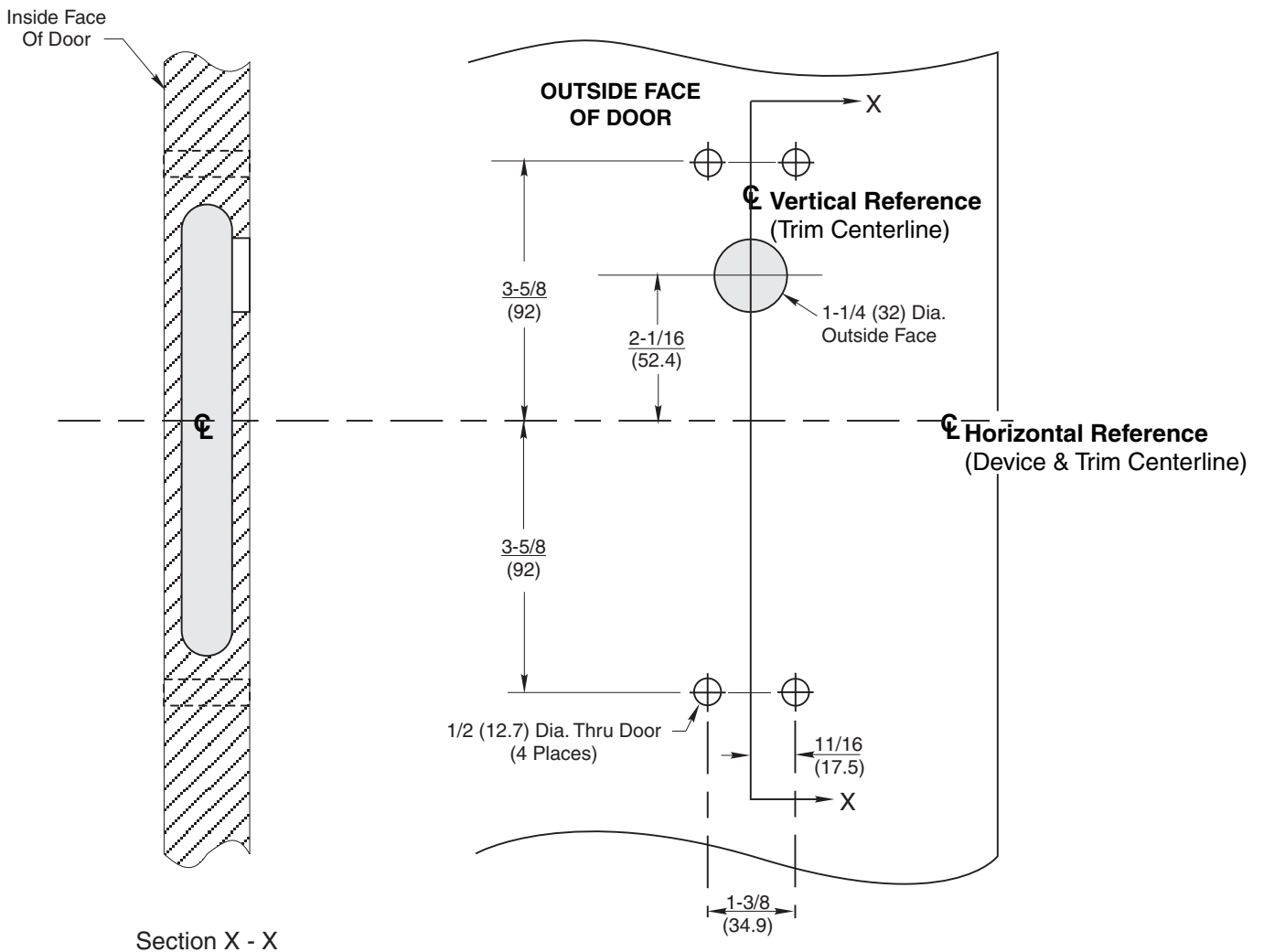
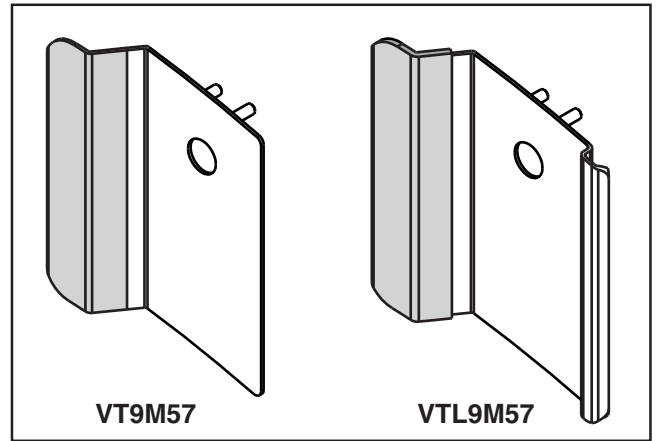


Notes:

1. This template is an addition to the device template.
Locate centerlines using horizontal and vertical references on device template.
2. Do not scale drawing.
3. Dimensions are in inches (mm).
4. LHR door shown. Preparation is typical for both door hands.
5. Shaded area represents mortise lock cavity from device template.
6. Prepare mounting holes when installing trim.
7. Provide adequate structural support to maintain door integrity during operation.



**VT9M57 & VTL9M57 Series Trim
With ED5600 Series Mortise Exit Devices
Wood or Composite Door Preparation**



ASSA ABLOY

www.corbinruswin.com

SUPERSEDES	DO NOT SCALE DRAWING
TEMPLATE NUMBER	DATE
	T31091 11-08