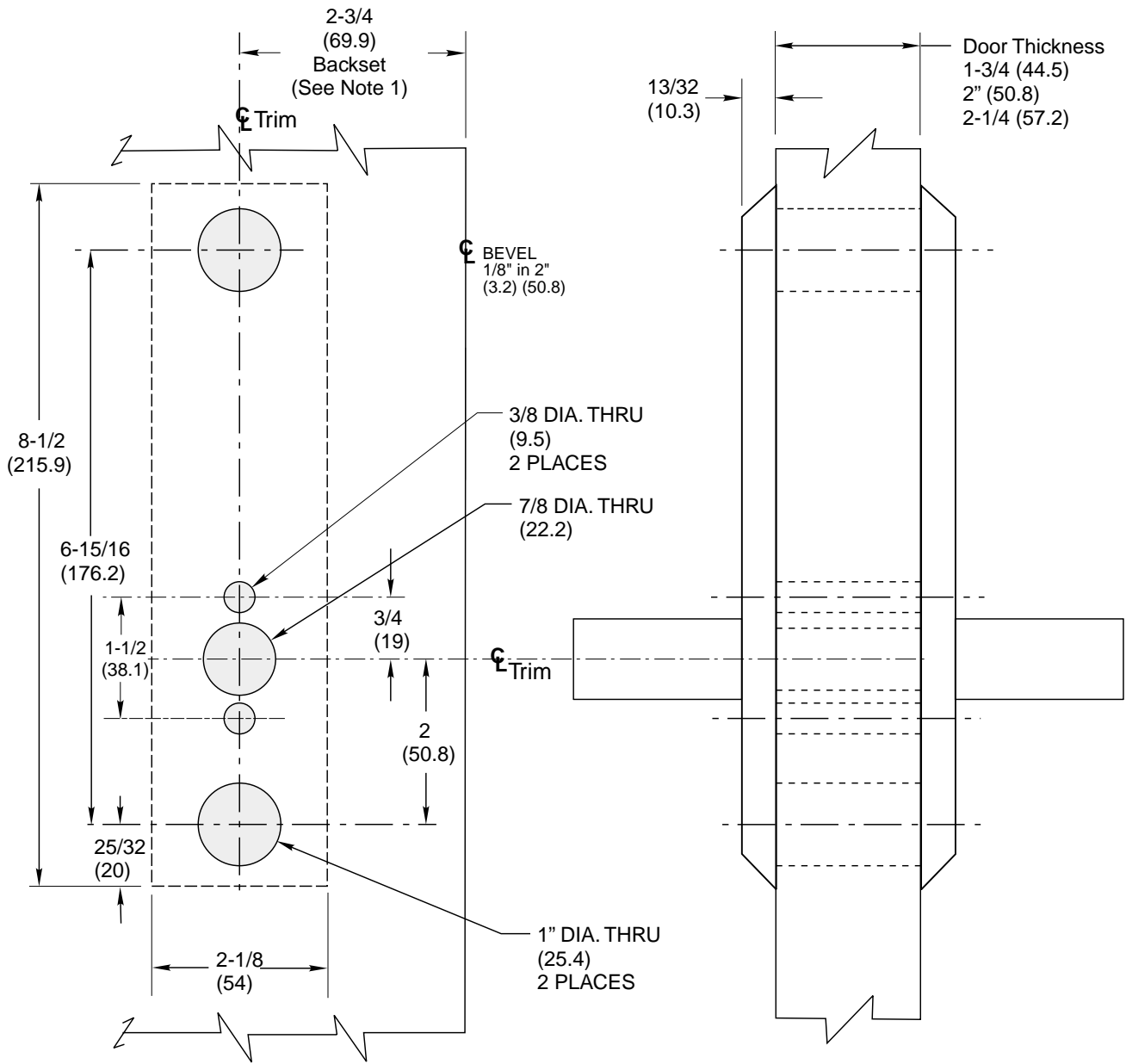


Notes:

1. Backset is measured from centerline of bevel which is centerpoint of door thickness.
2. Refer to mortise lock template for cylinder and turnpiece or indicator preps when required.
3. Dimensions given in inches and (mm).



RESPONSIBILITY

Door and Frame Manufacturers are responsible for providing adequate construction or reinforcements for proper installation of hardware shown. All architectural builders hardware must be installed on properly reinforced doors and frames, regardless of the type, material, or method of construction.

ML2000 Vandal Resistant

Lever Trim



www.corbinrusswin.com

Drawing Not To Scale

Supersedes	Dr. SJL	App.
Date 5-01	Template Number T30946	