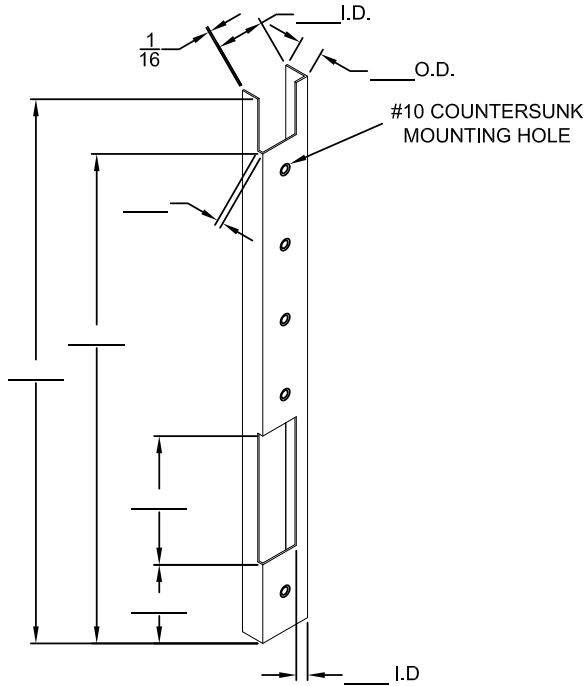


CUSTOM EDGE GUARD ORDER FORM

HINGE SIDE

THE #10 COUNTERSUNK MOUNTING HOLE QUANTITY AND LOCATION WILL BE DETERMINED AFTER RECEIVING HINGE LOCATION DIMENSIONS.



- A538CS
- A538CSM

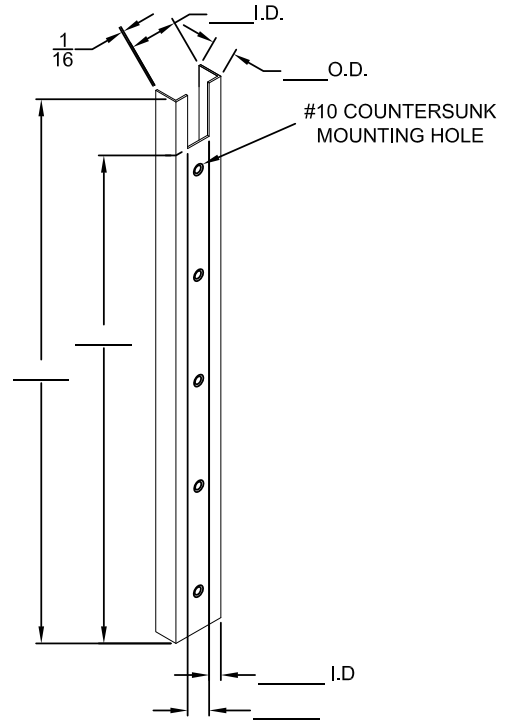
RH QTY. _____
 LH QTY. _____

- A538CB
- A538CBM

RH QTY. _____
 LH QTY. _____

STRIKE SIDE

THE #10 COUNTERSUNK MOUNTING HOLE QUANTITY AND LOCATION WILL BE DETERMINED AFTER RECEIVING HINGE LOCATION DIMENSIONS.



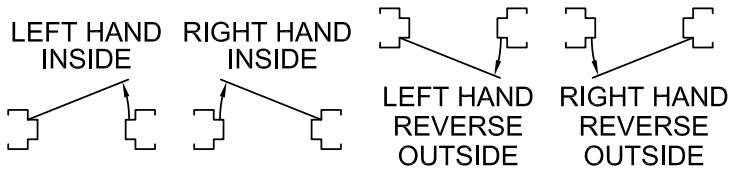
- A528S
- A528SM

RH QTY. _____
 LH QTY. _____

- A528B
- A528BM

RH QTY. _____
 LH QTY. _____

PROVIDE MANUFACTURER TEMPLATE FOR EACH CUTOUT (CENTERED)



- HOLLOW METAL DOOR
- WOOD DOOR

EDGE GUARD ORDER FORM-INTERNATIONAL DOOR CLOSER-03-01.DWG

INTERNATIONAL DOOR CLOSER

1140 KRAEMER PLACE, ANAHEIM, CA 92806
 TEL: (714) 666-0390 (800) 544-4422
 FAX: (714) 666-2215

A528, A538, A548

REVISED 01-22-10