

D1- TOP DOOR PIVOT PORTION ORDER FORM

ORDER DATE:

CUSTOMER NAME:

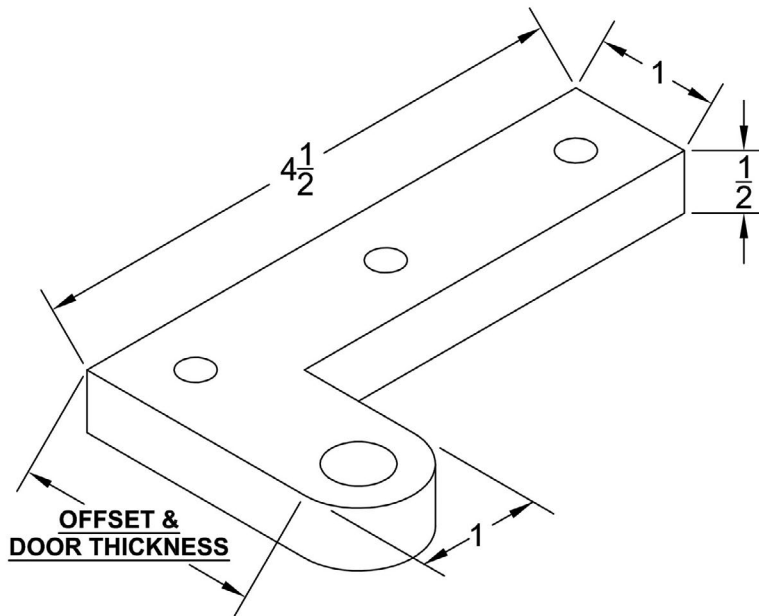
CUSTOMER P.O. NO.:

CUSTOMER SIGNATURE:

QUANTITY:

QTY. LEFT HAND:

QTY RIGHT HAND:



RIGHT HAND SHOWN
SCREW: 1-1/4 x #12

THRUST BEARINGS AND/OR
NEEDLE BEARINGS ADDED FOR
EXCESSIVE WEIGHT AND HEIGHT

ALTERNATE FOR DOORS OVER 200 lbs.
IS $\frac{1}{2}$ " x 1" STOCK - 1-1/2" x #14 SCREWS

ALL PIVOTS ARE CUSTOM MADE TO SUIT JOB CONDITION

DOOR THICKNESS

1-3/4"

2-1/4"

OTHER

OFFSET

3/8"

3/4"

OTHER



E-mail: sales@fcbp.com

First Choice Building Products, LLC.
1222 Ardmore Avenue, Itasca 60143

800-793-4544 • FAX 800-867-5016 • www.fcbp.com

- Download File
- Fill out form & Save
- SUBMIT
- Attach File & Send



ALL PIVOTS ARE CUSTOM MADE TO SUIT JOB CONDITION