

D4 / D4i - DOOR BACK PORTION OFFSET PIVOT HINGE - ORDER FORM

ORDER DATE:

CUSTOMER NAME:

CUSTOMER P.O. NO.:

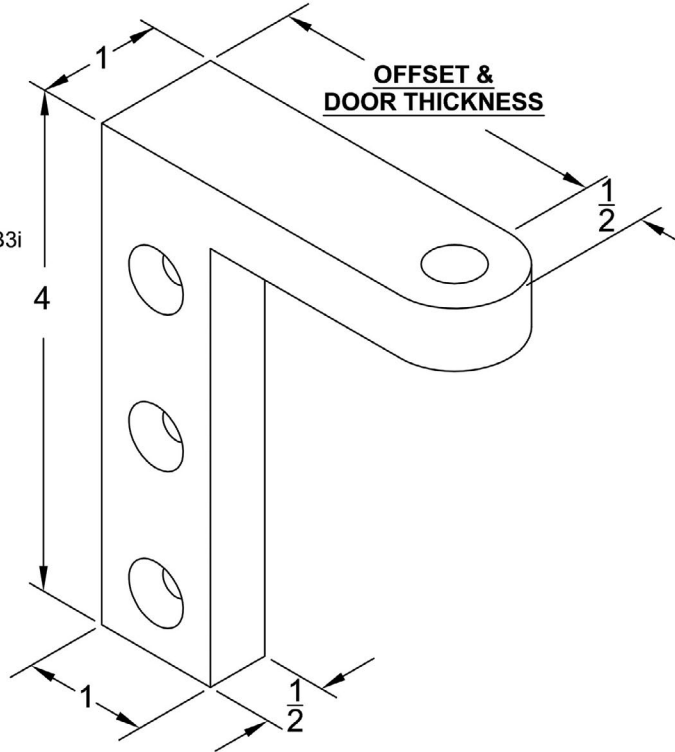
CUSTOMER SIGNATURE:

QUANTITY:

QTY. LEFT HAND:

QTY RIGHT HAND:

D4 / D4i
 D4i IS USED WITH T5i OR B3i
 AS AN INTERMEDIATE
 SIDE JAMB PIVOT
 SET AS: T5i x D4i



RIGHT HAND SHOWN
 SCREW: 1-1/4 x #12

THRUST BEARINGS AND/OR
 NEEDLE BEARINGS ADDED FOR
 EXCESSIVE WEIGHT AND HEIGHT

ALTERNATE FOR DOORS OVER 200 lbs.
 IS 1/2" x 1" STOCK - 1-1/2" x #14 SCREWS

ALL PIVOTS ARE CUSTOM MADE TO SUIT JOB CONDITION

DOOR THICKNESS

1-3/4"

2-1/4"

OTHER

OFFSET

3/8"

3/4"

OTHER



E-mail: sales@fcbp.com

First Choice Building Products, LLC.
 1222 Ardmore Avenue, Itasca 60143

800-793-4544 • FAX 800-867-5016 • www.fcbp.com

- Download File
- Fill out form & Save
- SUBMIT
- Attach File & Send

Submit

ALL PIVOTS ARE CUSTOM MADE TO SUIT JOB CONDITION