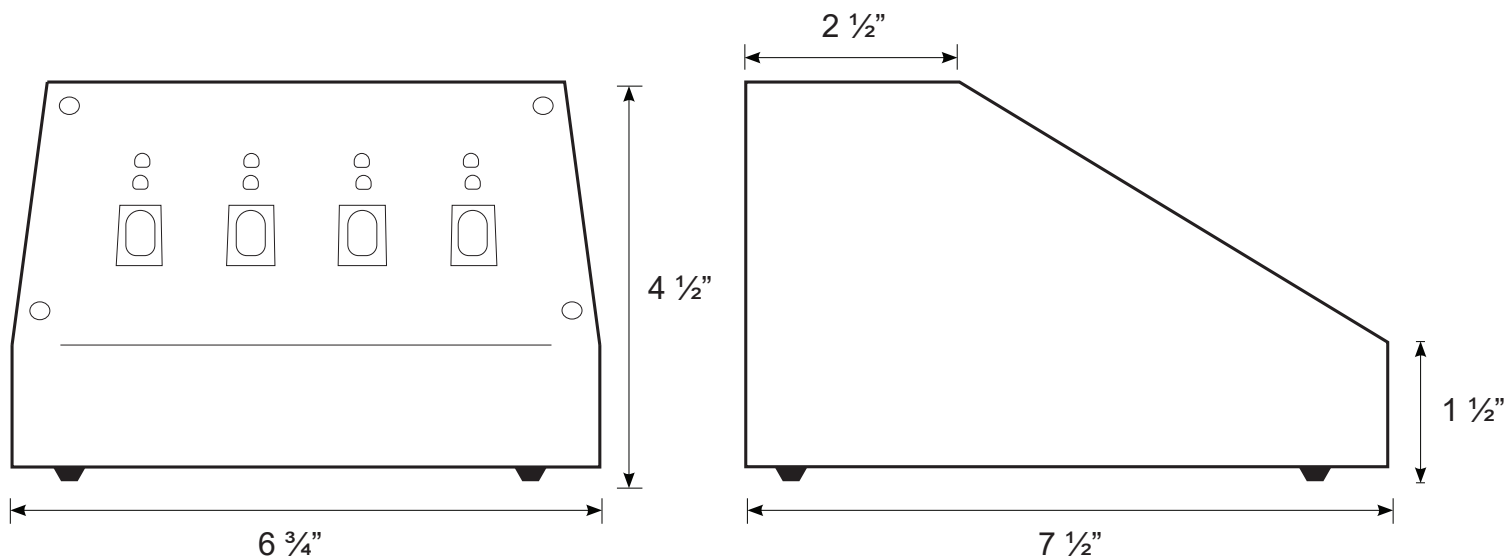


DESK TOP CONSOLE

The DTC Series Desk Top Consoles by Command Access offer configurations for 1 to 4 zones. Each zone offers two relays (1-Momentary, 1-Maintained) that can be wired to work independently or together. Additionally, there are status LEDs that can be configured for Green (closed and secure), RED (unauthorized open) and YELLOW (authorized unlocked/open).



SPECIFICATIONS

Dimensions:

6-3/4" Wide
4-1/2" Height
7-1/2" Deep

Power Requirements/zone:

12VDC or 24VDC, 0.100 Amps

Momentary (MO) Relay:

SPDT 2.0 Amps @ 30VDC

Maintained (MA) Relay:

SPDT 2.0 Amps @ 30VDC

LED Indicators:

1- Green
1- Red/Yellow Combination

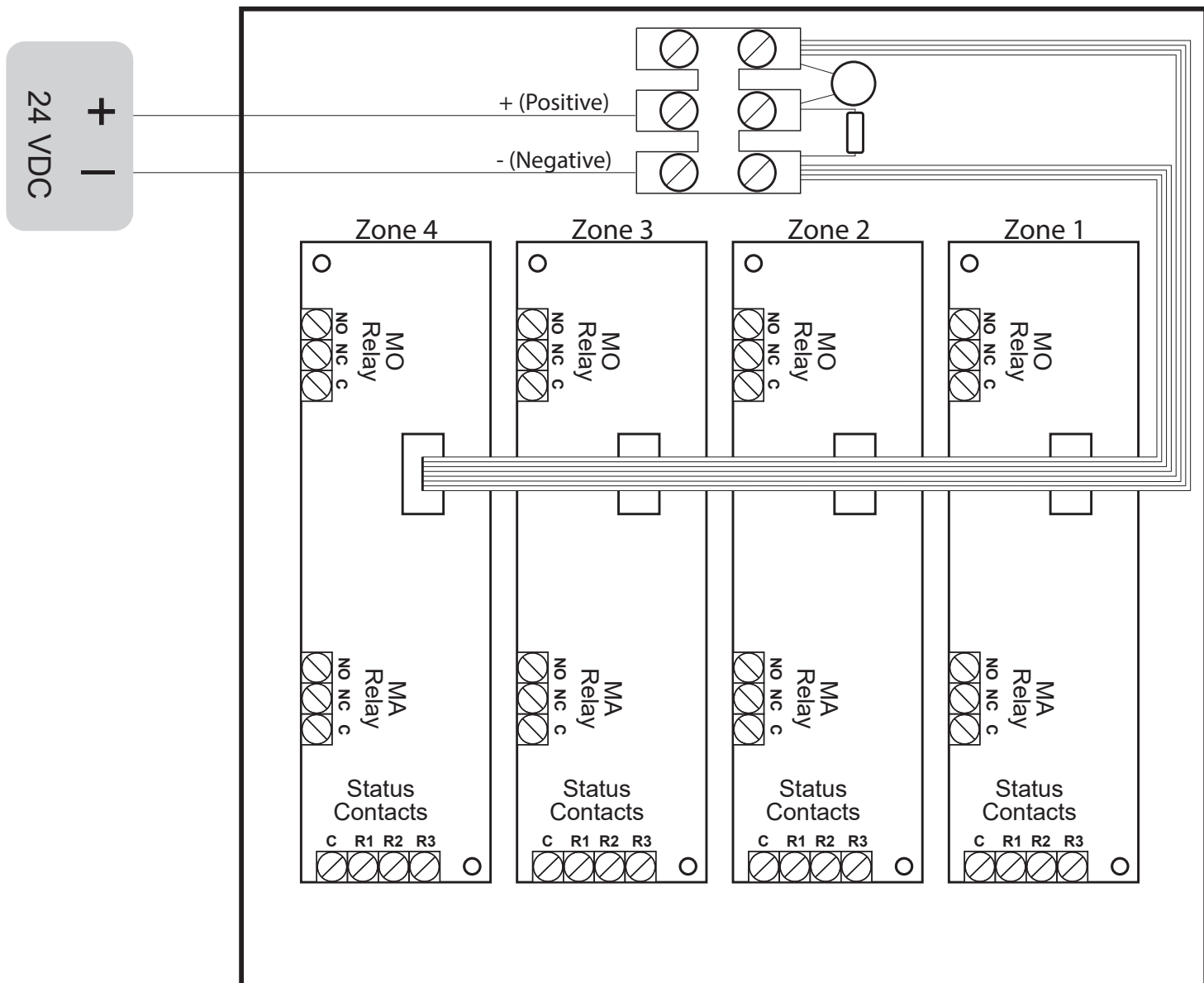
Power Control Wiring:

Minimum 18AWG

Signal Wiring:

Minimum 22AWG

BACK SIDE OF DTC



MO Relay = Momentary Relay, SPDT, 2.0 Amp @ 30VDC
 MA Relay = Maintained Relay, SPDT, 2.0 Amp @ 30VDC

Status LED Contacts:

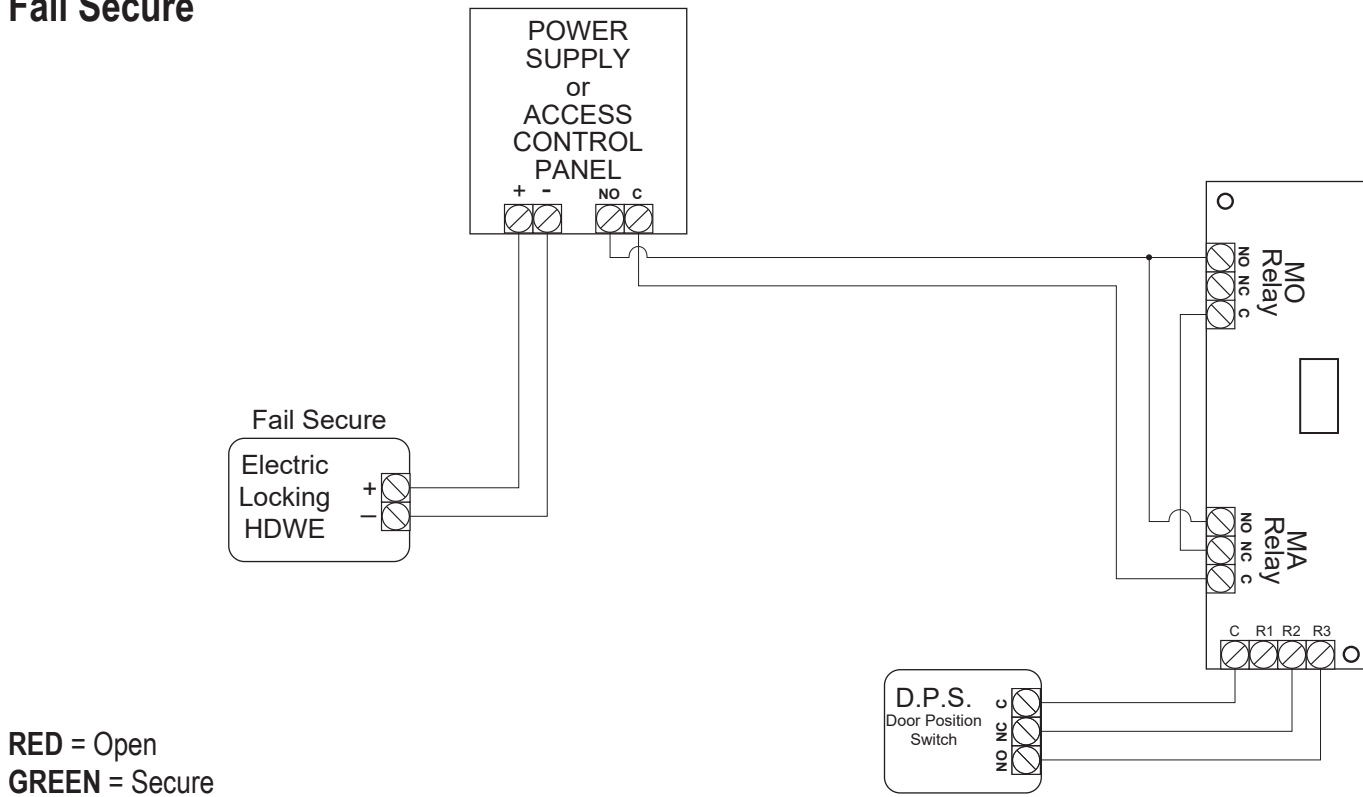
- C = Common (+)
- R1 = Yellow
- R2 = Green
- R3 = Red

See sample wiring diagrams for typical per zone applications

DRY CONTACT - 1 ZONE MOMA ACTIVATION CONTROL

Fail Secure

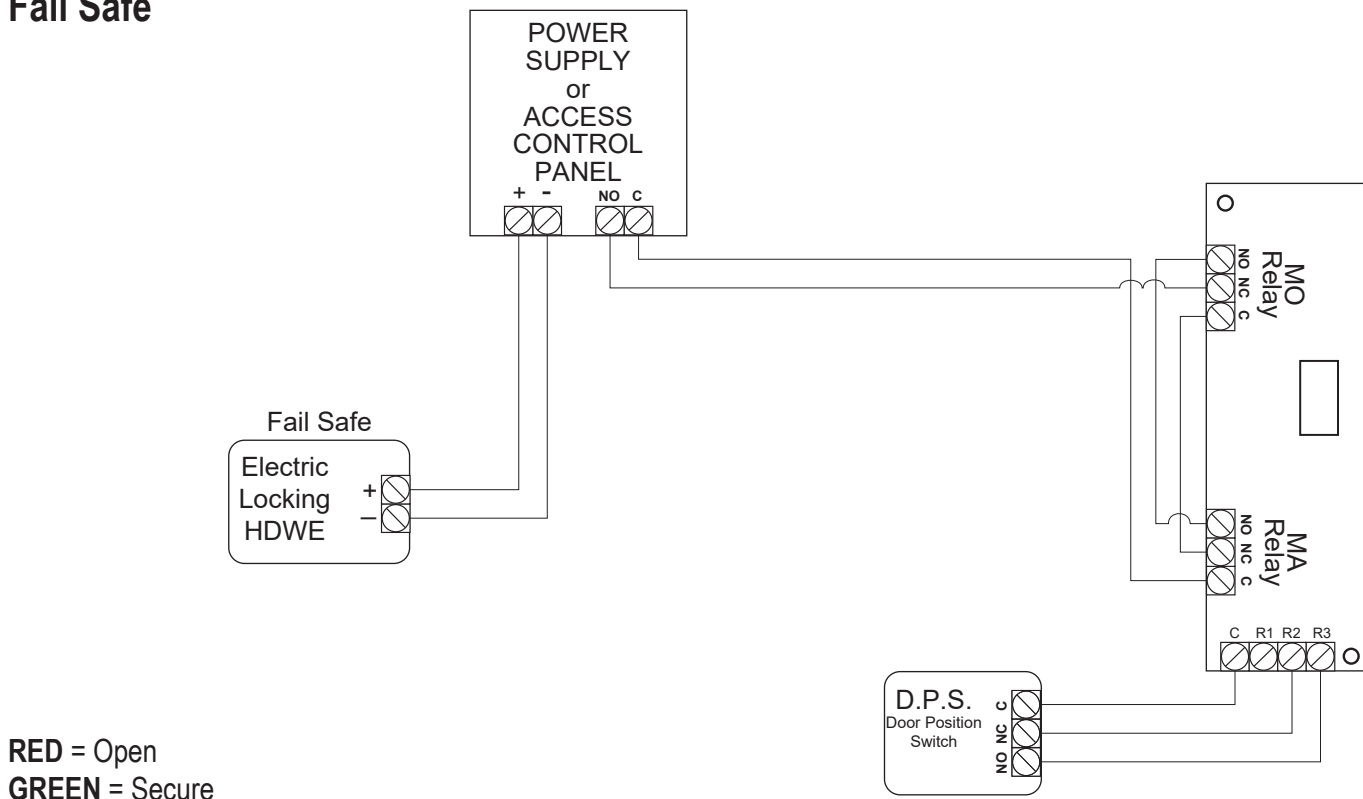
Diagram 1A



RED = Open
GREEN = Secure

Fail Safe

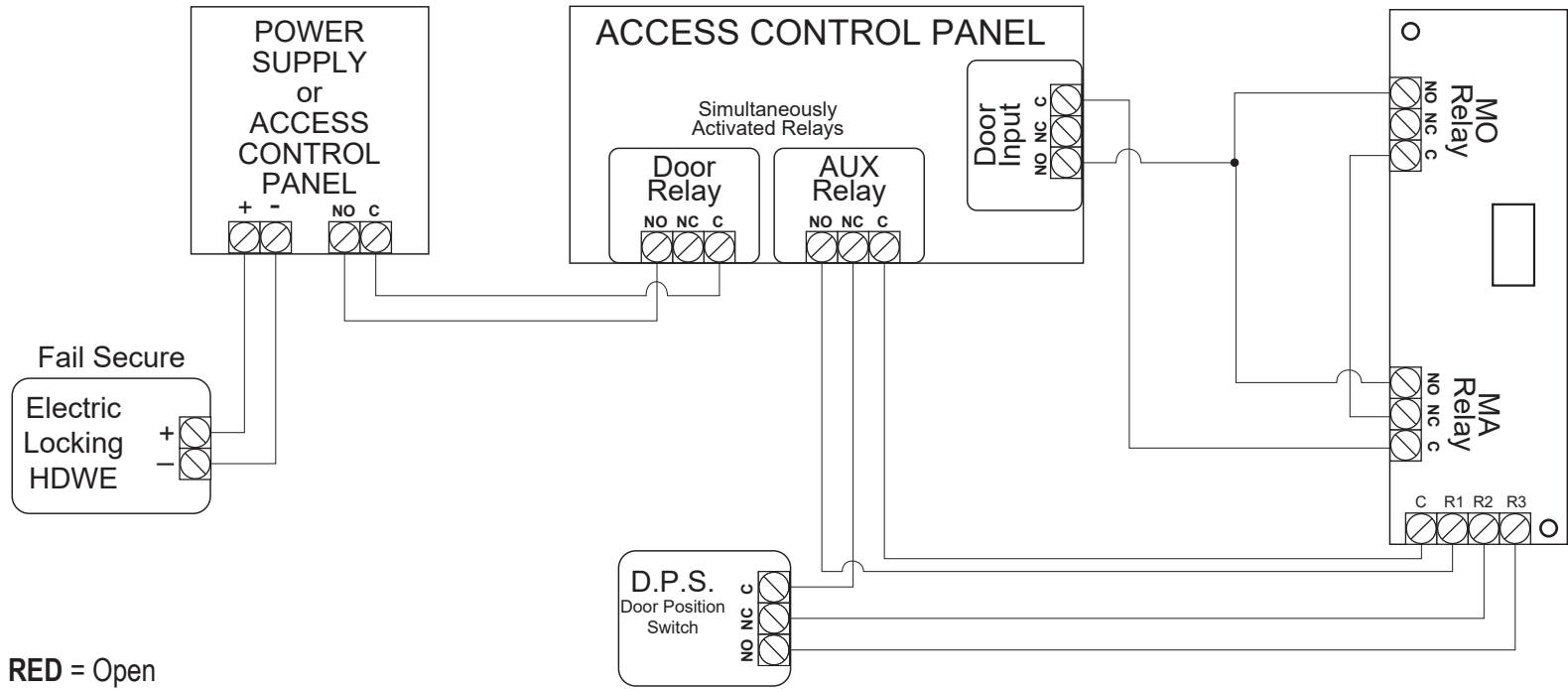
Diagram 1B



RED = Open
GREEN = Secure

Fail Secure

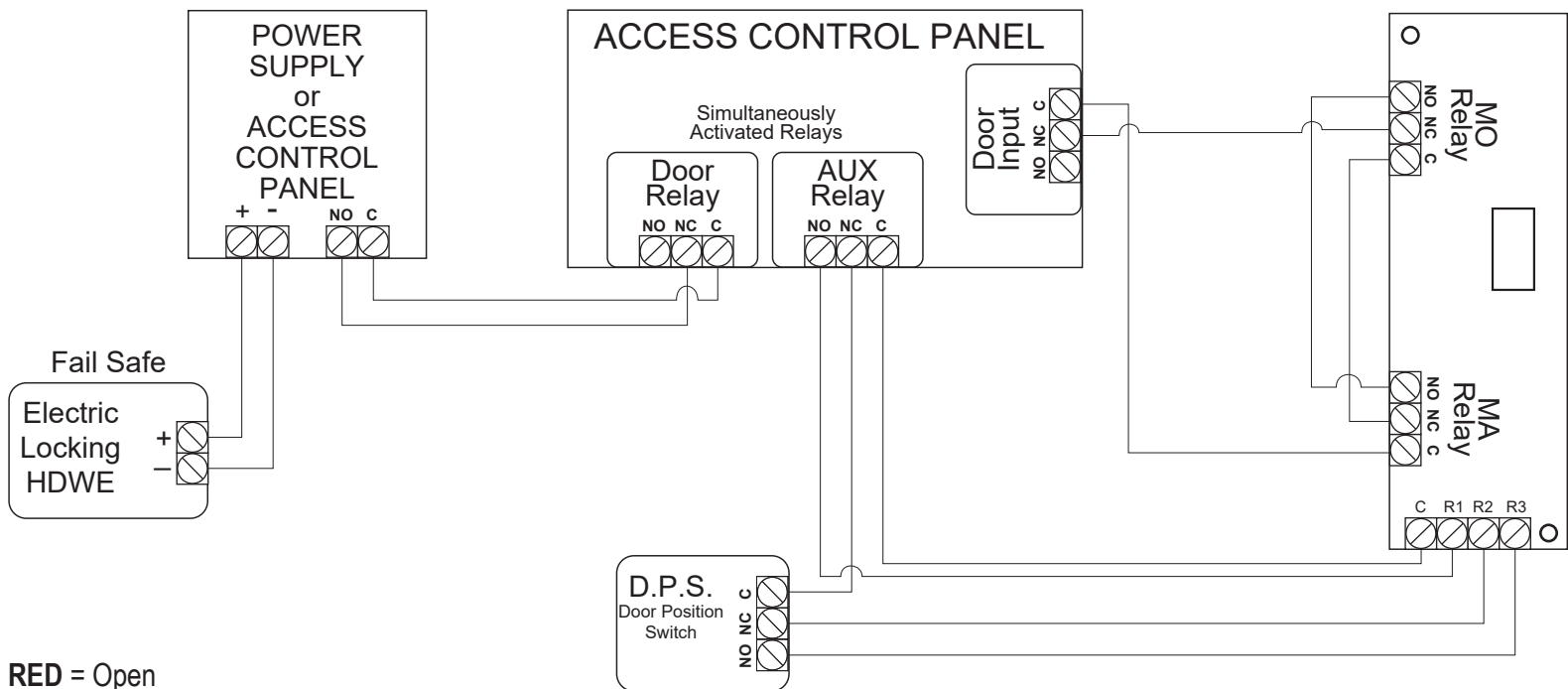
Diagram 2A



RED = Open
 GREEN = Secure
 YELLOW = Maintained Unlocked

Fail Safe

Diagram 2B

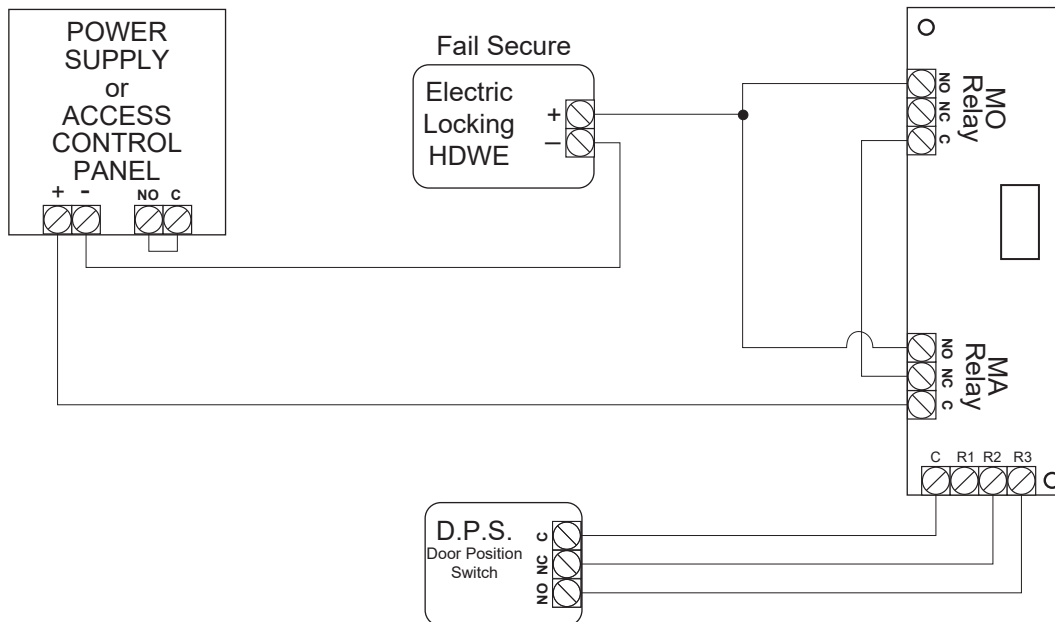


RED = Open
 GREEN = Secure
 YELLOW = Maintained Unlocked

WET CONTACT - 1 ZONE MOMA ACTIVATION TO POWER SUPPLY

Fail Secure

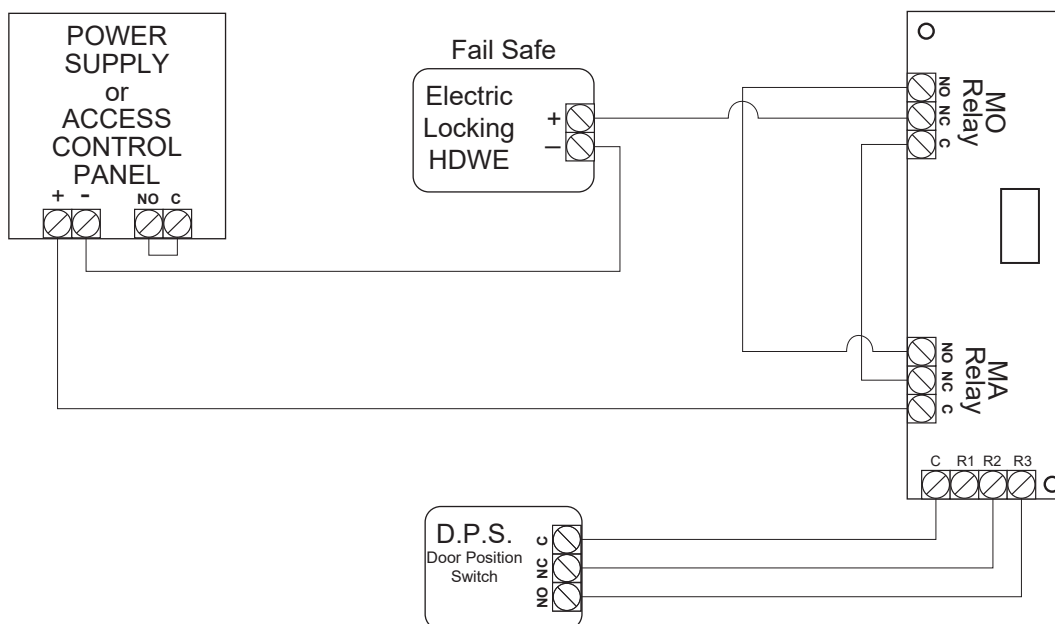
Diagram 3A



RED = Open
GREEN = Secure

Fail Safe

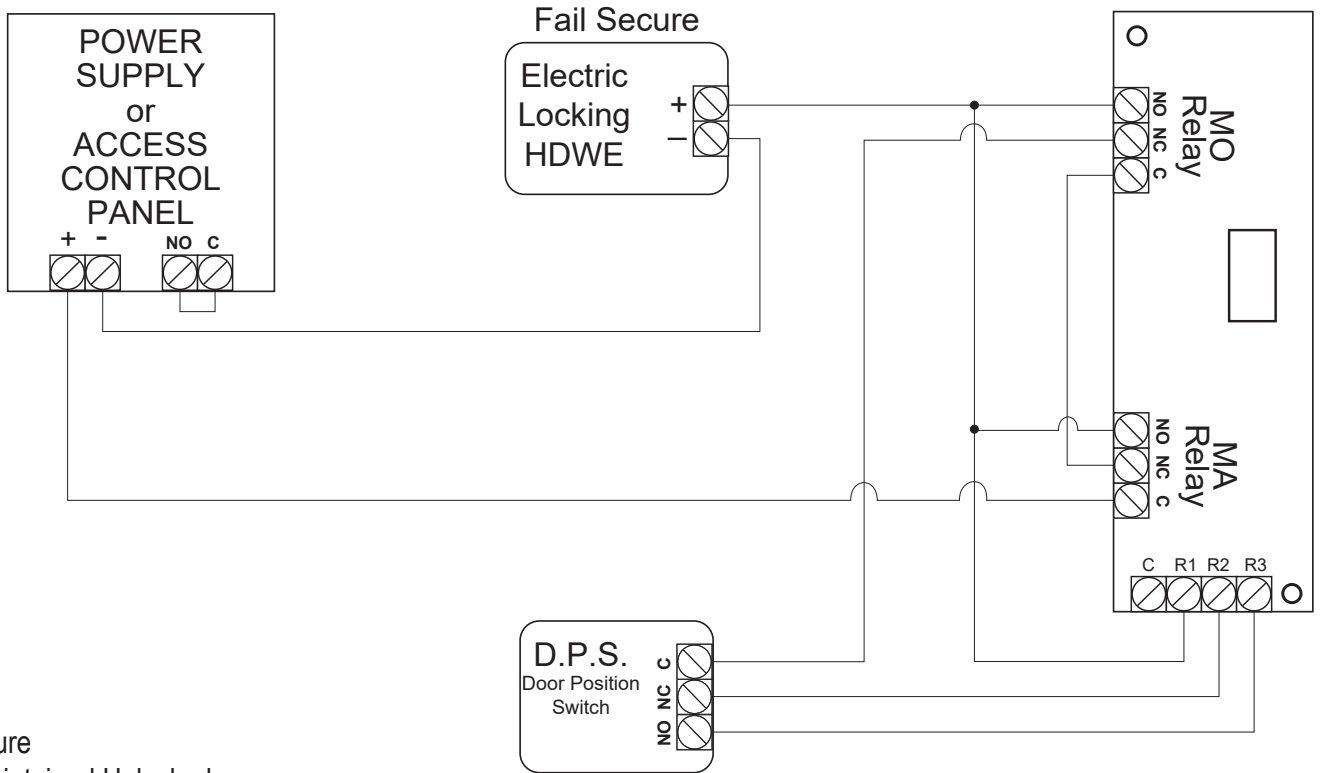
Diagram 3B



RED = Open
GREEN = Secure

Fail Secure

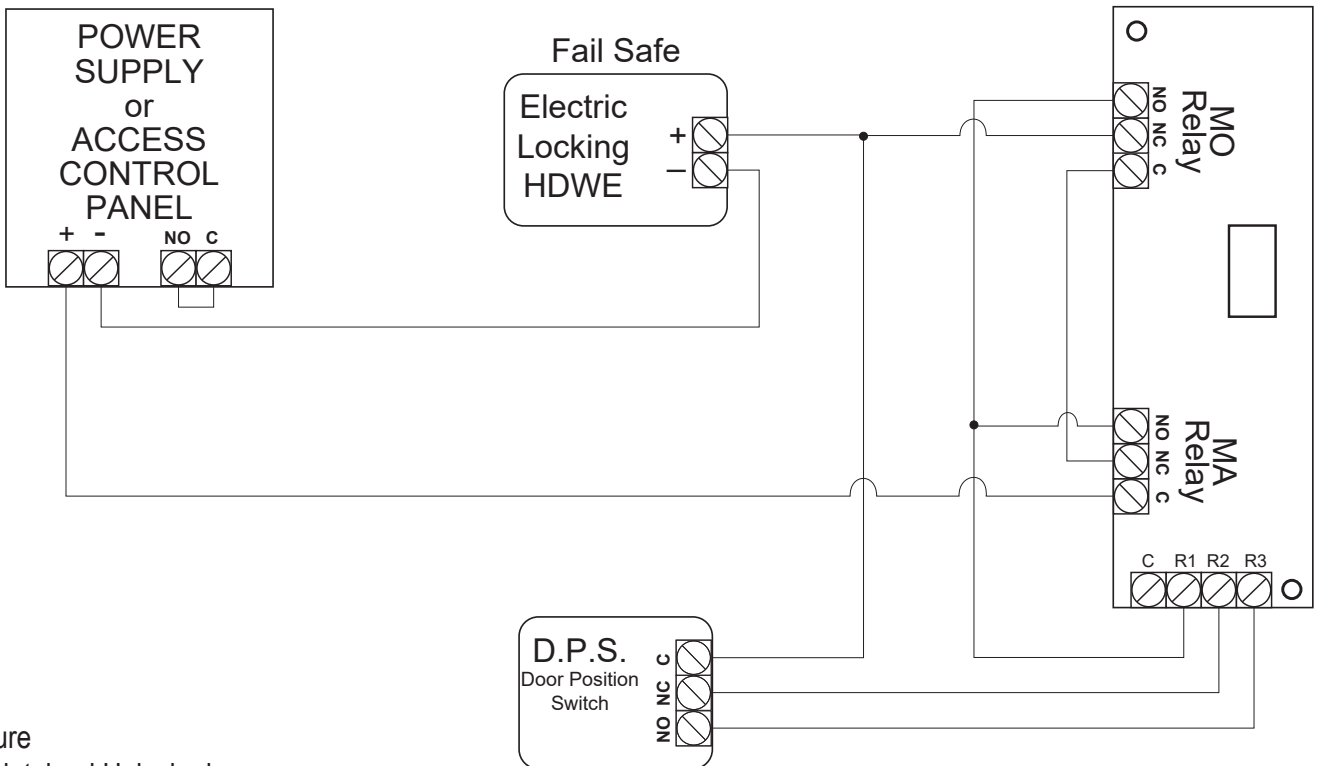
Diagram 4A



RED = Open
GREEN = Secure
YELLOW = Maintained Unlocked

Fail Safe

Diagram 4B



RED = Open
GREEN = Secure
YELLOW = Maintained Unlocked