



Detex Corporation, 302 Detex Drive, New Braunfels, Texas 78130-3045
830-629-2900 / 800-729-3839 / Fax 800-653-3839 / Text photos only: 830-481-6433 / INTERNET: www.detex.com

INSTALLATION INSTRUCTIONS FOR
DETEx® 02WP WIRE PULL TRIM

Drawing # 105670

Table of Contents	Page
Device parts breakdown view & part numbers.....	2
Door Prep and Install Trim.....	3

Should you have a Question/Problem with your Detex device please call Detex Technical Support from job site at 1-800-729-3839 and choose option 2 on our menu. Please do not return the product to the distributor.

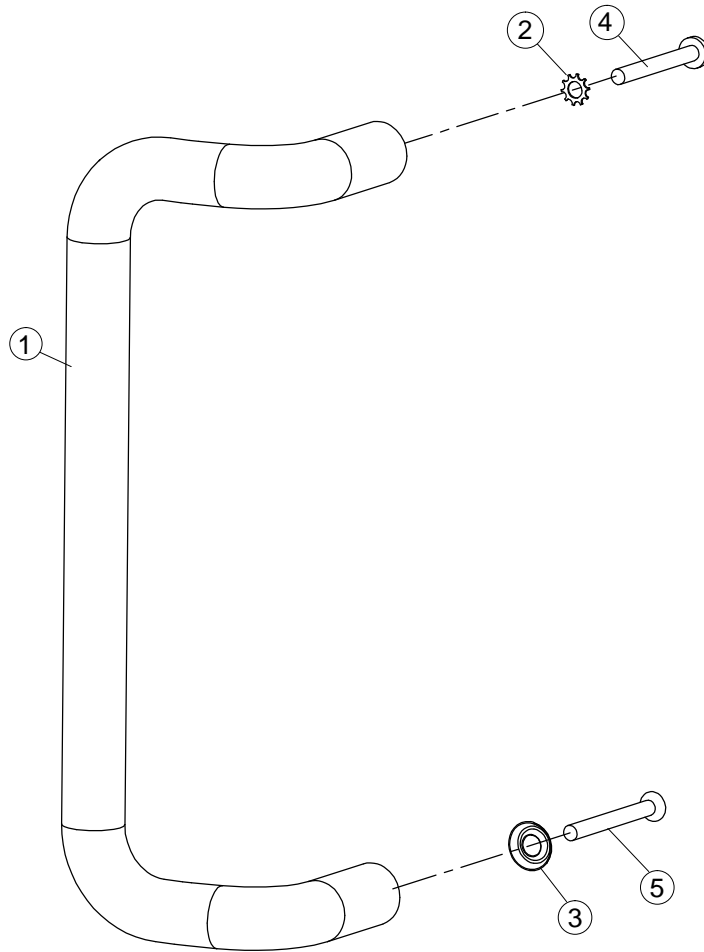
For WARRANTY information,
scan code below or
go to www.detex.com/warranty

For device installation videos,
scan code below or
go to www.detex.com/videos



Owner's Copy





PARTS BREAKDOWN			
Item	P/N	QTY	Description
1	105245-X	1	Wire Pull
2	PP-5067-25	1	1/4" Lockwasher
3	102272-2	2	1/4" Finish Washer
4	105624	1	1/4-20 x 2-3/4" PPH Screw (for 1-3/4" to 2" thick doors)
	105638		1/4-20 x 3" PPH Screw (for 2" to 2-1/4" thick doors)
5	102271-144	2	1/4-20 x 2-3/4" PFH Screw (for 1-3/4" to 2" thick doors)
	102271-148		1/4-20 x 3" PFH Screw (for 2" to 2-1/4" thick doors)

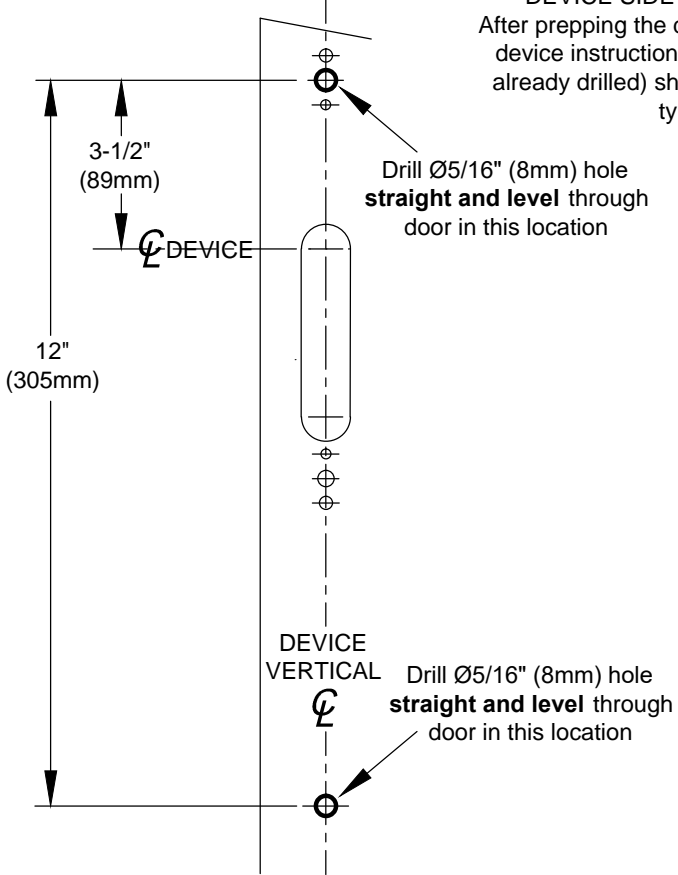
Your particular part or configuration may not be shown:
 Contact Detex technical support at 800-729-3839 (option 2)

TOOLS AND SUPPLIES

- Safety Glasses
- Pencil
- Center Punch
- Hammer
- Power Drill
- Drill Bit & Tap Set
- Screw Driver (Phillips Drive)
- Tape Measure

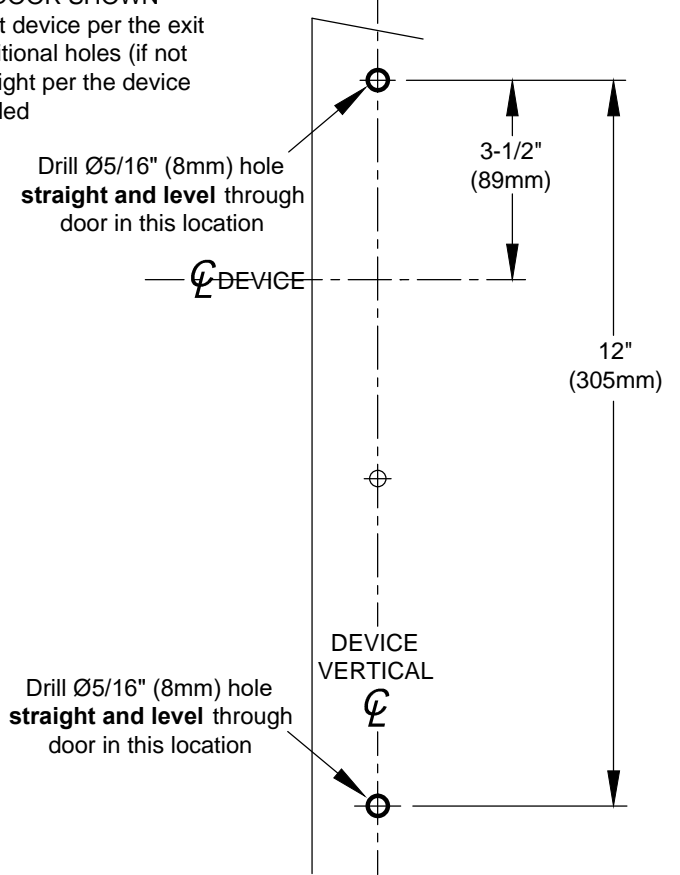
Door Prep (LHR shown)

WHEN USED WITH
CONCEALED VERTICAL ROD DEVICE



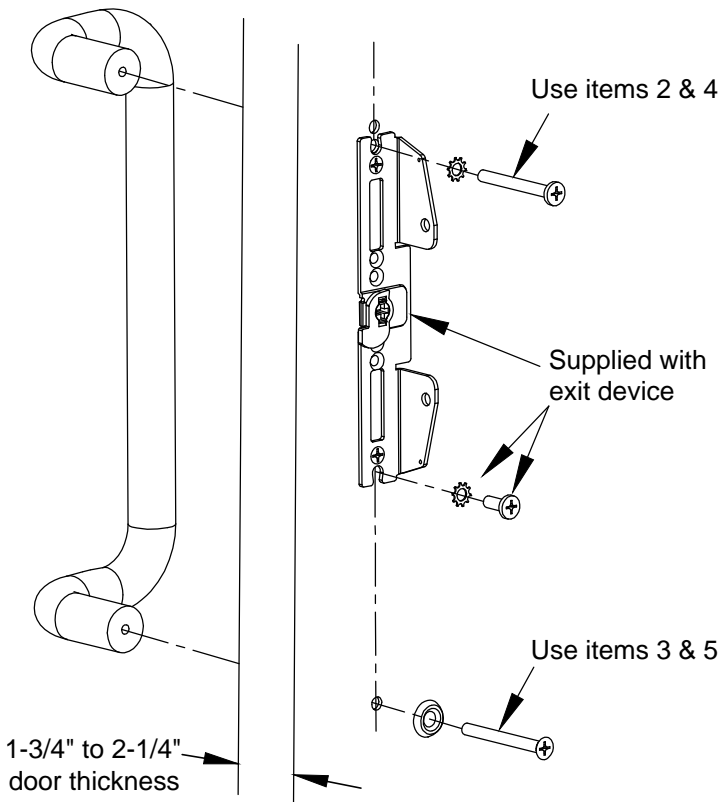
DEVICE SIDE (INSIDE) OF DOOR SHOWN
After prepping the door for the exit device per the exit device instructions, add the additional holes (if not already drilled) shown at left or right per the device type being installed

WHEN USED WITH RIM OR SURFACE VERTICAL ROD DEVICE



Install Trim

WHEN USED WITH
CONCEALED VERTICAL ROD DEVICE



WHEN USED WITH RIM OR SURFACE VERTICAL ROD DEVICE

