



## 27 SERIES

### High Security Relatching Surface Vertical Rod Device

The 27 Series high security surface vertical rod exit device is super-heavy-duty panic and fire exit hardware for use on all types of double doors without a mullion. The 27 Series is available with both top and bottom rods, but not available with top rod only. The patented mounting plate and strike locator system ensures the easiest and most accurate installation of panic hardware available.

#### Benefits

- Tough and durable design for years of trouble-free service in high-use, high-abuse environments
- Security enhanced by oversized, heavy duty relatching top and bottom bolts
- Patented mounting plate and strike locator replaces paper templates
- Minimal door prep saves time and money
- Outside trims are easily changed or rekeyed without removing device from door
- Fast and easy installation saves time and money
- Heavy duty angled end cap deflects damage away from device

#### Features

- Stainless steel relatching, top bolt
- Hardened steel bottom drop bolt with optional dust proof strike
- Handed - field reversible
- Field sizeable
- Bottom bolt cover
- 1/8 turn hex or cylinder dogging
- All exposed surfaces are finished over stainless steel with PVD, an environmentally friendly finishing process

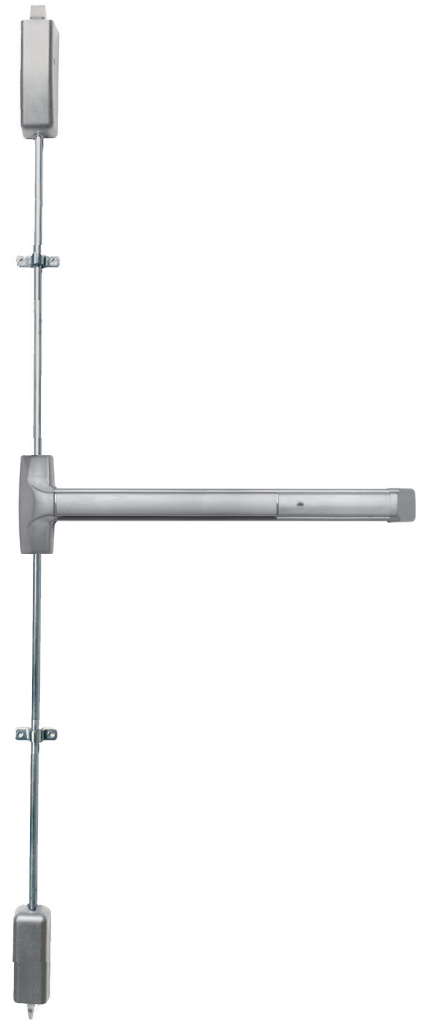
#### Mechanical Options

- T - Tornado/Windstorm Rated (FEMA 361) - up to 42" wide and 88" height
- F - Contact factory for availability
- AM - Anti-Microbial Coating
- HD - Hex Dogging (Std.)
- CD - Cylinder Dogging
- LD - Less Dogging
- 24 - Fits 24" Door Width
- 30 - Fits 30" Door Width
- 36 - Fits 36" Door Width (Std.)
- 48 - Fits 48" Door Width
- 84 - 84" Door Height (Std.)
- 96 - 85" to 96" Door Height
- 120 - 97" to 120" Door Height

#### Electrical Options

- Exit Alarm (EA)
- Electric Dogging (ED)
- Electric Latch Retraction (ER)
- Delayed Egress - Self Contained (EE)
- Delayed Egress with Latch Retraction (EE ER)
- Electric Unlock (EU)
- Request to Exit (EX)
- Request to Exit for High Voltage (EXV)

Refer to Electrified Options section for more information



## Accessories

- GB3 - Glass Bead Kit - 7' Door Height (84")
- GB7 - Glass Bead Kit - 8' Door Height (85" - 96")
- GB11 - Glass Bead Kit - 10' Door Height (97" - 120")
- SN1 - Sex Nut Kit (2 per package)
- SSK- Security Torx Screw Kit
- Trim Functions (see Outside Trims)

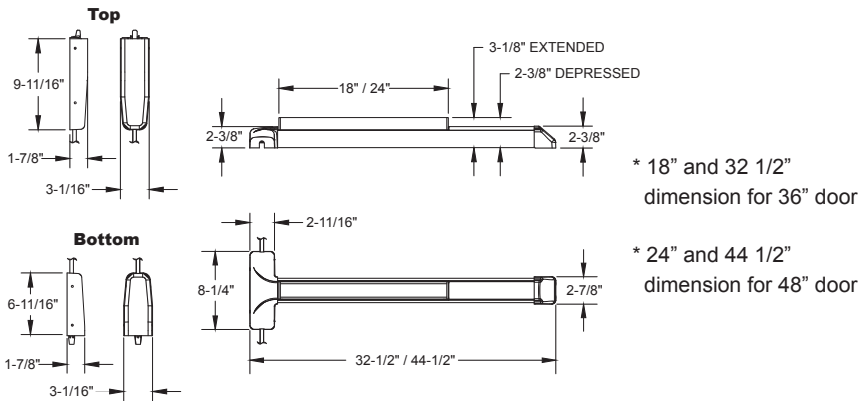
## Technical Information

- Door Types - Wood, Hollow Metal, Fiberglass or Aluminum
- Door Thickness - Fits standard 1-3/4" - 2-1/4" doors (for other door thicknesses contact factory)
- Minimum Stile - 4-1/2" with standard 999 strike
- 1-1/2" minimum frame stop width
- Fasteners - Machine and Self-Drilling Screws standard

## Finishes

605 / US3	Polished Brass	628 / US28	Aluminum Satin	693 / SPBLK	Black, Painted
606 / US4	Brushed Brass	629 / US32	Polished Stainless Steel	695 / SP 313	Dark Bronze, Painted
611 / US9	Polished Bronze				
612 / US10	Brushed Bronze	630 / US32D	Brushed Stainless Steel		
613 / US10B	Oil Rubbed Bronze				

## Dimensions



## Detex Limited Warranty

10 Year Mechanical/3 year Electrical Limited Manufacturer's Warranty

## Listings and Approvals



UL Listed Panic Hardware



UL 10B/UL 10C for positive pressure



UL Listed Fire Exit Hardware for 3 hours, maximum 4'x10' single doors and 8'x10' pairs of doors



Meets NFPA 80 & 101 for Life Safety



Meets ADA requirements



ANSI/BHMA certified A156.3

Qualified to meet FEMA 361; Tested at TEXAS Tech University National Wind Institute

Where Trust is Built™  
**DETEX**®  
Life Safety and Security Door Hardware

For detailed fire and windstorm listings, visit [www.detex.com/PROVEN](http://www.detex.com/PROVEN)

Detex Corporation  
302 Detex Drive  
New Braunfels, Texas 78130-3045 USA

PH. (830) 629-2900

(800) 729-3839

FAX (800) 653-3839

<http://www.detex.com>

USA Sales:

[marketing@detex.com](mailto:marketing@detex.com)

International Sales:

[export@detex.com](mailto:export@detex.com)

⚠ Cancer & Reproductive Harm - [www.detex.com/prop65](http://www.detex.com/prop65)