



30 SERIES

Mortise Lock Exit Device

The 30 Series mortise lock exit device is super-heavy-duty panic and fire exit hardware for use on all types of single and double doors. The patented mounting plate and strike locator system ensures the easiest and most accurate installation of panic hardware available.



ANSI 156.3 - 2008
Grade 1
Type 3

Benefits

- Tough and durable design for years of trouble-free service in high-use, high-abuse environments
- Heavy duty angled end cap deflects damage away from device
- Easy retrofit to other manufacturers
- Minimal door prep saves time and money
- Outside trims are easily changed or re-keyed without removing device from door
- Fast and easy installation saves time and money
- Patented mounting plate and strike locator replaces paper templates

Features

- 3/4" Projection Stainless Steel latch bolt
- Anti-friction, deadlocking, latch bolt
- All exposed surfaces are finished over stainless steel with PVD, an environmentally-friendly finishing process
- 1/8 turn dogging
- Non-handed, field sizeable

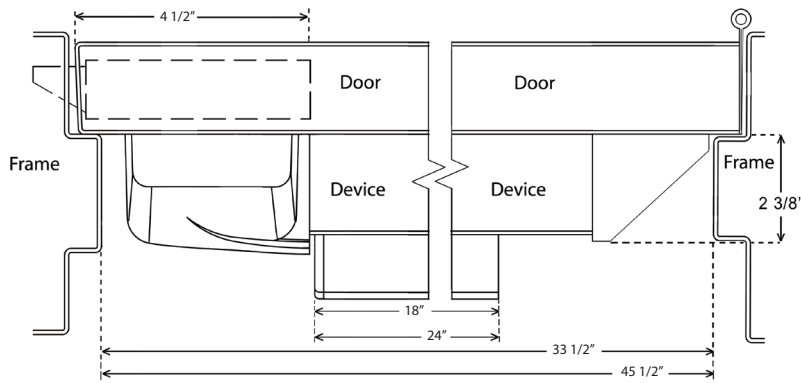
Mechanical Options

- F - 3-Hour Fire Rated
 - AM - Anti-Microbial Coating
 - CD - Cylinder Dogging
 - HD - Hex Dogging (Std.)
 - LD - Less Dogging
 - 90 ANSI Strike (Std.)
 - 91 ANSI Flat Lip Strike
 - 92 Double Door Short Open Back Strike
 - 93 - Double Door Long Open Back Strike
 - 24 - Fits 24" Door Width
 - 30 - Fits 30" Door Width
 - 36 - Fits 36" Door Width (Std.)
 - 48 - Fits 48" Door Width
 - EC1 - Heavy duty angled end cap (Std.)
 - EC2 - Flush end cap
- For full list of available mechanical options, see 30 Series How To Order page

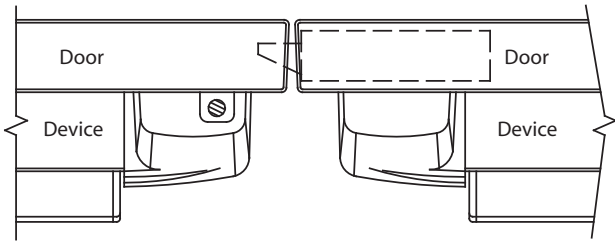
Electrical Options

- Exit Alarm (EA)
 - Electric Dogging (ED)
 - Electric Latch Retraction (ER)
 - Delayed Egress Self-Contained (EE)
 - Delayed Egress with Latch Retraction (EE ER)
 - Request to Exit (EX)
 - Request to Exit for High Voltage (EXV)
- Refer to Electrified Options section for more information

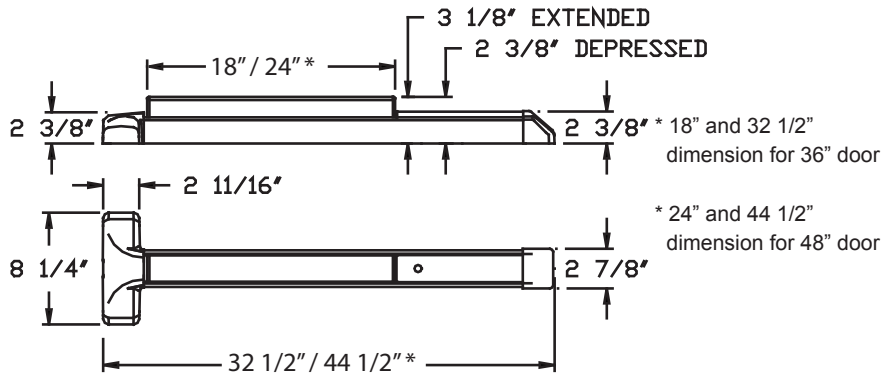
Single Door



Double Door with Mortise and Vertical Rod



Dimensions



Listings and Approvals



UL Listed Panic Hardware



UL Listed Fire Exit Hardware for 3 hours, maximum 4'x10' single doors and 8'x10' pairs of doors combined with Surface Vertical Rod



Meets ADA requirements



ANSI/BHMA certified A156.3



UBC 97, Standard 7-2 and UL10B/UL10C for positive pressure



Meets NFPA 80 & 101 for Life Safety



California State Fire Marshall

For detailed fire listings, visit www.detex.com/PROVEN

Cancer & Reproductive Harm - www.detex.com/prop65

September 12, 2018

Accessories

- SN1 - Sex Nut Kit (2 per package)
- GB16 - Glass Bead Kit
- KS - Key Stop - key removed only when armed

Technical Information

- Door Types - Wood, Hollow Metal, Fiberglass or Aluminum
- Door Thickness - Fits standard 1-3/4" - 2-1/4" doors (for other door thicknesses contact factory)
- Minimum Stile - 4-3/4"
- Machine and Self-Drilling Screws (Std.)
- Optional Sex Nuts for wood or composite doors
- Security Torx screws available

Finishes

605 / US3	Polished Brass
606 / US4	Brushed Brass
611 / US9	Polished Bronze
612 / US10	Brushed Bronze
613 / US10B	Oil Rubbed Bronze
628 / US28	Aluminum Satin
629 / US32	Polished Stainless Steel
630 / US32D	Brushed Stainless Steel
693 / SPBLK	Black, Painted
695 / SP 313	Dark Bronze, Painted

Detex Limited Warranty

10 Year Mechanical/3 Year Electrical Limited Manufacturer's Warranty

Where Trust is Built™
DETEX®
Life Safety and Security Door Hardware

Detex Corporation
 302 Detex Drive
 New Braunfels, Texas 78130-3045 USA
 PH. (830) 629-2900
 (800) 729-3839
 FAX (800) 653-3839
<http://www.detex.com>
 USA Sales:
marketing@detex.com
 International Sales:
export@detex.com