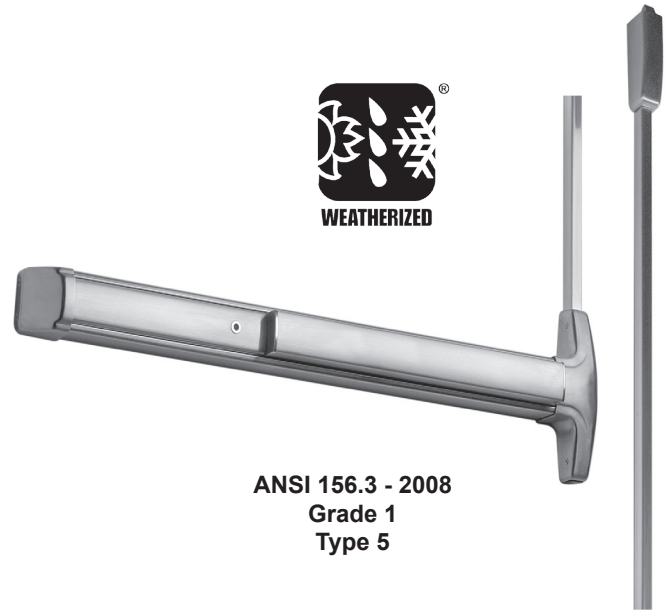




51xW SERIES

Weatherized Narrow Stile Surface Vertical Top Rod Only Device

The 51xW Series weatherized **surface vertical rod exit device** is super-heavy-duty **panic and fire exit hardware** for use on all types of narrow stile double doors without a mullion. All 51xW Series Top Rod Only exit devices are supplied with a rod cover. The patented mounting plate and strike locator system ensures the easiest and most accurate installation of panic hardware available. In addition to listing as UL panic and fire exit hardware device, this device conforms to UL1034-34 Temperature Section 34, UL1034-54 Dust Section 54, MIL-STD 810F, Method 506.4 (driving rain test); and MIL-STD 810F, Method 509.4 (salt fog test).



**ANSI 156.3 - 2008
Grade 1
Type 5**

Benefits

- Tough and durable design for years of trouble-free service in high-use, high-abuse inclement weather environments
- Outside trims are easily changed or rekeyed without removing device from door
- Minimal door prep saves time and money
- Fast and easy installation saves time and money
- Heavy duty angled end cap deflects damage away from device
- Security enhanced by stainless steel rod covers, standard
- Patented mounting plate and strike locator replaces paper templates

Features

- All exposed surfaces are finished over stainless steel with PVD, an environmentally friendly finishing process
- Handed - field reversible
- 1/8 turn hex or cylinder dogging
- Field sizeable
- Stainless steel deadlocking top latch
- Assembled using components resistant to temperature, dust, driving rain and salt fog
- Fasteners made of stainless steel 316 material

Mechanical Options

- AM - Anti-Microbial Coating
 - HD - Hex Dogging (Std.)
 - CD - Cylinder Dogging
 - LD - Less Dogging
 - EC1 - Heavy duty angled end cap (Std.)
 - EC2 - Flush end cap
 - 24 - Fits 24" Door Width
 - 30 - Fits 30" Door Width
 - 36 - Fits 36" Door Width (Std.)
 - 48 - Fits 48" Door Width
 - 84 - 84" Door Height (Std.)
 - 96 - 85" to 96" Door Height
 - 120 - 97" to 120" Door Height
- For full list of available mechanical options, see 50 Series How To Order page

Electrical Options

- Electric Unlock (EU2W)
- Request to Exit Weatherized (EX W)
- Request to Exit Weatherized for High Voltage (EXV W)

Refer to Electrified Options section for more information



Accessories

- GB6 - Glass Bead Kit - 7' Door Height (84")
- GB10 - Glass Bead Kit - 8' Door Height (85" - 96")
- GB14 - Glass Bead Kit - 10' Door Height (97" - 120")
- SN1 - Sex Nut Kit (2 per package)
- SSK- Security Torx Screw Kit
- Trim Functions (see Outside Trims)
- GTPLKIT - Adjustable Gate Plate

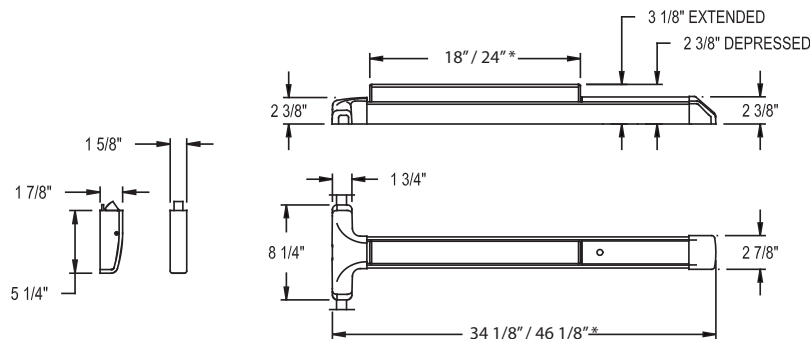
Technical Information

- Door Thickness - Fits standard 1-3/4" - 2-1/4" doors (for other door thicknesses contact factory)
- Door Types - Wood, Hollow Metal, Fiberglass or Aluminum
- Minimum Stile - 2" with standard 96 strike
- Fasteners - Machine and Self-Drilling Screws standard stainless steel 316 material

Finishes

605 / US3	Polished Brass	628 / US28	Aluminum Satin	693 / SPBLK	Black, Painted
606 / US4	Brushed Brass	629 / US32	Polished Stainless Steel	695 / SP 313	Dark Bronze, Painted
611 / US9	Polished Bronze	630 / US32D	Brushed Stainless Steel		
612 / US10	Brushed Bronze				
613 / US10B	Oil Rubbed Bronze				

Dimensions



* 18" and 34 1/8" dimension for 36" door

* 24" and 46 1/8" dimension for 48" door

Listings and Approvals



UL Listed Panic Hardware

UL1034-34 Temperature Section 34
[Temperature Range -31° F (-35° C) to 150° F (+66° C)]

UL1034-54 Dust Section 54



Meets ADA requirements

MIL-STD 810F (G), Method 509.4
(Salt Fog Test)

MIL-STD 810F (G), Method 506.4
(Driving Rain), Procedure 1



ANSI/BHMA certified A156.3

Detex Limited Warranty

10 Year Mechanical/3 year Electrical
Limited Manufacturer's Warranty

Where Trust is Built™

DETEX®

Life Safety and Security Door Hardware

Detex Corporation
302 Detex Drive
New Braunfels, Texas 78130-3045 USA
PH. (830) 629-2900
(800) 729-3839
FAX (800) 653-3839
<http://www.detex.com>
USA Sales:
marketing@detex.com
International Sales:
export@detex.com

⚠ Cancer & Reproductive Harm - www.detex.com/prop65