



Detex Corporation, 302 Detex Drive, New Braunfels, Texas 78130-3045
830-629-2900 / 800-729-3839 / Fax 800-653-3839 / Text photos only: 830-481-6433 / INTERNET: www.detex.com

INSTALLATION INSTRUCTIONS FOR "EU" LEVER TRIM

Drawing # 104200

Table of Contents	Page
Device parts breakdown view & part numbers.....	2
Part numbers (continued).....	3
Prep Trim	4
Prep Door	5
Install Trim.....	6
Routing Wires through Device.....	7

Should you have a Question/Problem with your Detex device please call Detex Technical Support from job site at 1-800-729-3839 and choose option 2 on our menu. Please do not return the product to the distributor.

For WARRANTY information,
scan code below or
go to www.detex.com/warranty

For device installation videos,
scan code below or
go to www.detex.com/videos

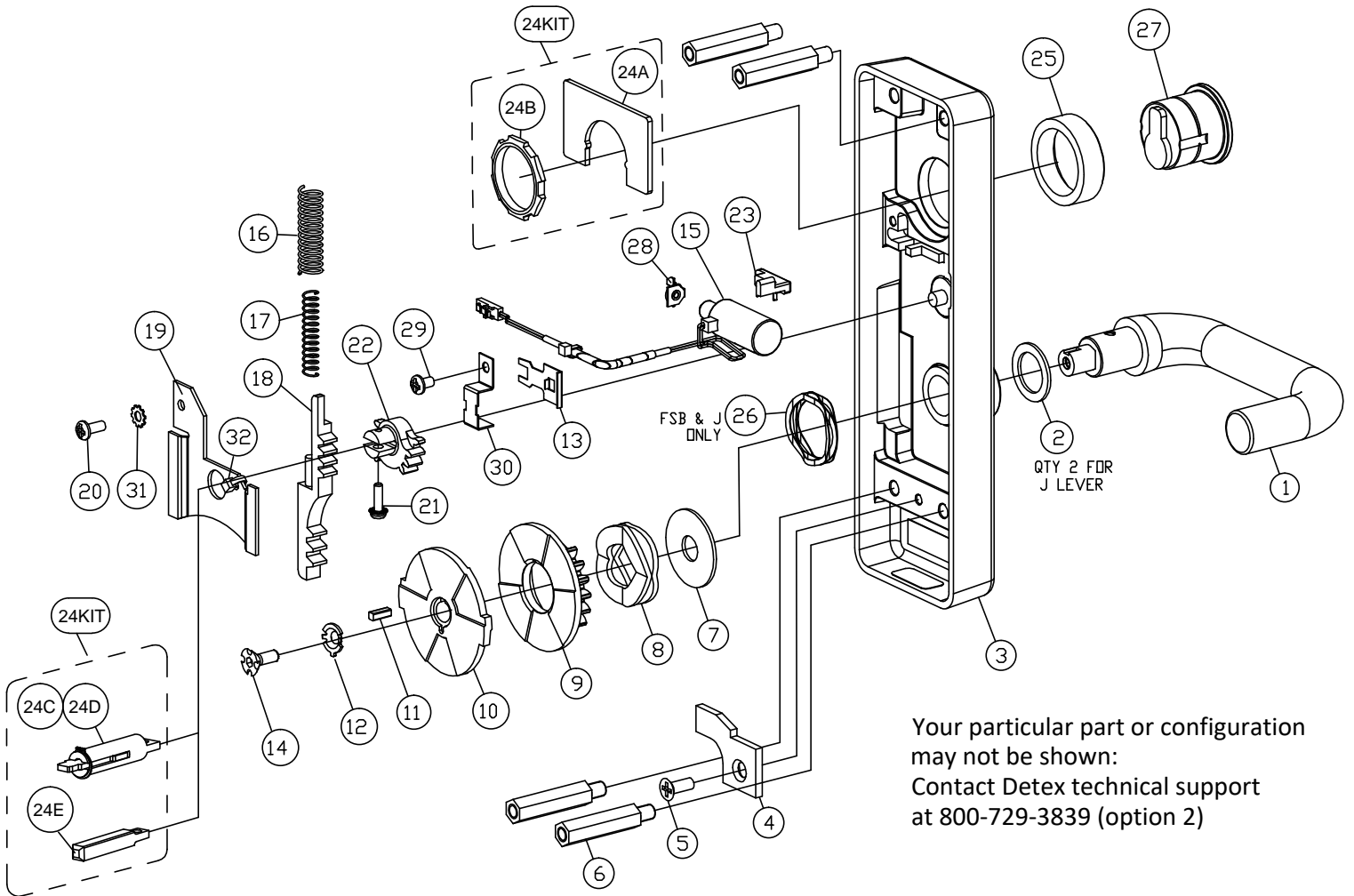


Owner's Copy



LHR ASSEMBLIES SHOWN

RHR assemblies opposite



Your particular part or configuration may not be shown:
Contact Detex technical support
at 800-729-3839 (option 2)

PARTS BREAKDOWN			
Item	P/N	QTY	Description
1	106264-7	1	LEVER ASSY, Q, 626
	106264-14		LEVER ASSY, Q, 693
	106264-15		LEVER ASSY, Q, 695
	101376-7		LEVER ASSY, S, 626
	101376-14		LEVER ASSY, S, 693
	101376-15		LEVER ASSY, S, 695
	101375-7		LEVER ASSY, U, 626
	101375-14		LEVER ASSY, U, 693
	101375-15		LEVER ASSY, U, 695
	101374-7		LEVER ASSY, T, 626
	101374-14		LEVER ASSY, T, 693
	101374-15		LEVER ASSY, T, 695
2	106603	2	WASHER, FLAT, 1"x0.02 THK (J LEVER ONLY)
	100851	1	WASHER, FLAT, 1"x0.06 THK (ALL EXCEPT J LEVER)
3	104210-9	1	ESCUTCHEON ASSY, BP1, EU, 630 FINISH (BP11 FOR EUV)
4	100771	1	STOP, ROTATIONAL
5	PP-5305-108	1	SCREW, MACH, 10-24 X 1/2 PFH
6	100777	4	STANDOFF, HEX
	100777-1		STANDOFF, HEX, CVR (V)
7	100775	1	WASHER, FLAT

PARTS BREAKDOWN			
Item	P/N	QTY	Description
8	103047	1	CLUTCH SPRING
9	103043	1	BOTTOM GEAR, WIDE
10	103044	1	TORQUE PLATE, WIDE
11	103994	1	KEY, SHEAR PIN, STEEL
12	100821	1	WASHER CLUTCH
13	104205	1	SOLENOID ALIGNMENT LOCK, EU
14	102536-1	1	SCREW, 10-24, CUSTOM
15	104209-1	1	SOLENOID, 24V, PULL TYPE, FAIL SECURE
	104209-2		SOLENOID, 24V, PUSH TYPE, FAIL SAFE
	104209-3		SOLENOID, 12V, PULL TYPE, FAIL SECURE
	104209-4		SOLENOID, 12V, PUSH TYPE, FAIL SAFE
16	100766	1	SPRING, RETURN
17	101509	1	SPRING, RETURN, HELPER
18	104212-1	1	RACK ASSEMBLY, EU, RHR
	104212-2		RACK ASSEMBLY, EU, LHR
19	104206-2	1	COVER PLATE, MACHINED, EU, LHR
	104206-1		COVER PLATE, MACHINED, EU, RHR
	106459-2		COVER PLATE, MACHINED, LS, EU, LHR
	106459-1		COVER PLATE, MACHINED, LS, EU, RHR
20	PP-5378-106	2	SCREW, MACH, 8-32 x 3/8 PPH
21	102291-108	1	SCREW, MACH, 6-32 x 1/2 SEMS, PPH
	PP-5367-110		SCREW, MACH, 6-32 x 5/8 PPH (LS)
22	104202	1	TOP GEAR, MACHINED, EU
23	104213-2	1	LOCK SLIDE ASSY, EU, LHR
	104213-1		LOCK SLIDE ASSY, EU, RHR
24KIT	105673-1	1	LEVER TRIM HARDWARE KIT, RIM, SVR
	105673-2		LEVER TRIM HARDWARE KIT, MORTISE
	105673-3		LEVER TRIM HARDWARE KIT, V
24A	100754	1	PLATE, CYLINDER POSITION
24B	100783	1	NUT, HEXAGON, CYLINDER
24C	101478		SHAFT EXTENSION ASSEMBLY
24D	106694	1	TAILPIECE ASSEMBLY, D TRIM, CVR UNIVERSAL
24E	103218		SHAFT, INPUT (MORTISE)
	100572-9	1	CYLINDER COLLAR, SHORT
	100752-9		CYLINDER COLLAR, TALL
26	105964	1	WASHER, WAVE
27	103800-626	1	CYLINDER HOUSING, SFIC, MORTISE, 7 PIN, CHROME
	102281-7-X		CYLINDER, MORTISE, 5 PIN, CHROME
28	104207	1	BRACKET, SOLENOID PLUNGER
29	PP-5378-104	1	SCREW, MACH, 8-32x1/4" PPH
	PP-5378-106		SCREW, MACH, 8-32x3/8" PPH (LS)
30	104208	1	BRACKET, SOLENOID
31	PP-5067-8	1	LOCKWASHER, #8

ELECTRIC UNLOCK:

A DC power source is connected across the brown wires to power the internal solenoid. The solenoid connection is not polarized. The applied voltage will unlock for Fail-Secure and lock for Fail-Safe.

Units are color coded as follows:

- 24 VDC Fail-Secure (Black spiral cover) p/n 104209-1
- 24 VDC Fail-Safe (Red spiral cover) p/n 104209-2
- 12 VDC Fail-Secure (Blue spiral cover) p/n 104209-3
- 12 VDC Fail-Safe (Yellow spiral cover) p/n 104209-4

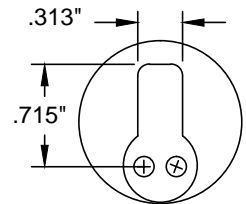
FOR ITEM 27
"-X" REFERS TO
KEY CODE
AA-KK

LHR ASSEMBLIES SHOWN
 RHR assemblies have switch assemblies
 & levers on opposite side
 NOTE: Assemblies **CANNOT** be rehanded

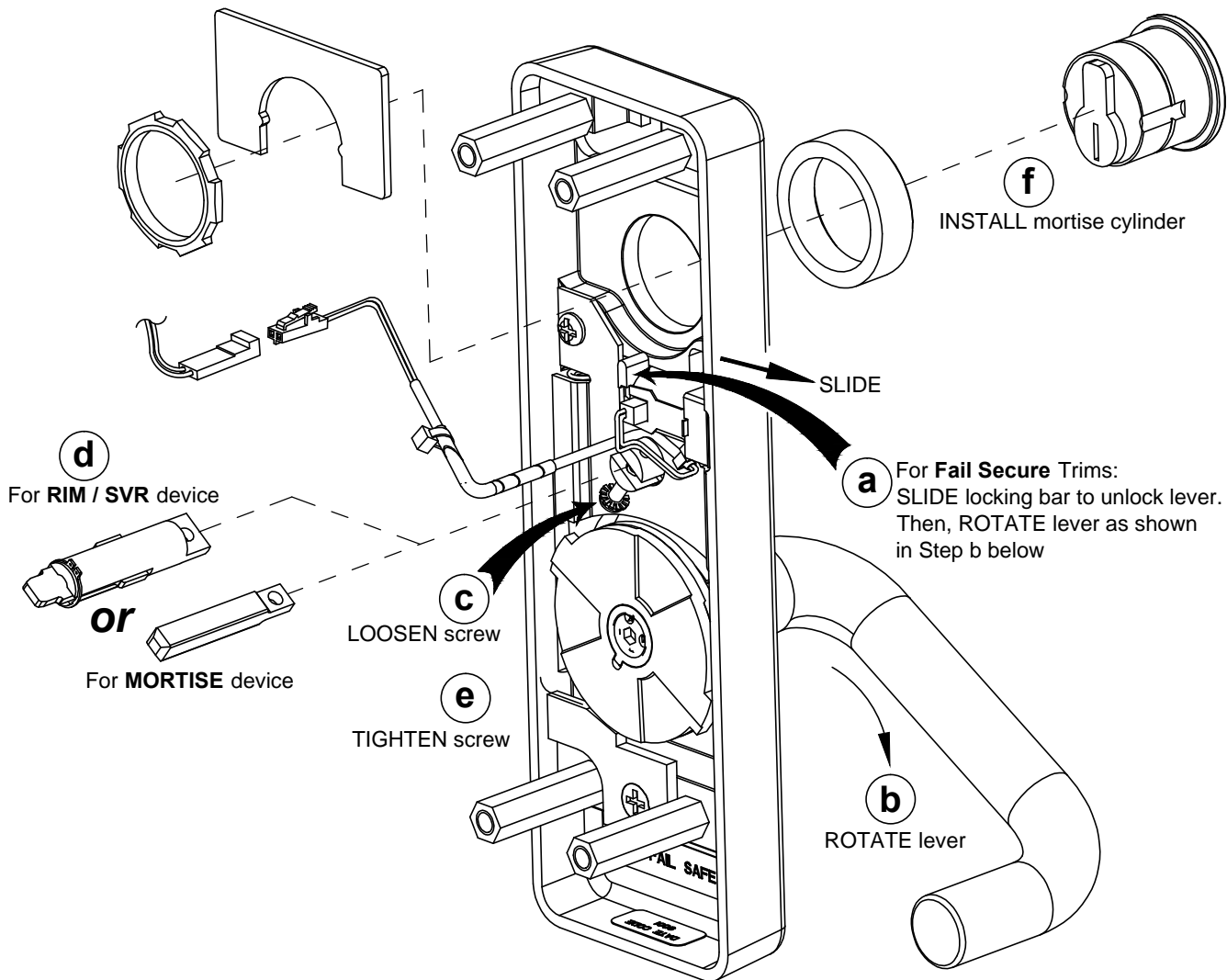
STEP 1: PREP TRIM DEVICE

Install tailpiece for RIM, SVR or input shaft for MORTISE and cylinder

NOTE: Mortise cylinder NOT supplied with trim, but can be ordered separately .



Mortise Cylinder with standard Yale cam required on 08/09 trim (sold separately)



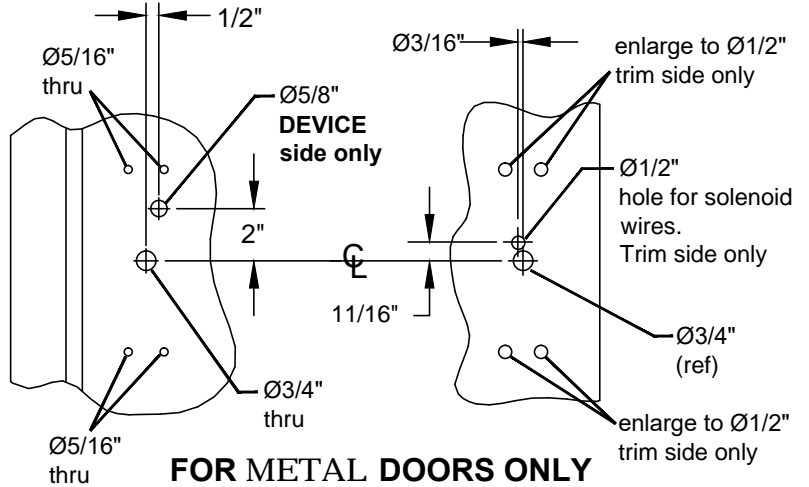
STEP 2a: PREP DOOR (Rim & SVR)

NOTES: 1) For a retrofit application, remove lock and device before installing new trim.

2) LHR installation shown (Reverse all steps for RHR).

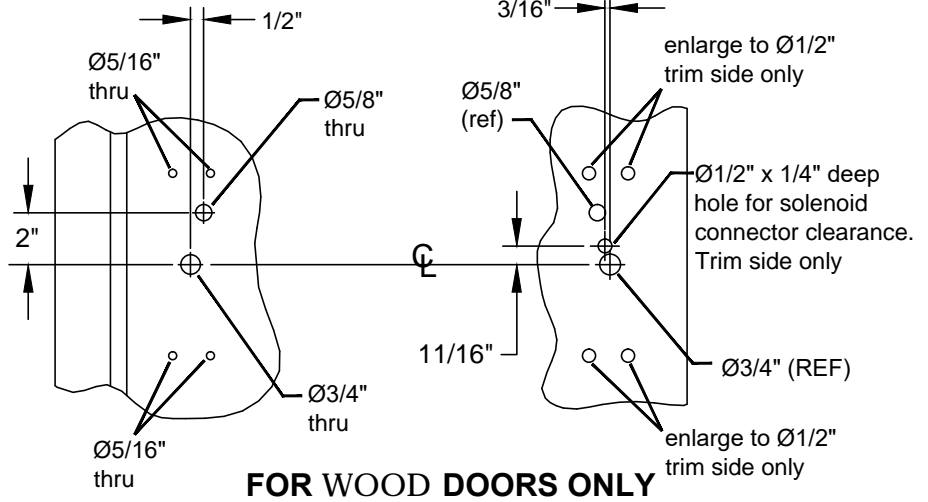
DRILL HOLES Device Side

DRILL HOLES Trim Side

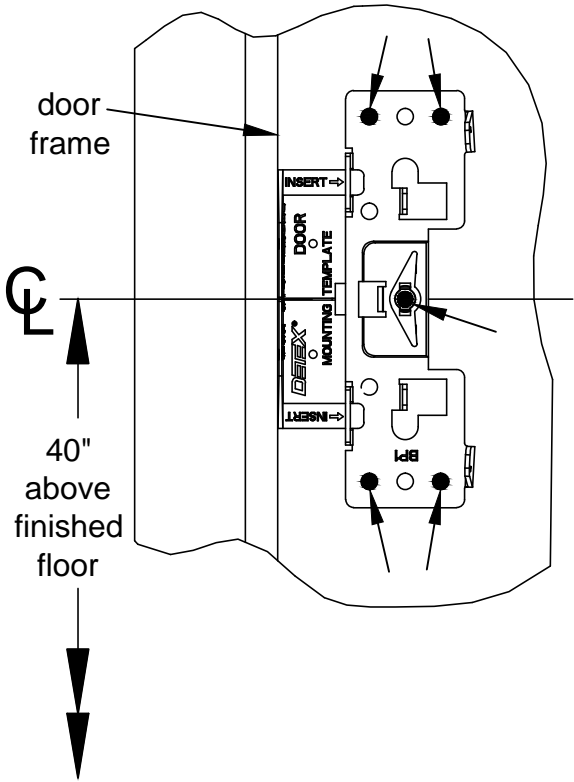


DRILL HOLES Device Side

DRILL HOLES Trim Side



Using the plastic template and backplate, mark these 5 locations for METAL and WOOD doors on the DEVICE SIDE

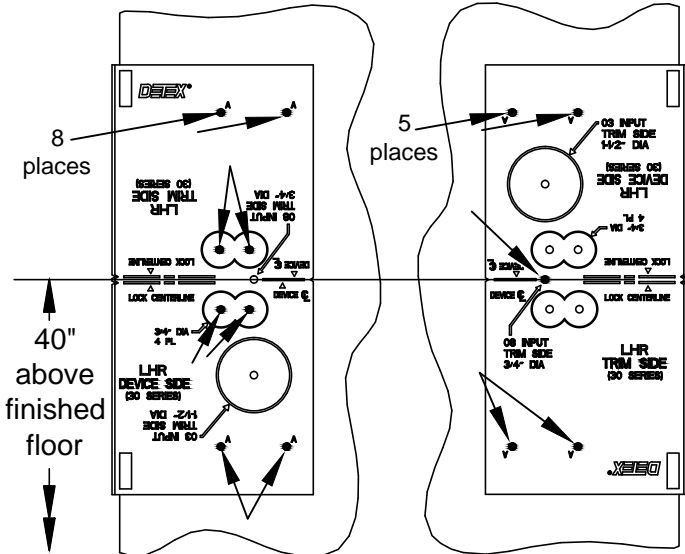


STEP 2b: PREP DOOR (Mortise)

Use plastic template to mark the locations shown below

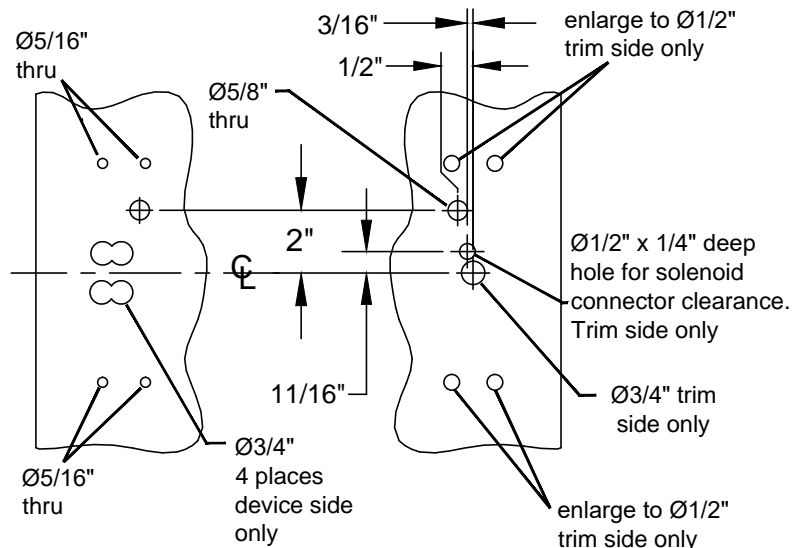
Device Side

Trim Side



DRILL HOLES Device Side

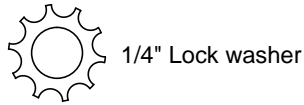
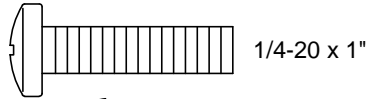
DRILL HOLES Trim Side



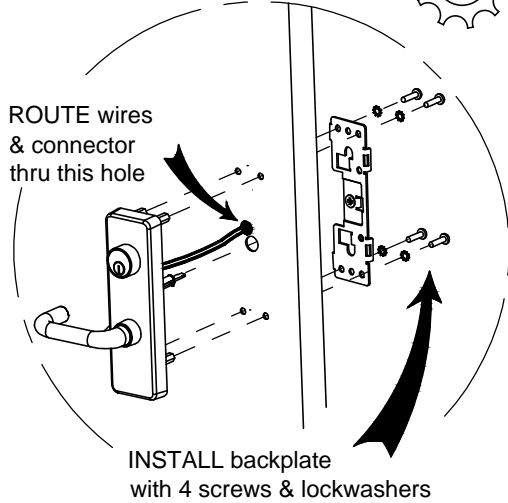
STEP 3a: INSTALL TRIM DEVICE (Rim & SVR)

Install TRIM for Rim & SVR Device

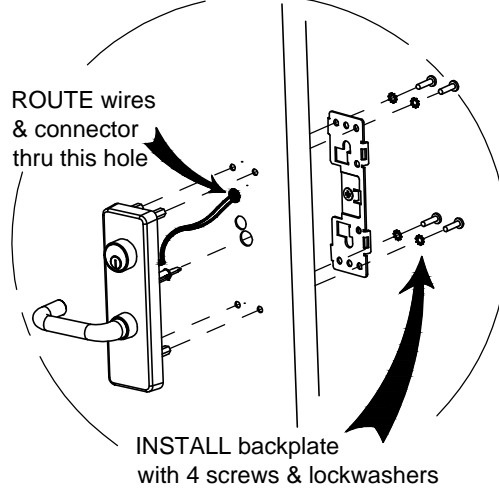
Hardware supplied with exit device



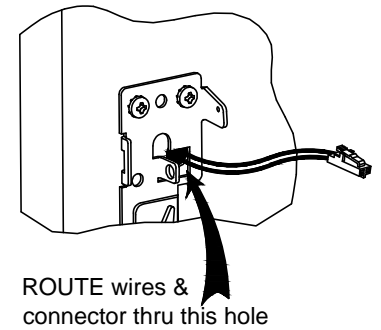
METAL Doors



WOOD Doors



Trim side



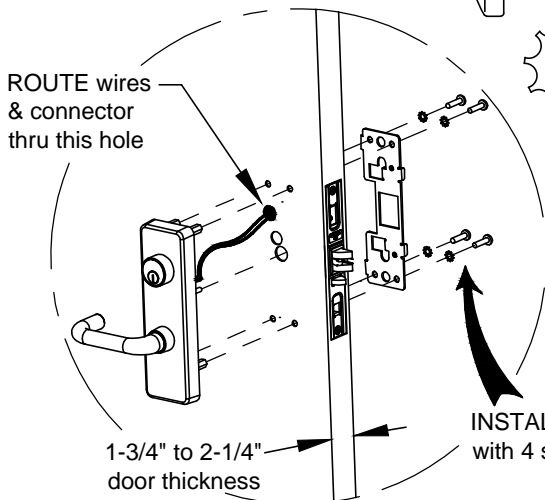
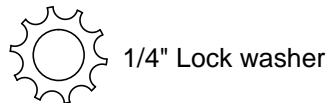
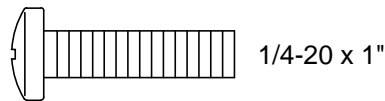
STEP 3b: INSTALL TRIM DEVICE (Mortise)

Install TRIM for Mortise Device

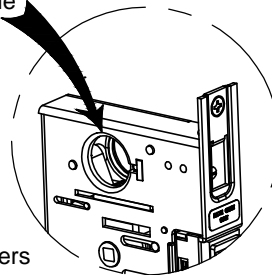
NOTE:

1) Mortise lock NOT supplied with TRIM device.

Hardware supplied with exit device

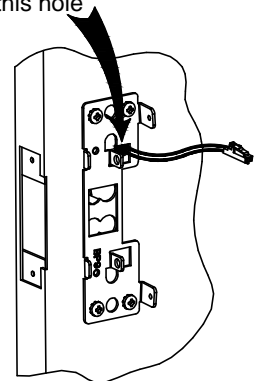


Route solenoid wires & connector thru this hole



Trim side

ROUTE wires & connector thru this hole

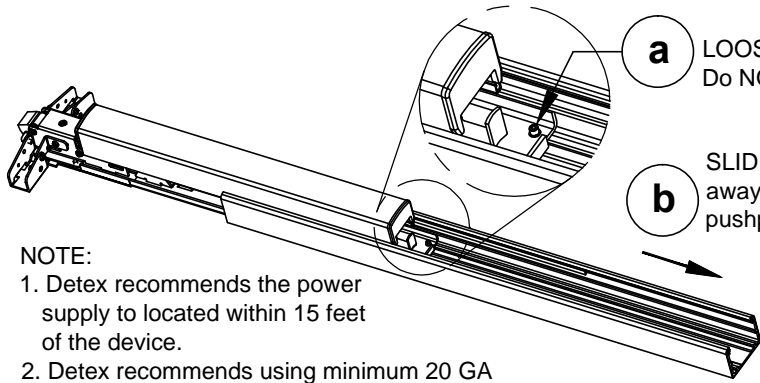


TRIM INSTALLATION COMPLETE

Continue installation using device instructions.

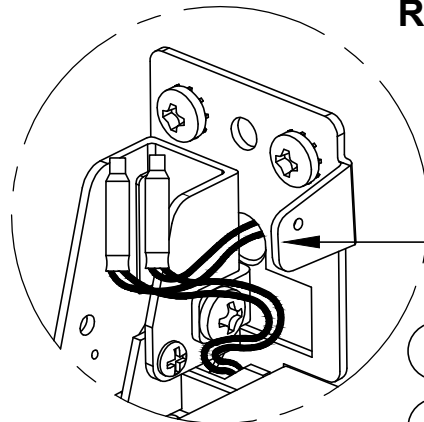
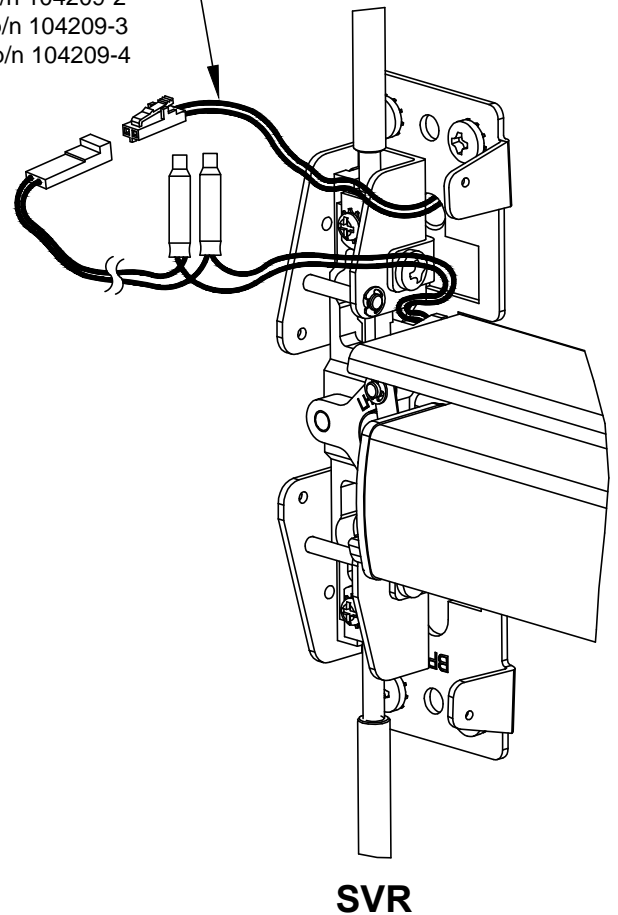
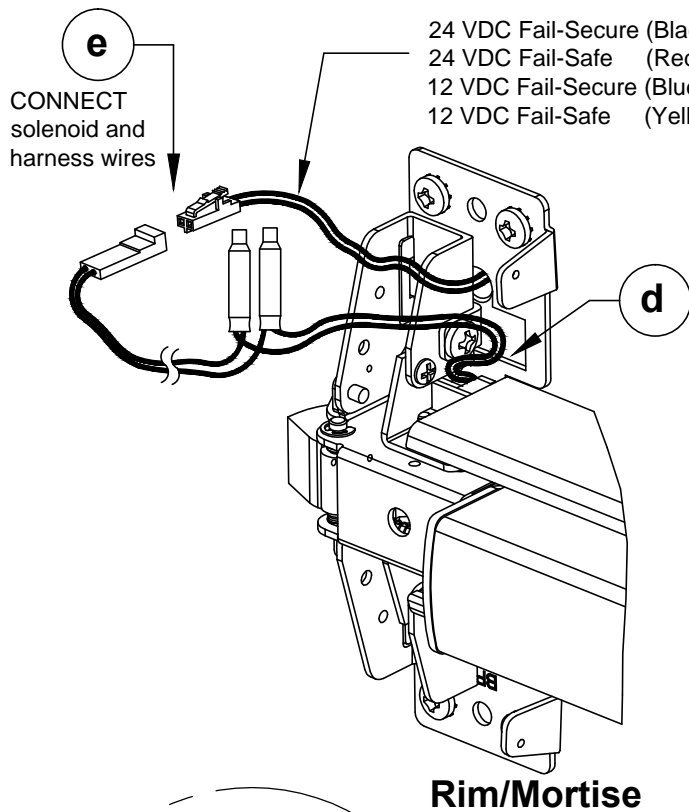
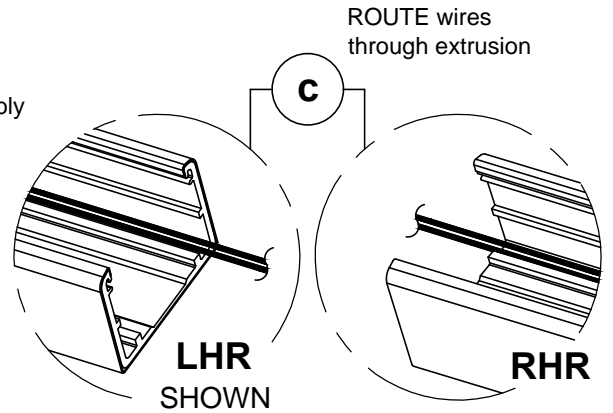
STEP 4: ROUTING WIRES THROUGH DEVICE

Wires can be routed through device or door



NOTE:

1. Detex recommends the power supply to located within 15 feet of the device.
2. Detex recommends using minimum 20 GA wire for power.
3. Current draw: 24VDC = 150 mA
12VDC = 250 mA



INSERT excess wires into door
OR
TRIM excess wires

f Installation Continuation:
SLIDE extrusion back to pushpad assembly

g Tighten set screw with 3/32" hex wrench