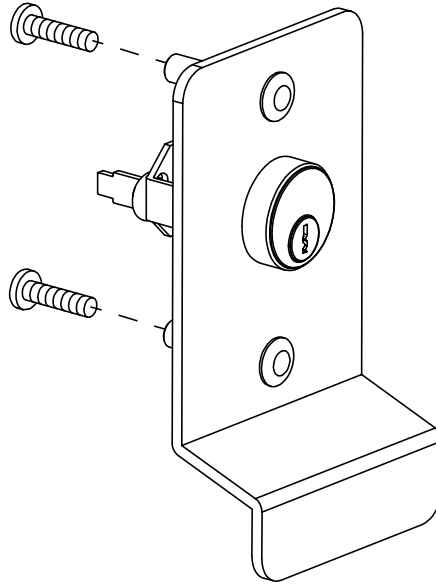


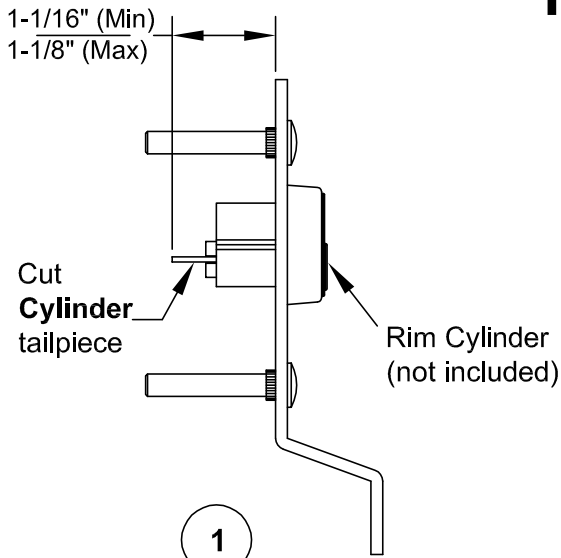
Detex Corporation, 302 Detex Drive, New Braunfels, Texas 78130-3045  
 (830)629-2900 / 1-800-729-3839 / Fax (830)620-6711  
 E-MAIL: detex@detex.com INTERNET: www.detex.com

## INSTALLATION INSTRUCTIONS FOR 03P/03PN VALUE SERIES TRIM

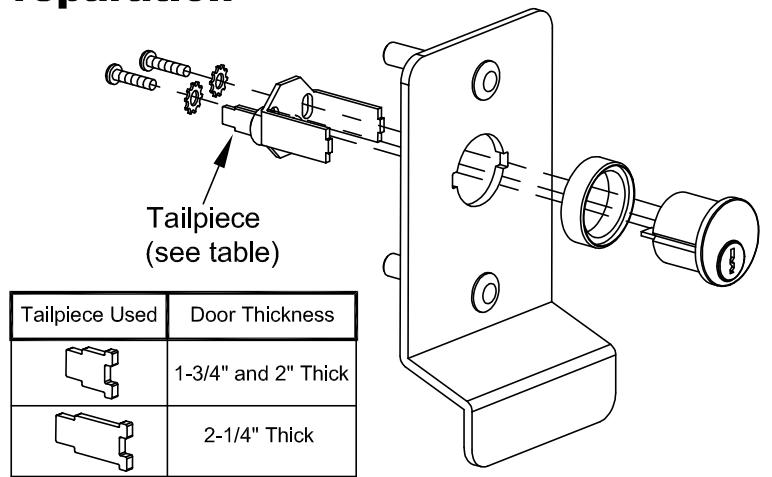


Tools Required						
Power Drill	Safety Glasses	Screw Driver	Pencil	Tape Measure	Hammer	Center Punch

### Trim Preparation

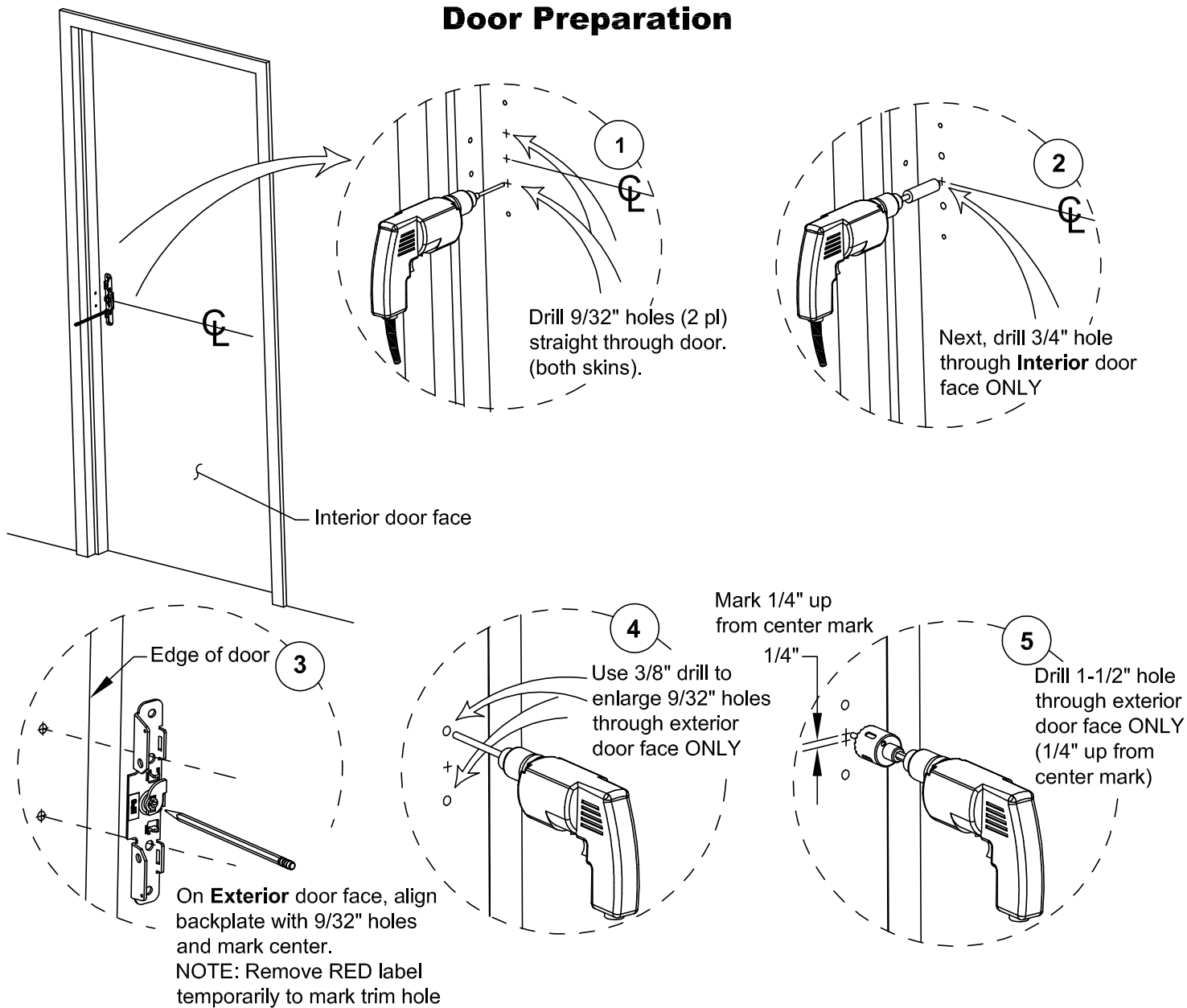


**1**  
**Rim Cylinder Preparation**

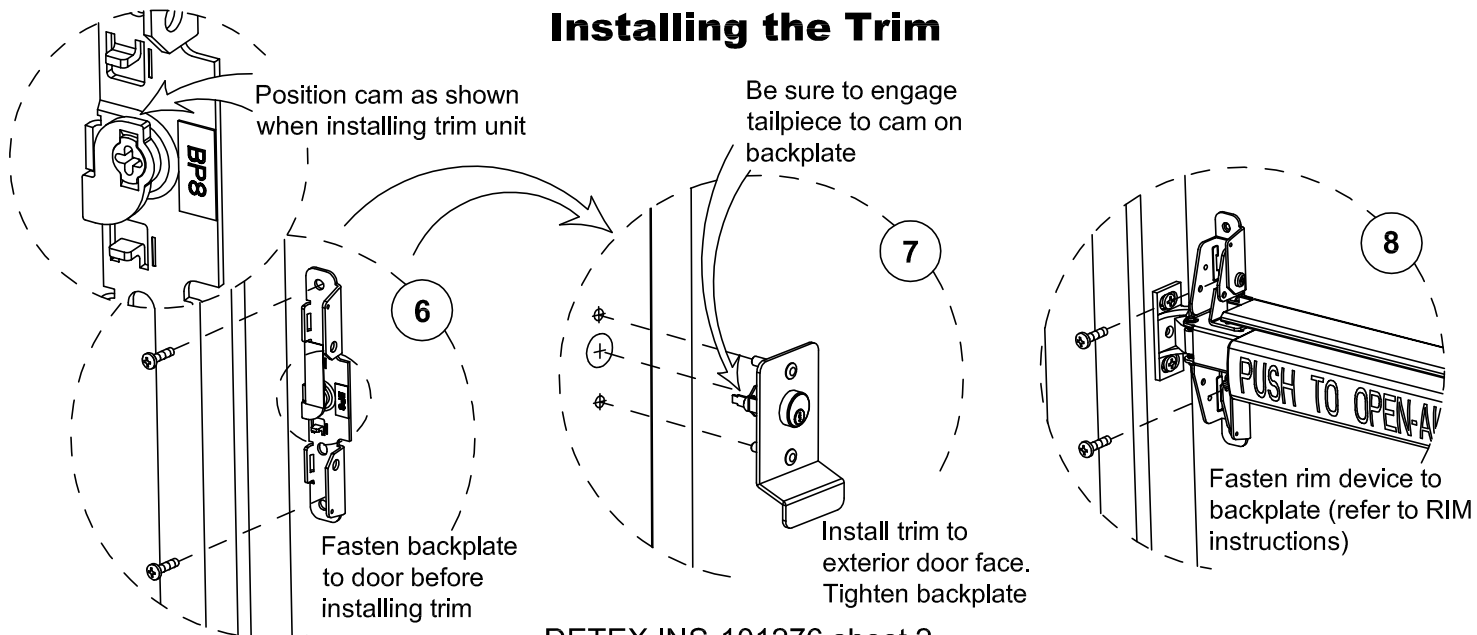


**2**  
**Install Tailpiece Assembly**

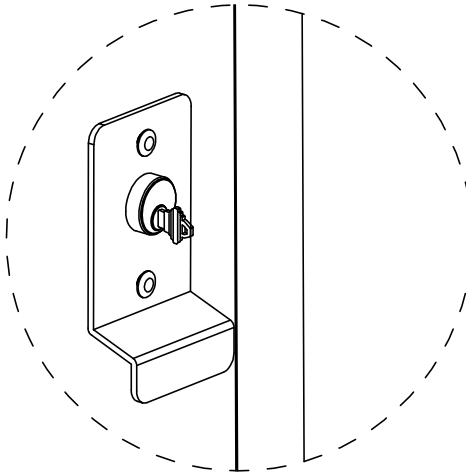
## Door Preparation



## Installing the Trim

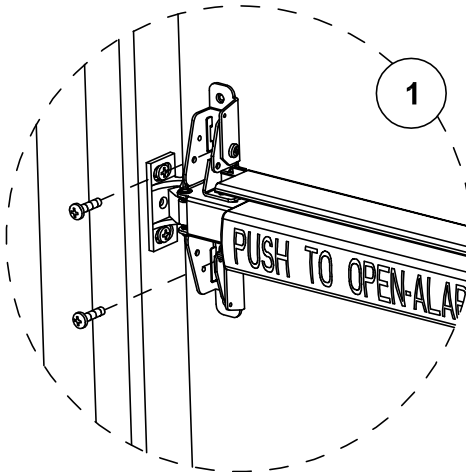


## Testing the Trim Installation

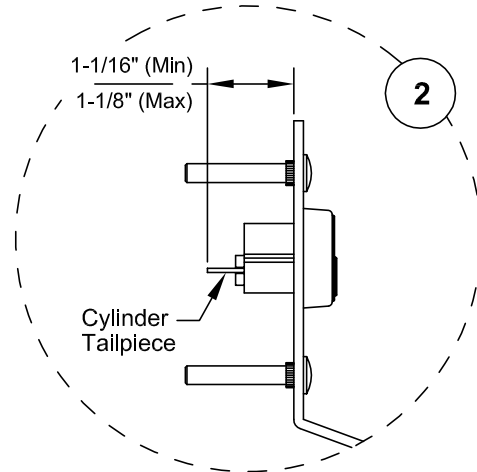


Key should turn smoothly. If binding occurs, check the following:

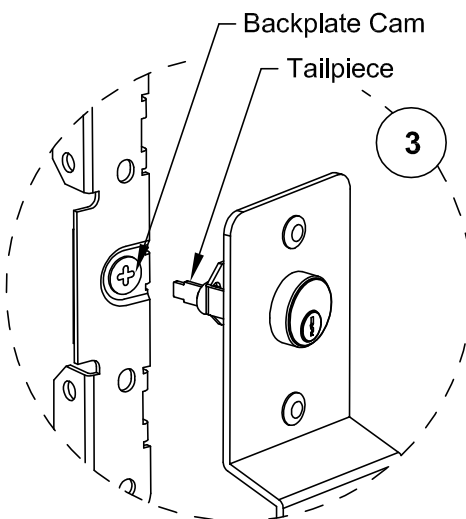
1. For hollow metal doors, adjust for door compression.
2. Verify cylinder tailpiece length.
3. Verify tailpiece and cam engagement



Adjust screws to relieve door compression.



Verify cylinder tailpiece length.  
(Shorten tailpiece if necessary)



Verify tailpiece and cam engagement