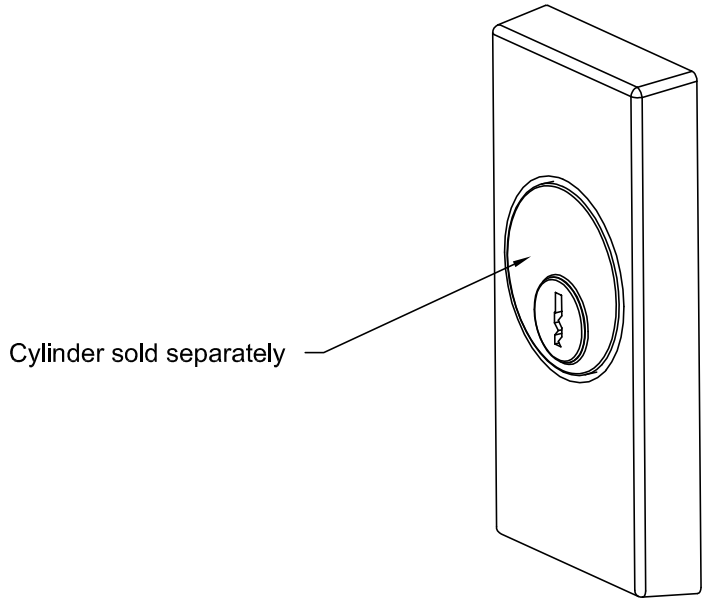


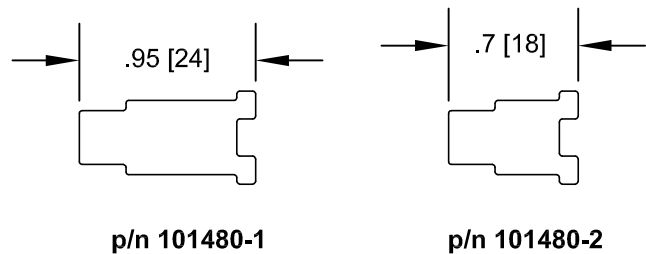
Detex Corporation, 302 Detex Drive, New Braunfels, Texas 78130-3045
(830)629-2900 / 1-800-729-3839 / Fax (830)620-6711
E-MAIL: detex@detex.com INTERNET: www.detex.com

INSTALLATION INSTRUCTIONS FOR 03WS ADVANTEX & VALUE SERIES TRIM



TOOLS AND SUPPLIES

- Safety Glasses
- (Always put on safety glasses prior to beginning installation of unit)**
- Pencil
- Center Punch
- Hammer
- Drill Motor
- 1-1/2" Hole Saw
- Drill Bits & Taps
- Screw Driver (Phillips Drive)
- Tape Measure



PREPARING THE TRIM:

1. Insert a rim cylinder (not included) and cut rim cylinder tailpiece as described in Fig. 1.

2. Assemble the rim tailpiece assembly and cylinder as shown in Fig. 2 below.
Cut cylinder screws as required.
Use lockwashers to tighten cylinder to escutcheons.

NOTE: If key does not turn freely, recut or file the cylinder tailpiece.

3. Select tailpiece for proper thickness of door. See Fig 2.

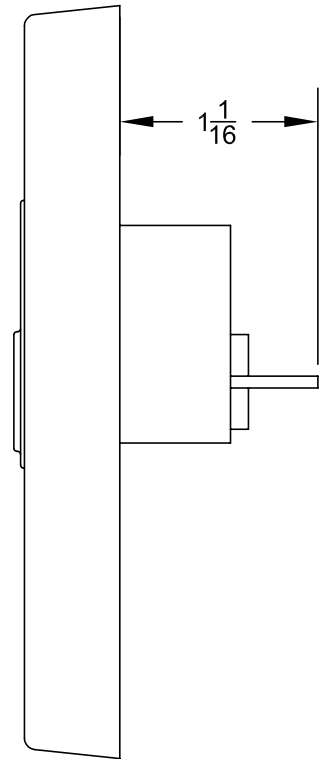


Fig. 1

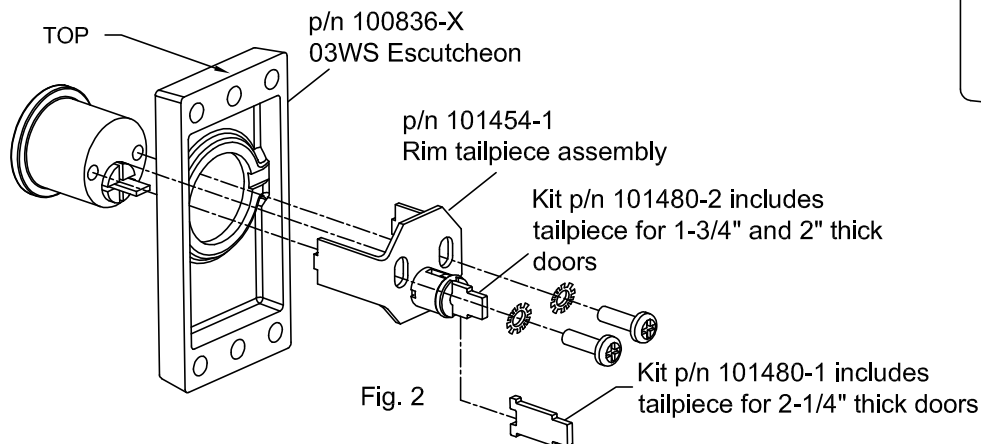


Fig. 2

PREPARING THE DOOR:

1. Mark device location on inside face of door (see device side instructions). Establish device height and backset. Detex recommends the device to be mounted 40" above the finished floor.

2. Use inside & outside face templates to mark and drill holes as noted.

For NARROW STILE (40, 50, V40 & V50) RHR, use page 9

For NARROW STILE (40, 50, V40 & V50) LHR, use page 10

For WIDE STILE (10 & 20) RHR, use page 11

For WIDE STILE (10 & 20) LHR, use page 12

NOTE: Be sure to allow for doors with beveled edges.

CAUTION: If you are using 03WS trim on a 2" narrow stile glass door, DO NOT USE THE PROVIDED STRIKE LOCATOR! See pages 5-8 for 2" narrow stile glass door prep. All other trims can use the narrow strike locator provided in the strike kit.

3. Select the screw length from the chart (Fig 3).

Trim Mounting Holes	
Door Thickness	1/4-20 Screw Length
1 3/8"	2"
1 3/4"	2 1/4"
2" or 2 1/4"	* 3"

* Cut to Length

ADVANTEK *RIM* DEVICE: ASSEMBLING THE OUTSIDE TRIM AND BACKPLATE ONTO THE DOOR:

(If surface vertical rod device - go to page 4)

1. (Fig. 4) Install the backplate using holes "a" with the screws and lockwashers according to the Pilot/Drill/Tap/Screw chart .

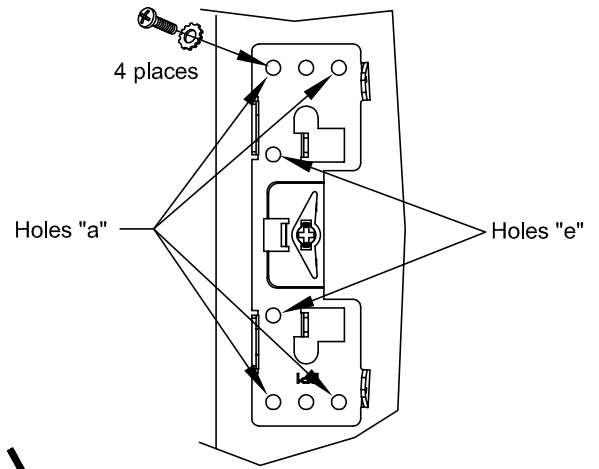
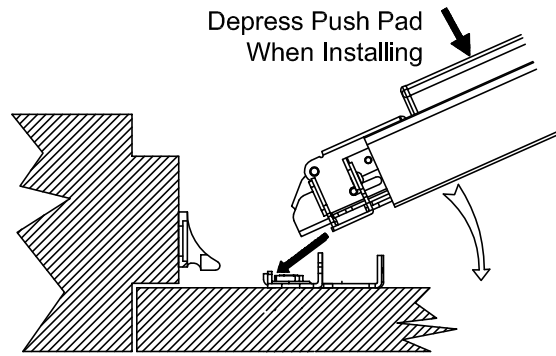


Fig. 4
(Wide Stile shown)

2. (Fig. 5) Depress pushpad, insert centercase into slots of backplate and rotate toward door. .



Surface Strike Fig. 5

3. (Fig. 6) Fasten rim device to mounting plate with 1/4-20 x 1/4" PPH machine screws.

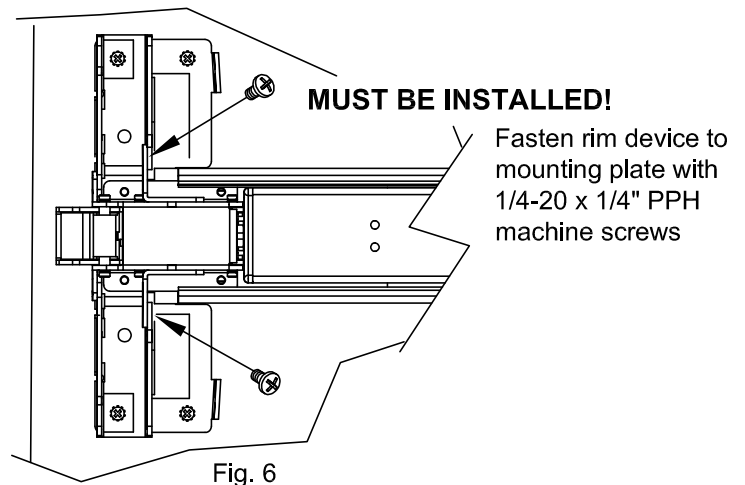


Fig. 6

4. (Fig. 7) With the key out of the cylinder, align the tailpiece extension into the backplate's trim cam on the inside door face. Using "e" holes, fasten the trim to the backplate with 1/4-20 machine screws. Three screw lengths are provided for varying door thicknesses.

5. Resume with panic hardware instruction.

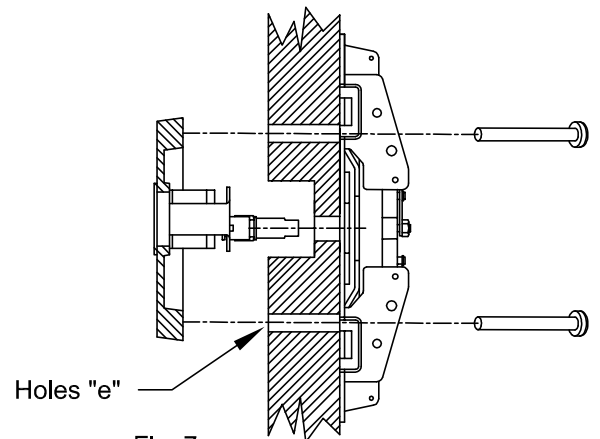


Fig. 7
Optional wood door shown

**ADVANTEK SURFACE VERTICAL ROD DEVICE:
ASSEMBLING THE OUTSIDE TRIM AND BACKPLATE ONTO THE DOOR:**

1. (Fig. 8) Install the backplate using holes "a" with the screws and lockwashers according to the Pilot/Drill/Tap/Screw chart .

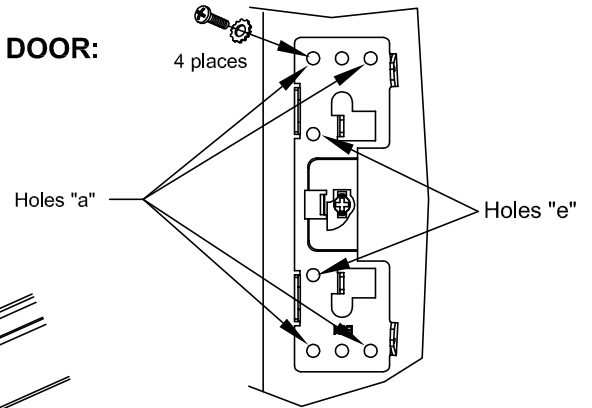


Fig. 8
(Wide Stile shown)

2. (Fig. 9) Depress pushpad, insert centercase into slots of backplate and rotate toward door.

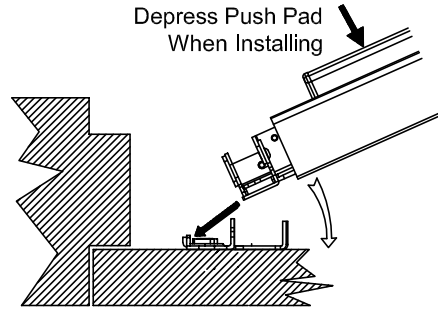


Fig. 9

3. (Fig 10.) Remove the E-Clips from one end of pins. Pull pins out (if installed). Pins and clips do not need to be re-installed.

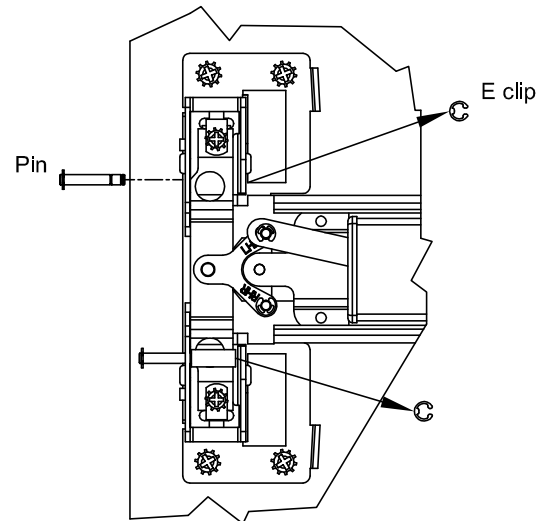


Fig. 10

4. (Fig. 11 & 12) With the key out of the cylinder, align the tailpiece extension into the backplate's trim cam on the inside door face. Using "e" holes, fasten the trim to the backplate with 1/4-20 machine screws. Three screw lengths are provided for varying door thicknesses.

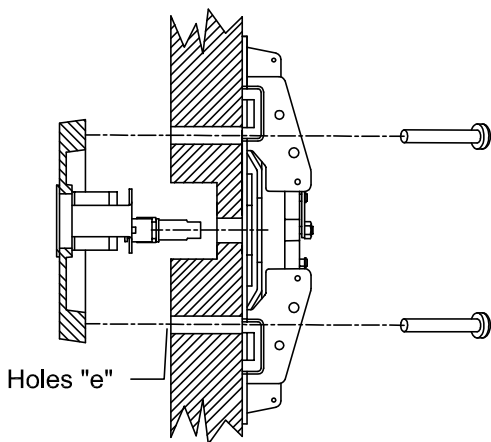


Fig. 11 Optional wood door shown

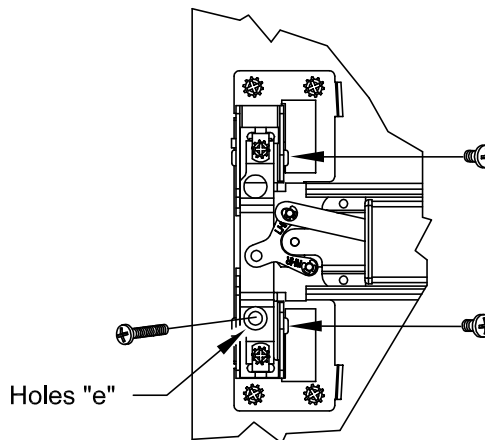


Fig. 12

MUST BE INSTALLED!

Fasten device to mounting plate with 1/4-20 x 1/4" PPH machine screws

Depress the pushpad to align the through hole in the carriage with the mounting hole drilled in the door. Install the 1/4-20 machine screw **without** lockwasher. Repeat for the remaining hole.

5. Continue with Surface Vertical Rod Installation Instructions.

Trouble Shooting Note: Screw heads should not interfere with the movement of the carriage.

Door Prep for 2" narrow stile glass doors using 03WS trim devices:

CAUTION: If you are using 03WS trim on a 2" narrow stile glass door, DO NOT USE THE PROVIDED STRIKE LOCATOR!

To install 03WS device without a strike locator:

INSIDE DOOR FACE:

1. Mark a vertical line 1" from the edge of the door.
Mark horizontal device centerline on door stile & frame.
See Fig 13.

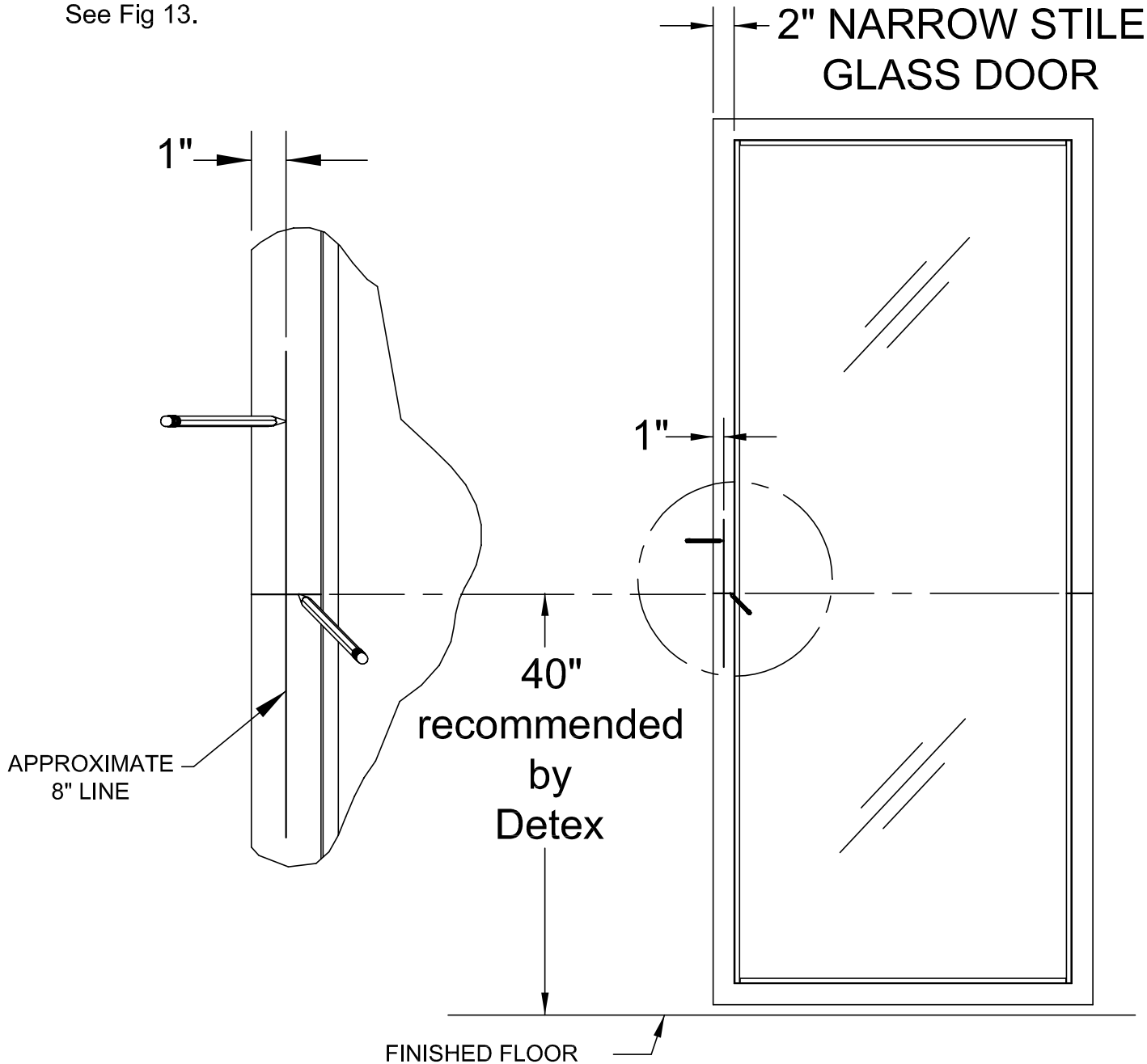


Fig. 13

Door Prep for 2" narrow stile glass doors using 03WS trim devices: (continued)

2. Block door shut.

Perform steps 3 through 5 on inside of door.

3. Place back plate on door stile, lining up the mounting holes with the vertical line drawn in step 1.

Align center of cam with the horizontal line drawn in step 1.

Mark and center punch 5 holes "a", "d" & "e".
See Fig. 14a & 14b.

DOOR FRAME

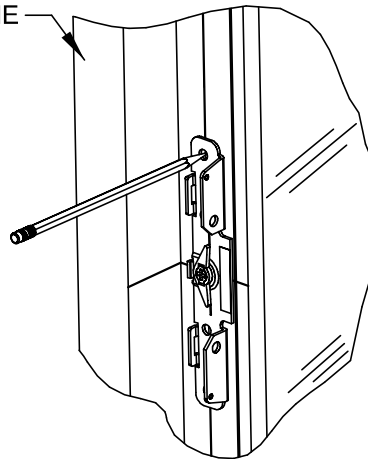


Fig. 14a

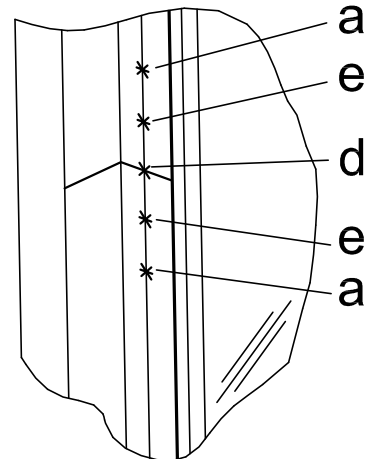


Fig. 14b

4. Slide the 98 strike against the blocked door & center on the line drawn on door frame.

Mark and center punch 2 strike holes.
See Fig. 15a 15b.

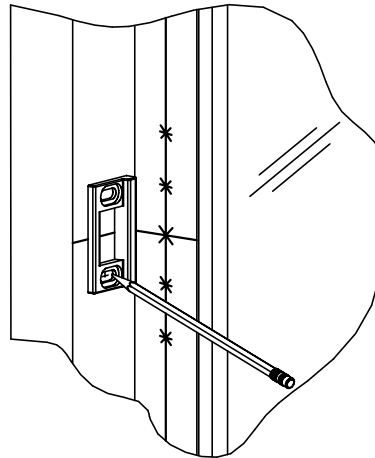


Fig. 15a

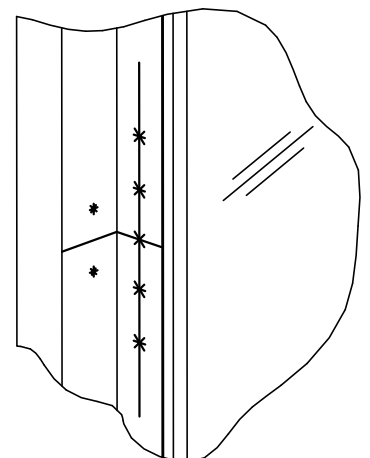


Fig. 15b

5. Drill one pilot hole "e" **straight and level** thru door at location shown.

See Fig. 16.

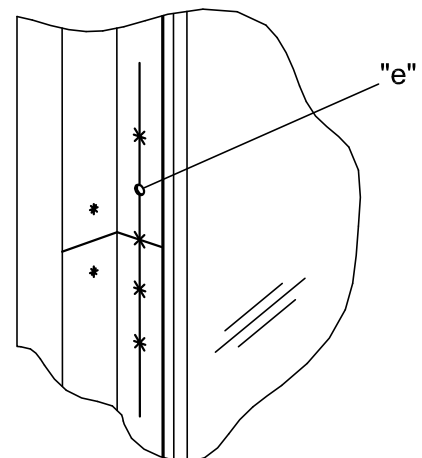
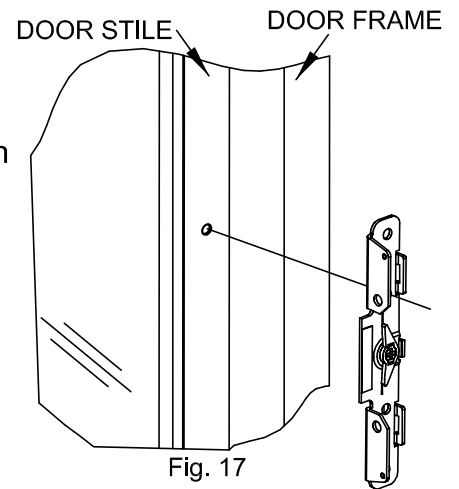


Fig. 16

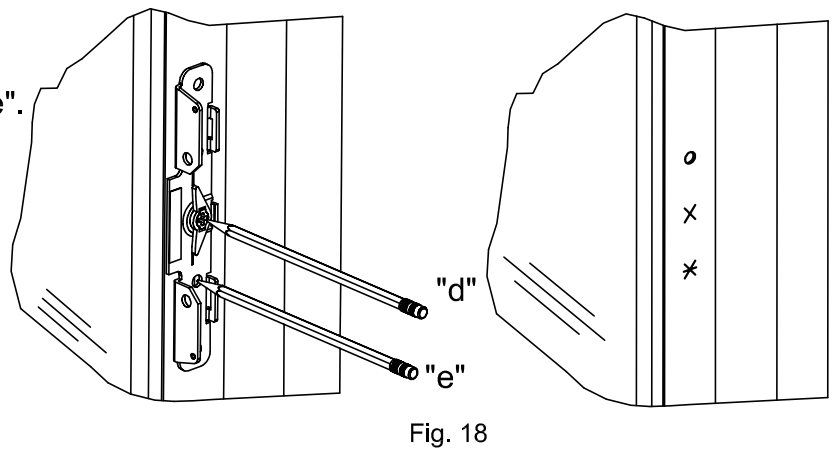
Door Prep for 2" narrow stile glass doors using 03WS trim devices: (continued)

OUTSIDE DOOR FACE:

6. Place the back plate on outside of door and center it as shown on the pilot hole previously drilled. Align back plate vertically parallel to door stile.
See Fig. 17.

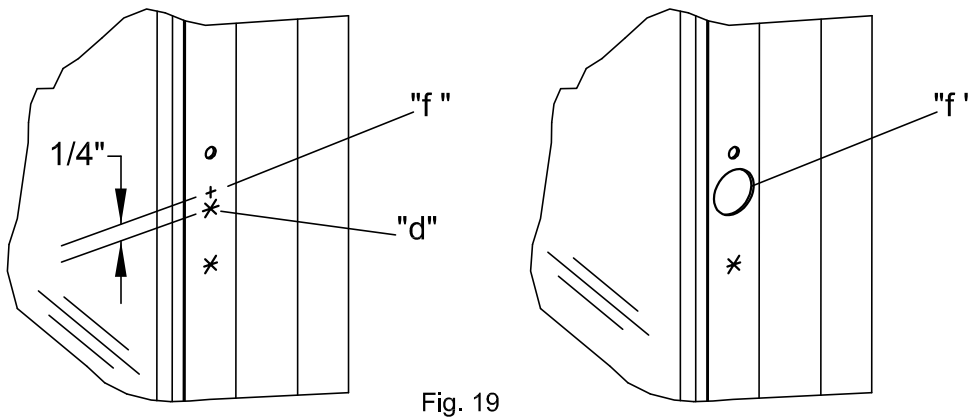


7. Mark the cam center "d".
Mark and center punch the other hole "e".
See Fig. 18.



8. Make a new mark and center punch 1/4" higher than the cam center "d" (Fig 19). This will be the mark for the 1-3/4" outside cylinder hole "f". Using a 1-3/4" hole saw, drill only through **outside** door face at "f".

NOTE: DRILL STRAIGHT AND LEVEL. USE EXTREME CAUTION - TIGHT TOLERANCE WITH NO MARGIN FOR ERROR!



Door Prep for 2" narrow stile glass doors using 03WS trim devices: (continued)

INSIDE DOOR FACE:

9. Drill a 3/4" hole through **INSIDE** door face at "d".
See Fig. 20.

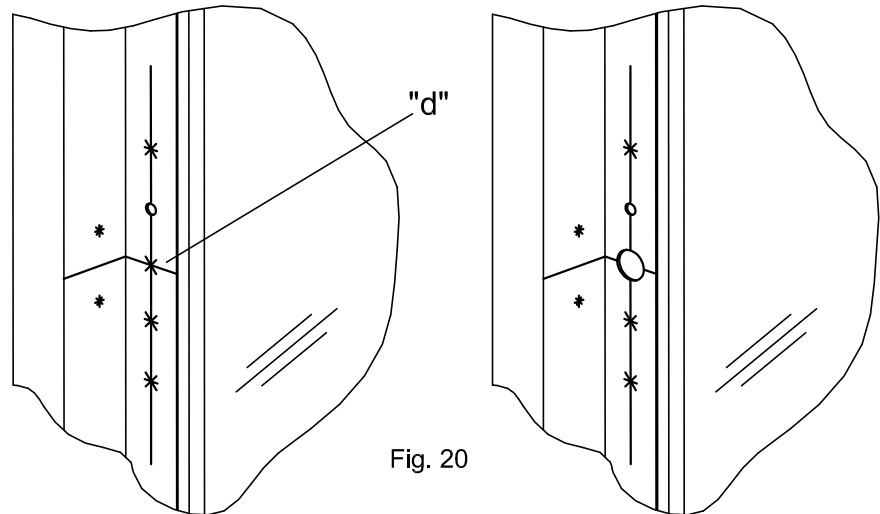
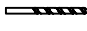


Fig. 20

10. Enlarge the pilot hole drilled earlier to 3/8"Ø through the door & drill the second "e" hole to 3/8"Ø through the door.
See Fig. 21.

Trim holes "e"		
1/4-20 Machine Screw	Door Thickness	Screw Length
 3/8"	1-3/8"	2"
	1-3/4"	2-1/4"
	2" or 2-1/4"	* 3"

*Cut to length

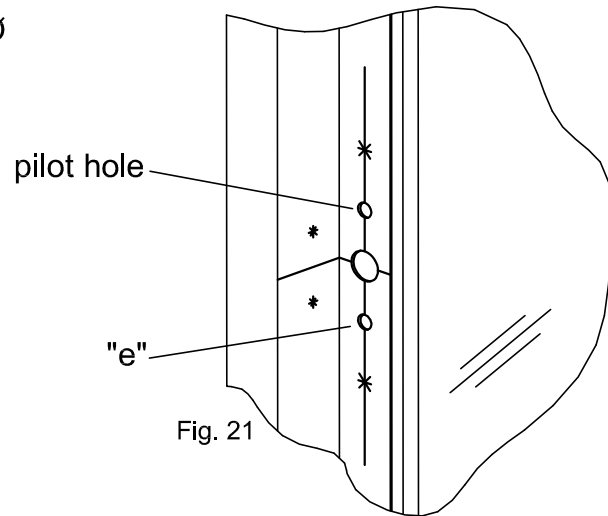

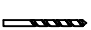
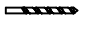

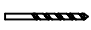



Fig. 21

11. Drill the back plate mounting holes "a" on the **INSIDE** door face only per chart.
See Fig. 22.

Back plate mounting holes "a"		
1/4-20 Machine Screw	#14 Wood Screw	#14 Sheetmetal Screw
 #7  13/64"	 3/16"	 #7 or  13/64"
 1/4-20		

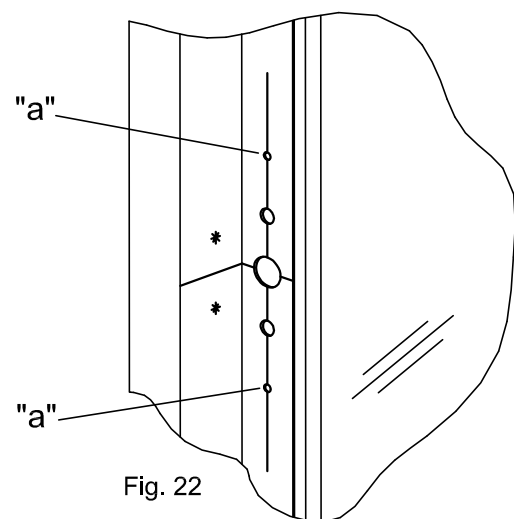
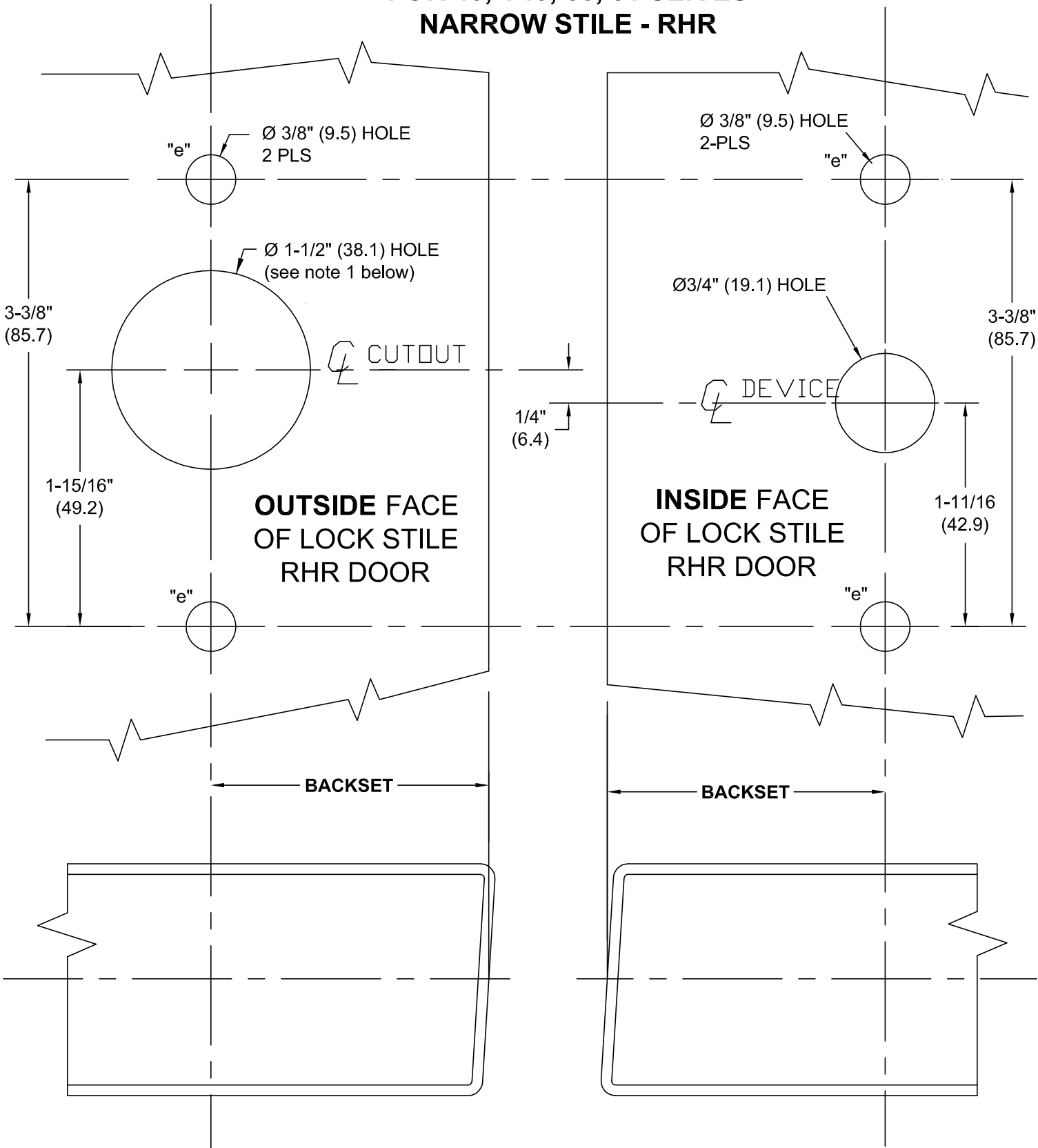


Fig. 22

Go back to sheet 2 of this instruction and complete the "Preparing the Trim" section.
Complete sheet 3.
Complete the "Assembling the Outside Trim" section on sheet 4.
Resume with Panic Hardware Instruction.

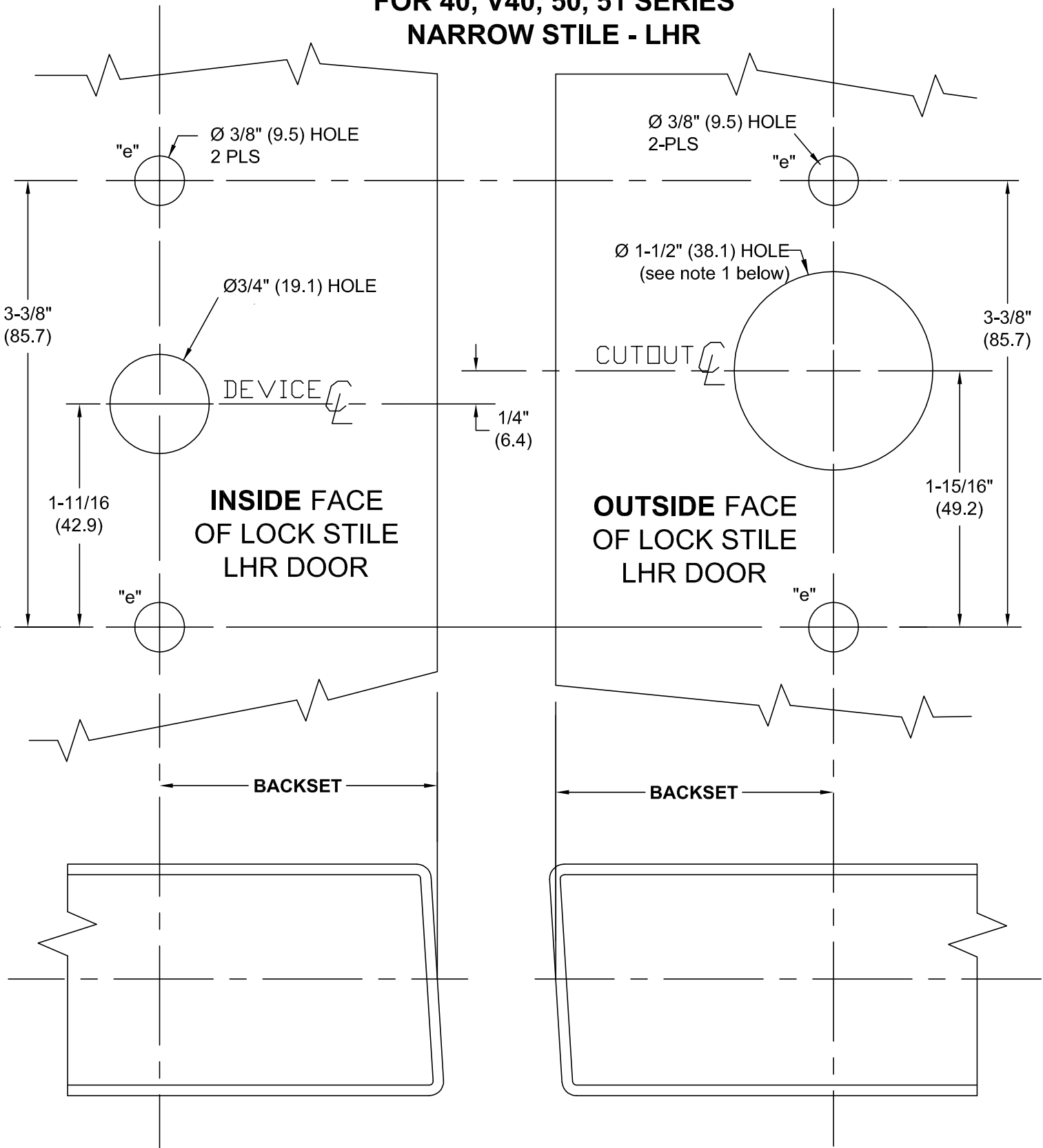
**TEMPLATE - 03 WS
FOR 40, V40, 50, 51 SERIES
NARROW STILE - RHR**



NOTES:

1. For wood doors, drill approximately $1-1/2" \text{ (38)}$ deep.

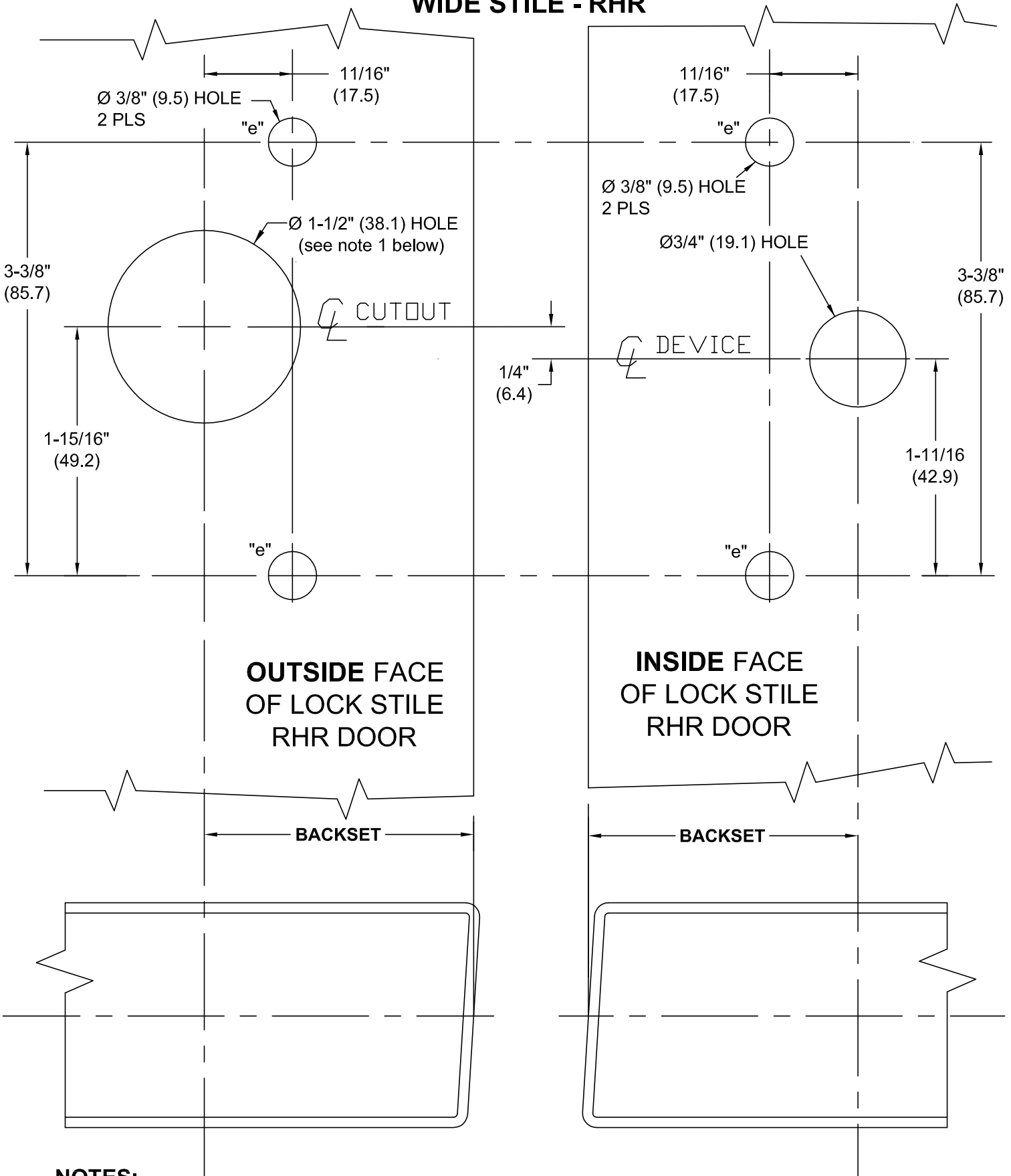
**TEMPLATE - 03 WS
FOR 40, V40, 50, 51 SERIES
NARROW STILE - LHR**



NOTES:

1. For wood doors, drill approximately 1-1/2" (38) deep.

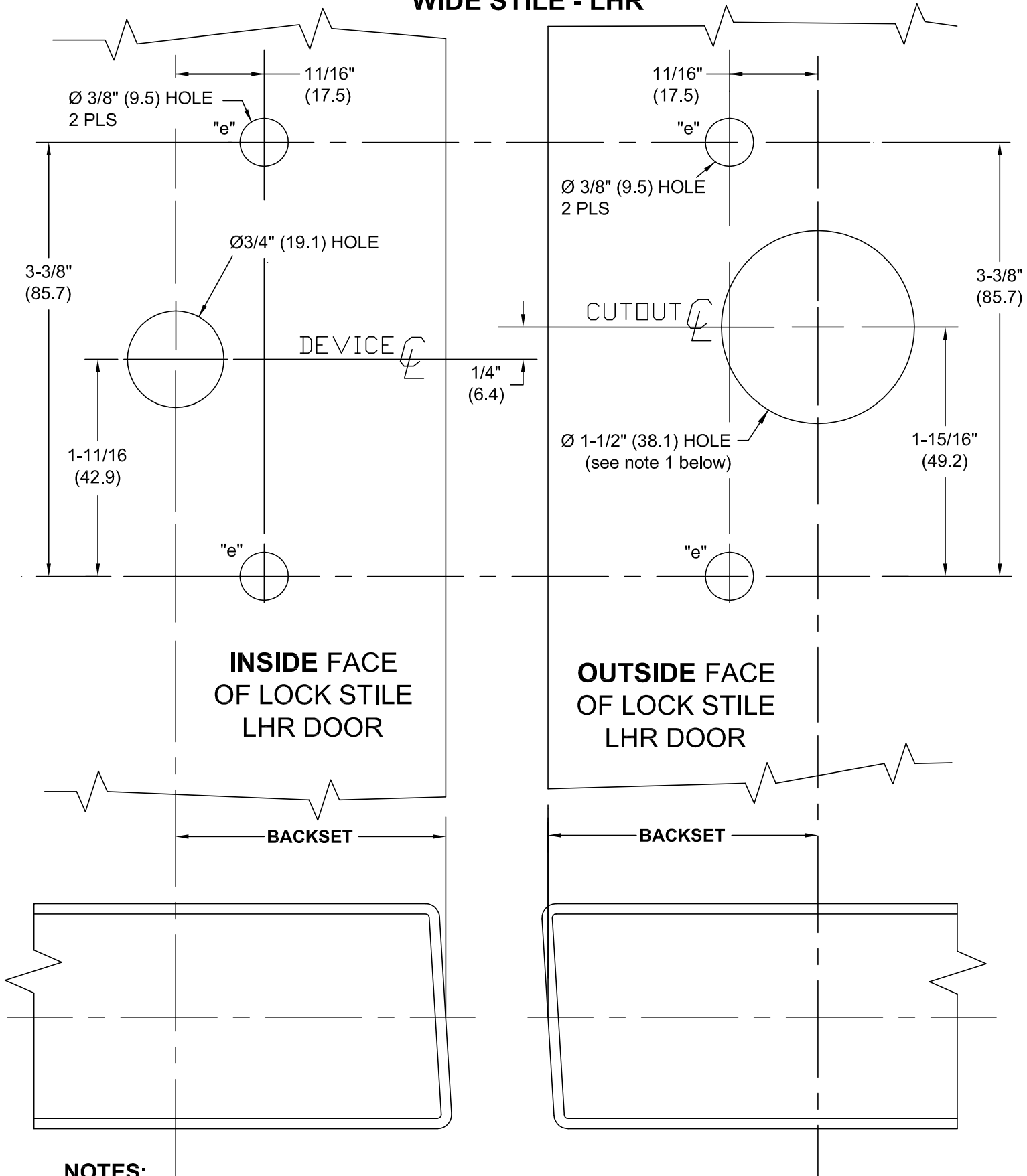
**TEMPLATE - 03 WS
FOR 10, 20, 21 SERIES
WIDE STILE - RHR**



NOTES:

1. For wood doors, drill approximately 1-1/2" (38) deep.

**TEMPLATE - 03 WS
FOR 10, 20, 21 SERIES
WIDE STILE - LHR**



NOTES:

1. For wood doors, drill approximately 1-1/2" (38) deep.