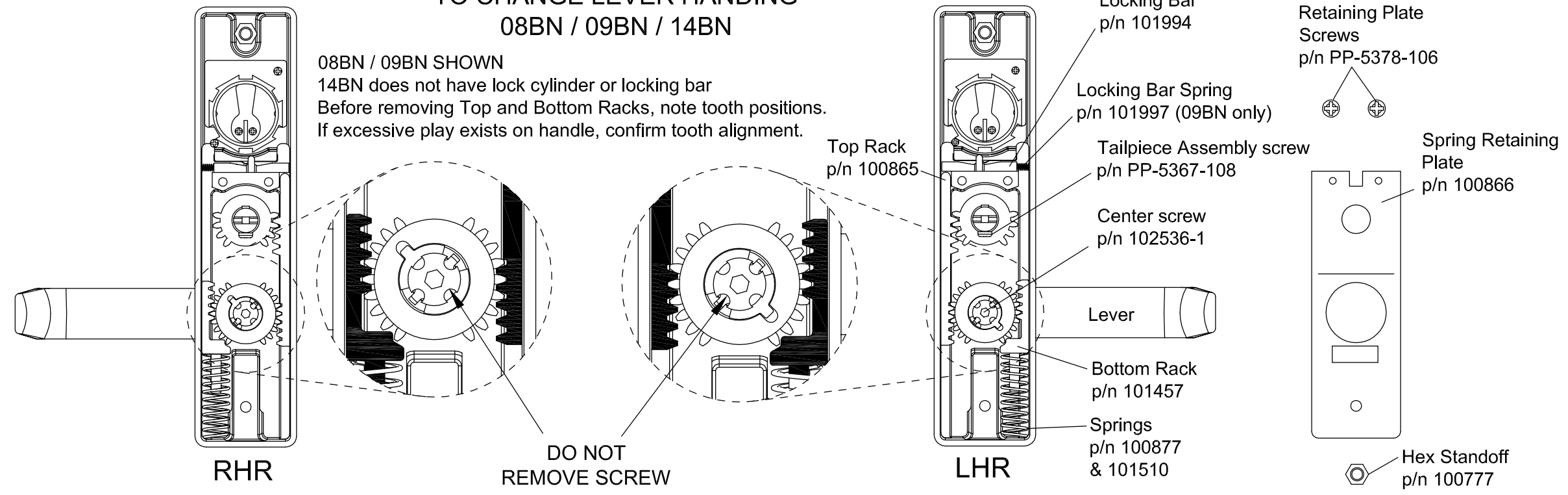
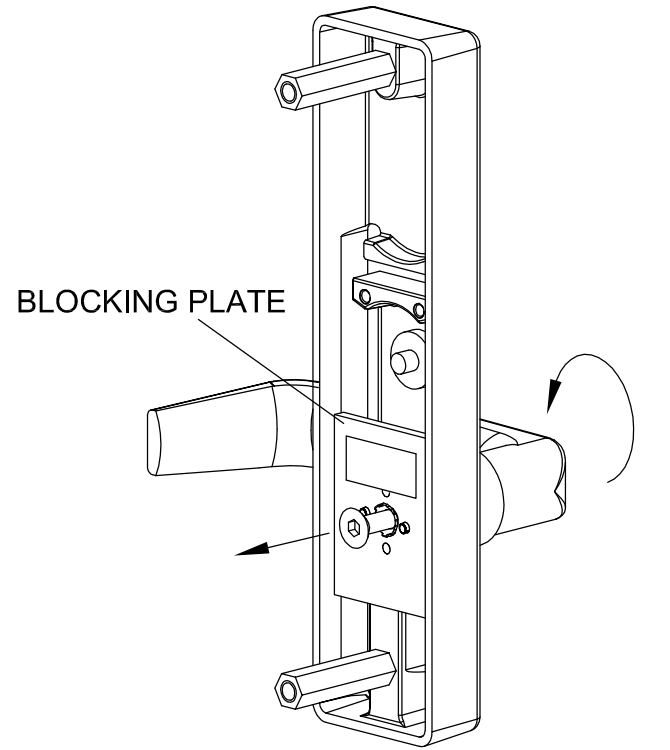


**TO CHANGE LEVER HANDING  
 08BN / 09BN / 14BN**



**TO CHANGE LEVER HANDING  
 02BN**



- A. Remove tailpiece assembly screw. (remove assembly if necessary)
- B. Remove hex standoff and two (2) screws holding spring retaining plate.  
 WARNING: Springs under pressure! Protective eyewear required.
- C. Remove Spring Retaining Plate.
- D. (09 Function only) Move Lock Bar spring to opposite side.
- E. Carefully remove springs and bottom rack.
- F. Remove top rack.

- G. Rotate lever to opposite side.
- H. Engage bottom rack on the opposite side as shown.
- I. Engage top rack on the opposite side as shown.
- J. Install springs on bottom rack. WARNING: Springs under pressure!
- K. Replace Spring Retaining Plate, hex standoff and screws.
- L. Replace tailpiece assembly screw.  
 Handing Complete

- A. Use 1/8" allen wrench to remove screw.
- B. Pull back on **BLOCKING PLATE**.  
 CAUTION: Do not lose the brass shear pin located behind plate.
- C. Turn handle 180°, align holes in plate with pins on inside collar.
- D. Reinstall screw & lockwasher.  
 Handing Complete