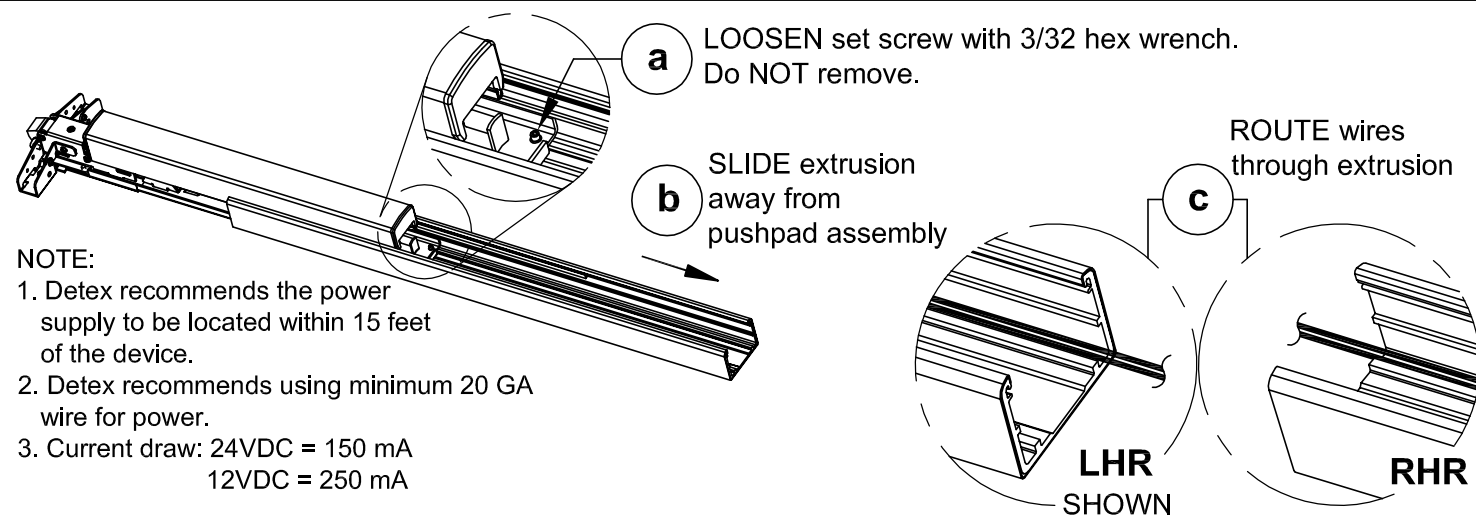


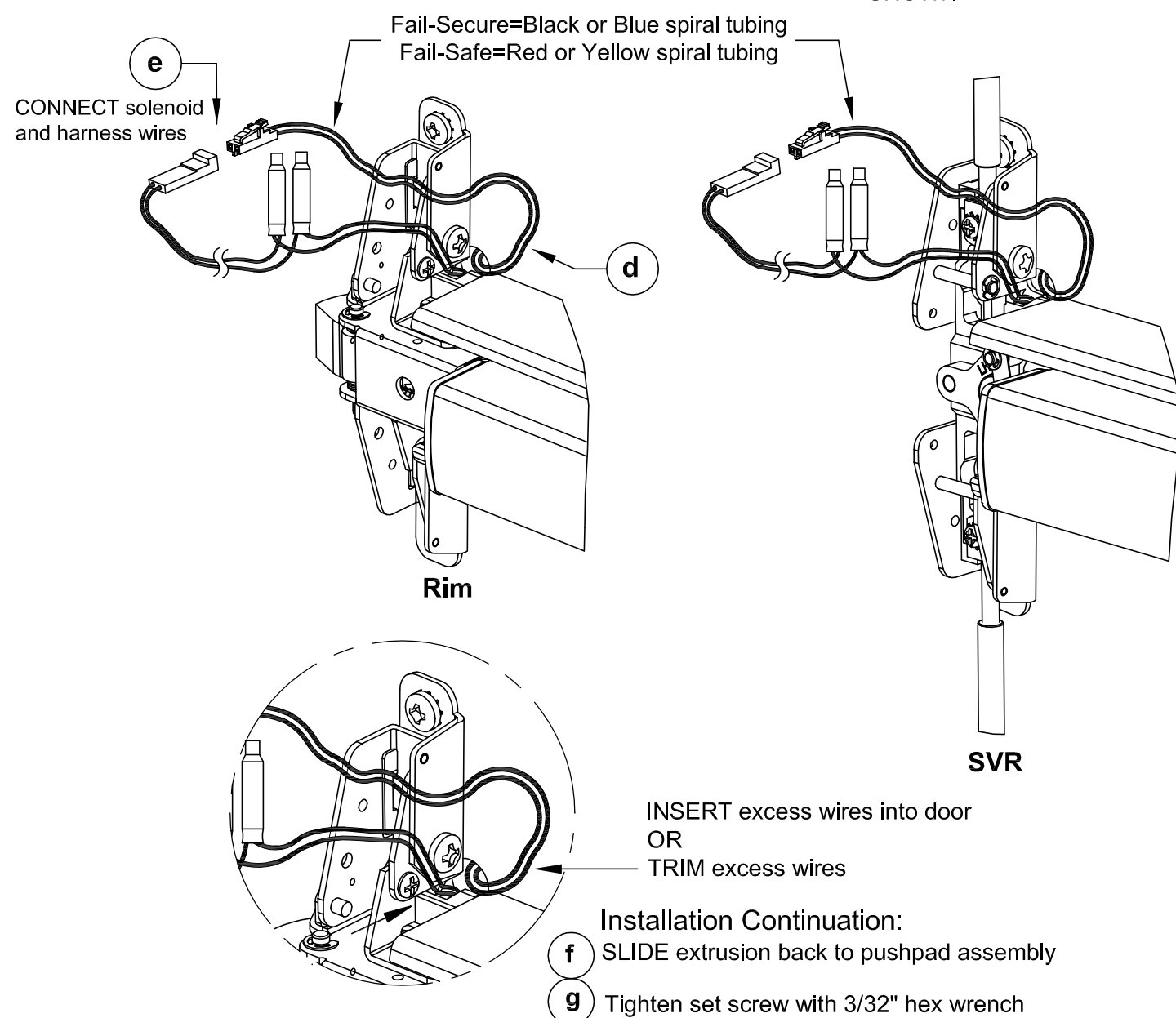
STEP 4: ROUTING WIRES THROUGH DEVICE

Wires can be routed through device or door



NOTE:

1. Detex recommends the power supply to be located within 15 feet of the device.
2. Detex recommends using minimum 20 GA wire for power.
3. Current draw: 24VDC = 150 mA
12VDC = 250 mA



Detex Corporation, 302 Detex Drive, New Braunfels, Texas 78130-3045
(830)629-2900 / 1-800-729-3839 / Fax (830)620-6711
E-MAIL: detex@detex.com INTERNET: www.detex.com

INSTALLATION INSTRUCTIONS FOR "EU2W" LEVER TRIM, 4-1/2" MINIMUM STILE

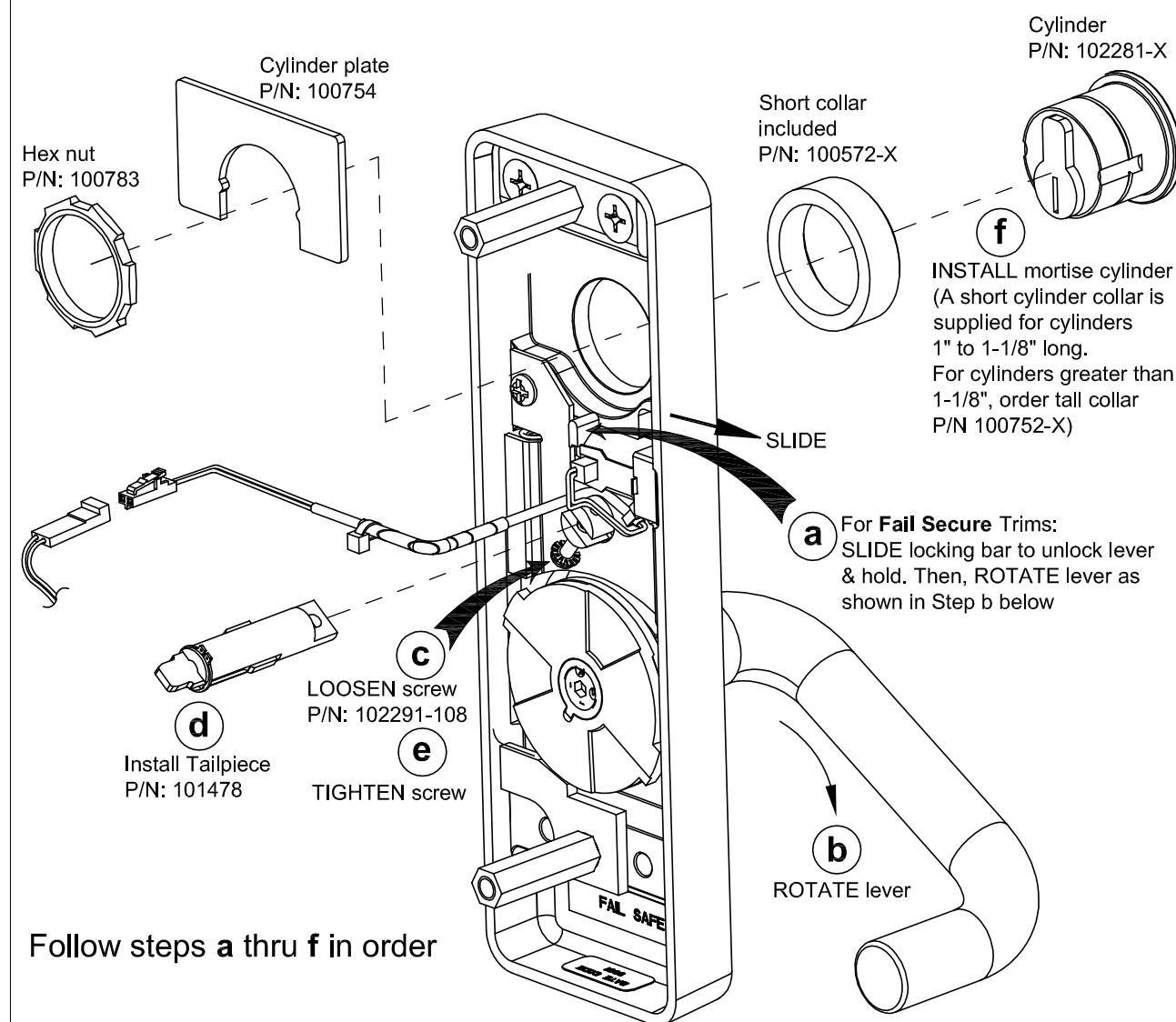
ELECTRIC UNLOCK: **NOTE: Trim is not field reversible.**

A DC power source is connected across the brown wires to power the internal solenoid. The solenoid connection is not polarized. The applied voltage will unlock for Fail-Secure and lock for Fail-Safe. Units are color coded as follows:

- 24 VDC Fail-Secure (Black spiral tubing) p/n 104209-1
- 24 VDC Fail-Safe (Red spiral tubing) p/n 104209-2
- 12 VDC Fail-Secure (Blue spiral tubing) p/n 104209-3
- 12 VDC Fail-Safe (Yellow spiral tubing) p/n 104209-4

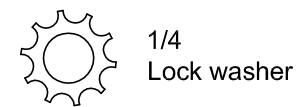
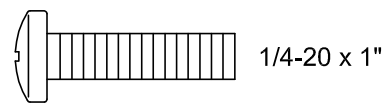
STEP 1: PREP TRIM DEVICE Install tailpiece for RIM or SVR

NOTE: Mortise cylinder NOT supplied with trim, but can be ordered separately.



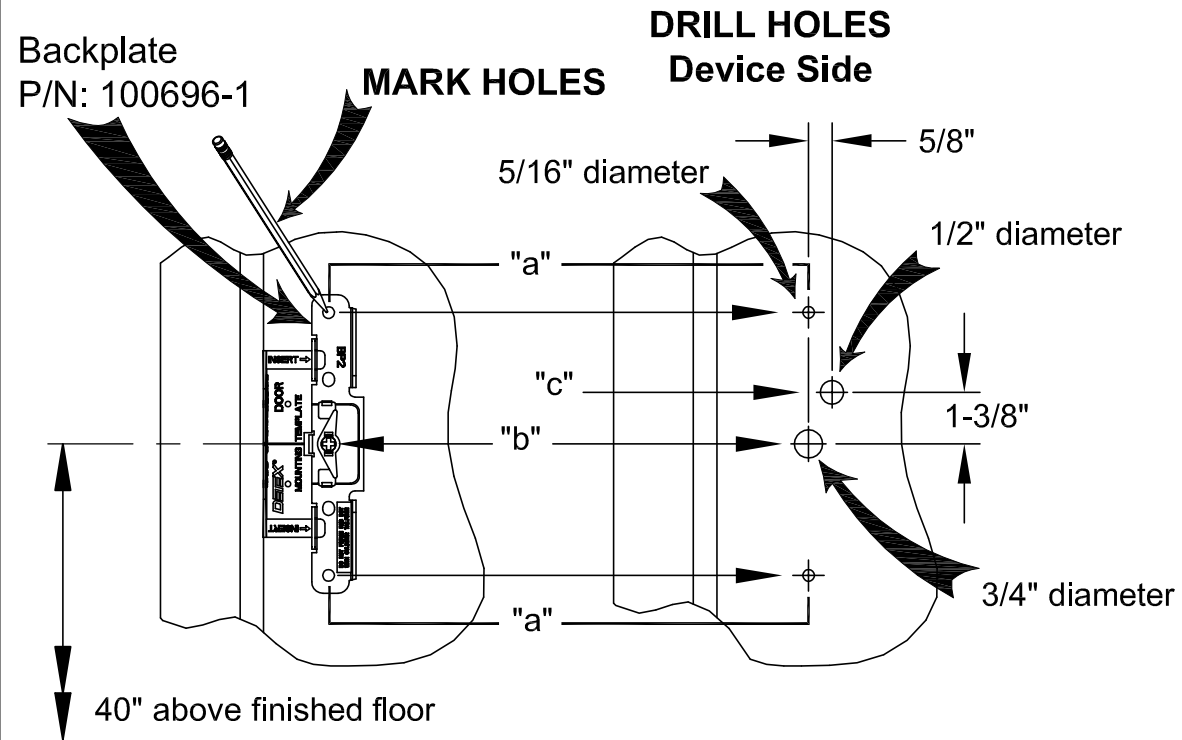
STEP 2a: PREP DOOR (Rim & SVR)

Mark & Drill holes



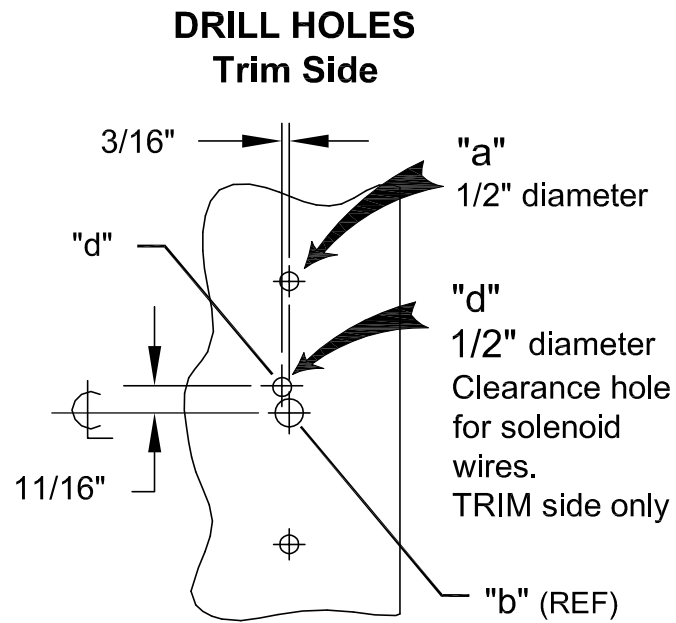
NOTES:

- 1) For a retrofit application, remove device before installing new trim.
- 2) LHR installation shown (Reverse all steps for RHR).



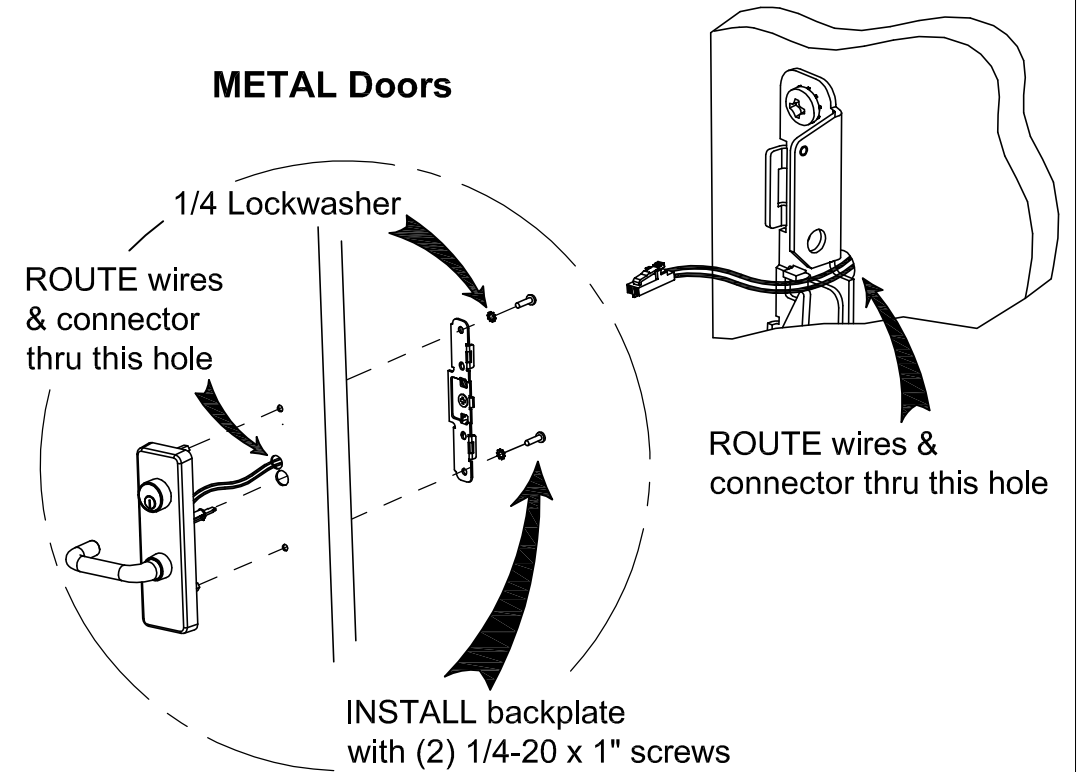
(Metal Doors Only)

Holes "a"		Hole "b"	Hole "c"	Hole "d"
Device Side	Trim Side	Trim & Device Side	Device Side ONLY	Trim Side ONLY
5/16"	1/2"	3/4"	1/2"	1/2"



STEP 3a: INSTALL TRIM DEVICE (Rim & SVR)

Install TRIM for Rim & SVR Device



(Wood Doors Only)

Holes "a"	Hole "b"	Hole "c"	Hole "d"
Trim & Device Side	Trim & Device Side	Trim & Device Side	Trim Side ONLY
1/2"	3/4"	1/2"	1/2"

