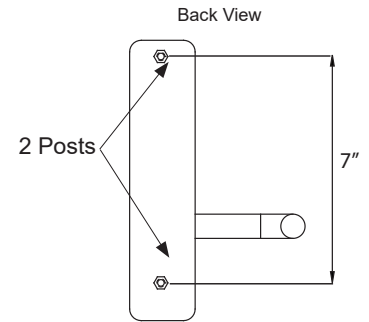
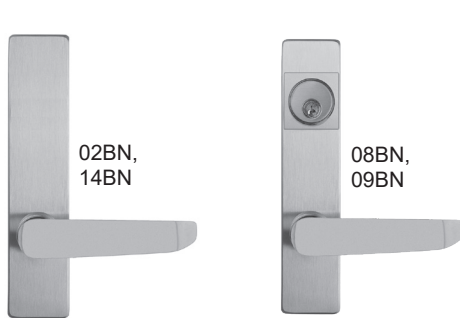


VALUE SERIES®

LEVER TRIM DESIGNS

Assorted outside trims provide security for all types of installations. Built to be as durable as the panic devices, these heavy-duty trims will stand up to heavy use and abuse. The versatile design of the trims, combined with the device mounting plate, makes changing functions as simple as replacing the outside trim. This can easily be done without removing the exit device from the door. These trims can be used on V40 Series Rim and V50 Series Surface Vertical Rods. Detex uses the BHMA functions/descriptions for all trims.

BN and MN Trim

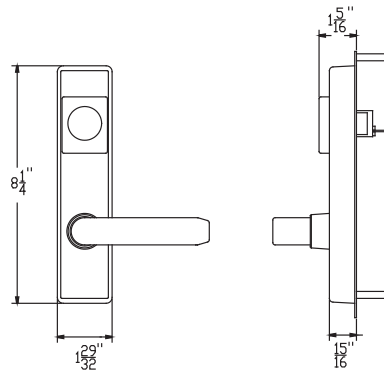


S Lever Standard

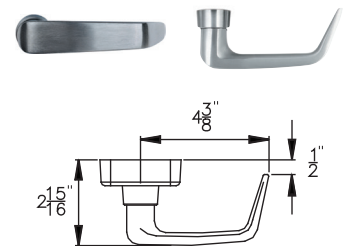
BN Trim available in 689 or 693 finishes

Mortise cylinder required for 08BN and 09BN

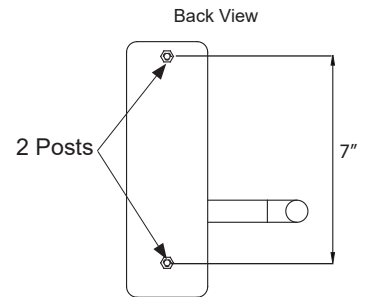
161 Prep Cover Plate Standard



S Lever



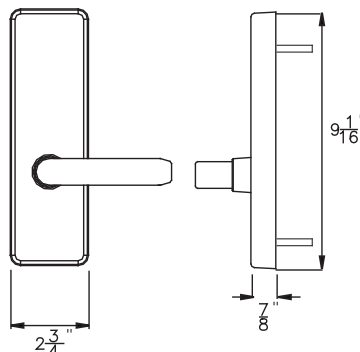
D2W Vandal Resistant Trim (Wide Escutcheon)



S Lever Standard

D2W Trim Available in 626 or 693 finishes

Mortise cylinder required for 08D2W and 09D2W



EU2W Electric Lock/Unlock Trim (Wide Escutcheon)

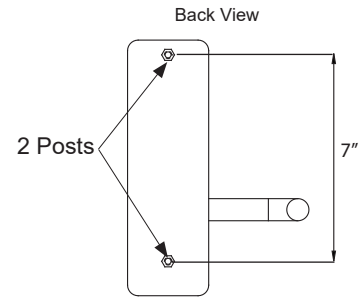
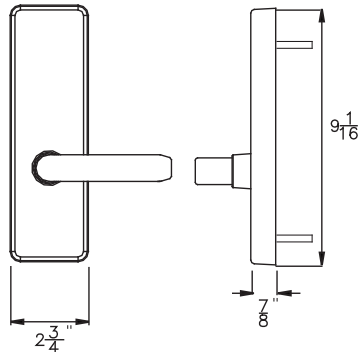


EU2W

S Lever Standard

Available in 626 or 693 finishes

Mortise cylinder required



BHMA Function/Description

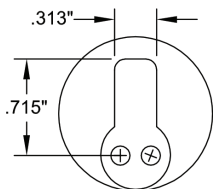
- 02 - Entrance by trim when actuating bar is locked down (dummy trim)
- 08 - Entrance by knob or lever. Key locks or unlocks knob or lever.
- 09 - Entrance by knob or lever only when released by key. Key removable only when locked.
- 14 - Entrance by trim when latch bolt is released by knob or lever. Always active, no cylinder.

Finishes

605 / US3	Polished Brass	629 / US32	Polished Stainless Steel	689 / SP28	Aluminum Painted
606 / US4	Brushed Brass			693 / SPBLK	Black Painted
611 / US9	Polished Bronze	630 / US32D	Brushed Stainless Steel	695 / SP313	Dark Bronze Painted
612 / US10	Brushed Bronze			711 / DC35	Black Anodized
613 / US10B	Oil Rubbed Bronze				

Technical Information

- BN Trims are Zinc Castings
- EU2W and D2W are forged Brass
- When ordered with device, trims will match mounting plate specified
- Value Series trims configured for use with BP2 and BP8 (standard)



Mortise Cylinder with standard Yale cam required

Cancer & Reproductive Harm - www.detex.com/prop65

Where Trust is Built™
DETEx®
 Life Safety, Security and Security Assurance

Detex Corporation
 302 Detex Drive
 New Braunfels, Texas 78130-3045 USA
 PH. (830) 629-2900
 (800) 729-3839
 FAX (800) 653-3839
<http://www.detex.com>
 USA Sales:
marketing@detex.com
 International Sales:
export@detex.com