



Detex Corporation, 302 Detex Drive, New Braunfels, Texas 78130-3045  
830-629-2900 / 800-729-3839 / Fax 800-653-3839 / Text photos only: 830-481-6433 / INTERNET: www.detex.com

**INSTALLATION INSTRUCTIONS FOR DETEX VALUE SERIES® RIM V40 SERIES  
FV40 SERIES, "H" MODEL (HURRICANE), "W" MODEL (WEATHERIZED), V40NS (NARROW STILE)**

Drawing: 101800  
102400

U.S. PATENT NUMBERS:  
6009732  
6205825B1  
6532777B2  
INTERNATIONAL PATENT NUMBER:  
PCT6009732

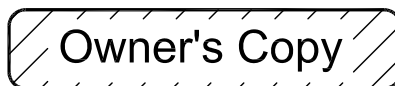
<b>Table of Contents</b>	<b>Page</b>
Device parts breakdown view.....	2
Device parts breakdown list with part numbers.....	3
Hardware List with part numbers & tools required.....	4
Door condition check.....	5
Mounting plate and 99 Strike installation.....	6
Device installation.....	7
Check for device clearance, Mortise cylinder installation.....	8
98 Strike installation, Strike hook installation.....	9
94 Double Door Strike installation (if required).....	10
Optional Accessories.....	11

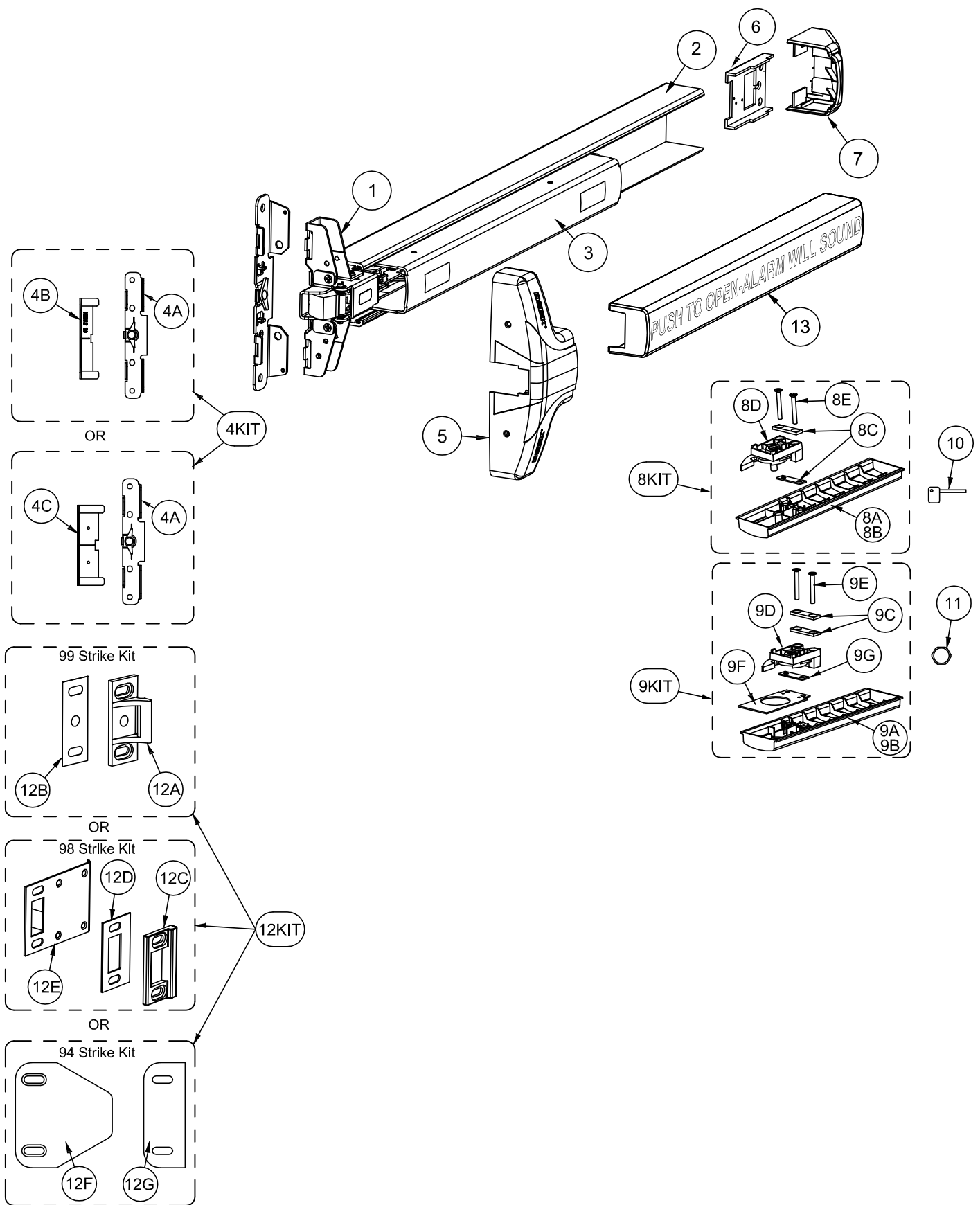
Should you have a Question/Problem with your Detex device please call Detex Technical Support from the job site at 1-800-729-3839 and choose option 2 on our menu. Please do not return the product to the distributor.

For **WARRANTY** information,  
scan code below or go to  
[www.detex.com/warranty](http://www.detex.com/warranty)



For device installation videos,  
scan code below or go to  
[www.detex.com/videos](http://www.detex.com/videos)

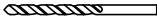

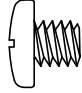
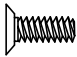
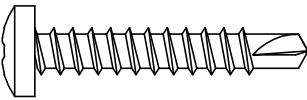
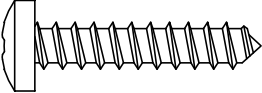



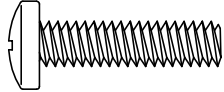


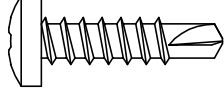

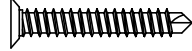


<b>PARTS BREAKDOWN</b>		
<b>Item</b>	<b>Order Part #</b>	<b>Description</b>
1	100698-5	Centercase Assembly, Narrow Stile, V40 series
2	106281	Baseplate Extrusion, 36", Silver
	106285	Baseplate Extrusion, 48", Silver
	106289	Baseplate Extrusion, 36", Black
	106290	Baseplate Extrusion, 48", Black
3	103065-1	Pushpad Subassembly, 36"
	103065-2	Pushpad Subassembly, 48"
4KIT	103806-1	Mounting Plate/Strike Locator Kit, Narrow Stile, 98 Strike BP2 (includes 4A & 4B)
	103806-3	Mounting Plate/Strike Locator Kit, Narrow Stile, 99 Strike, BP2 (includes 4A & 4C)
4A	100696-1	Mounting Plate, BP2, Narrow Stile
4B	101899	Strike Locator 2" Glass Door (98)
4C	100212	Strike Locator, Standard (99)
5	101805-1	Centercase Cover, V40 series
6	101844-1	Endcap bracket w/o battery holder
	101844	Endcap bracket w/ battery holder
7	101822	Endcap
8KIT	101803-1	Fillerplate, Subassembly, S&R, Hex Dogging, HD, V40 series, 36" (includes 8A or 8B through 8E)
8A	101812-1	Fillerplate, HD, 36"
8B	101812-2	Fillerplate, HD, 48"
8C	100164	Spacer, dogging bracket, .120" thick
8D	102216-4	Die cast dogging assembly, HD
8E	PP-5802-124	Screw, mach, 10-32 x 1-1/2" PFH
9KIT	102195-1	Fillerplate, Subassembly, S&R, Cylinder Dogging, CD, V40 series, 36" (includes 9A or 9B through 9G)
9A	102194-1	Fillerplate, CD, 36"
9B	102194-2	Fillerplate, CD, 48"
9C	100164	Spacer, dogging bracket
9D	102216-3	Die cast dogging assembly, CD
9E	PP-5802-124	Screw, mach, 10-32 x 1-1/2" PFH
9F	102196	Bracket, fillerplate, V40, CD
9G	100938	Spacer, dogging bracket, .060" thick
10	100450	Hex Key (for Hex Dogging)
11	100783	Cylinder Nut (for Cylinder Dogging)
12KIT	100855-2	99 Strike Kit (includes 12A & 12B)
	100855-1	98 Strike Kit (includes 12C, 12D & 12E)
	102212-1	94 Double Door Strike Kit (includes 12F & 12G)
12A	100234-1	Strike, Non-roller
12B	100088	Strike Shim
12C	100480	Strike, Mortise
12D	100482	Shim, Mortise Strike
12E	100481	Shield, Strike
12F	102211	Double Door Strike Plate
12G	102214	Shim, 94 strike
13	105417-1	Pushpad Wrap, 36", Red (English text)
	105417-2	Pushpad Wrap, 48", Red (English text)
	105417-3	Pushpad Wrap, 36", Black
	105417-4	Pushpad Wrap, 48", Black

Your particular part or configuration  
may not be shown:  
Contact Detex technical support  
at 800-729-3839 (option 2)

**Hardware Table for BASIC device mounting.**  
**Additional hardware is provided per the device configuration in kit form and is addressed on the appropriate pages as required**  
 Device hardware kit: p/n 101809-2 for Hex Dogging (HD)  
 Device hardware kit: p/n 101809-5 for Cylinder Dogging (CD)

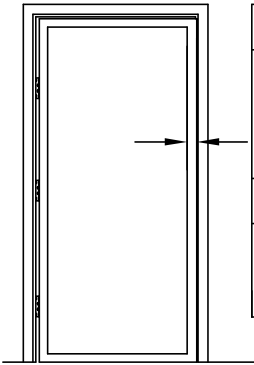
	Fastener Part No	Drill Bit 
	P/N: 100980 1/4-20 x 1" PPH	#7 or 13/64"
	P/N: 101621-5 1/4-20 x 1/4" PPHMS	#7 or 13/64"
	P/N: 100162-106 6-32 x 3/8" PFHUMS	-----
	P/N: 103276-65 #14 x 1-1/2" PPH self-drilling	1/8 pilot hole recommended for self-drilling screws
	P/N: PP-5183-110 #14 x 1-1/4" PPH wood screw	1/8 pilot hole recommended for wood screws
	P/N: PP-5067-25 #14 Lockwasher	

99 Strike Kit: p/n 100855-2 or 98 Strike Kit: p/n 100855-1			
	P/N: 100980 1/4-20 x 1" PPH	#7 or 13/64"	in both kits
	P/N: 100112 10-24 x 5/8" PFHUMS		in 99 kit only
	P/N: 100162-1 6-32 x 5/8" PFHUMS		in 98 kit only
	P/N: 103276-63 #14 x 1" PPH	1/8 pilot hole recommended for self-drilling screws	in both kits
	P/N: 103277-216 #10 x 1" self-cutting PFHU		in 99 kit only
	P/N: 101451-1 #6 x 1" self-cutting PFHU		in 98 kit only

**Tools Required:**

- |                |            |  |
|----------------|------------|--|
| Safety Glasses | Pencil     | Phillips & small flat Screw Drivers                      |
| Power Drill    | Hammer     | Combination Square                                       |
| Tape Measure   | Pliers     | Center Punch   |
| Level          | 1/4-20 Tap | Saw for cutting device if necessary (chop saw preferred) |

# !!!CHECK BEFORE STARTING!!!

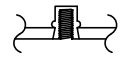
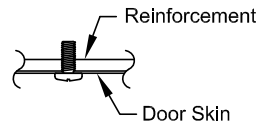


Wide Stile (Surface Strike)
Minimum door stile 4-1/2" (114 mm) Template drawings provide door and frame structural and dimensional specifications for door and frame preparation.
Narrow Stile
Minimum door stile 2" (51mm) Surface strike possible Mortise strike recommended

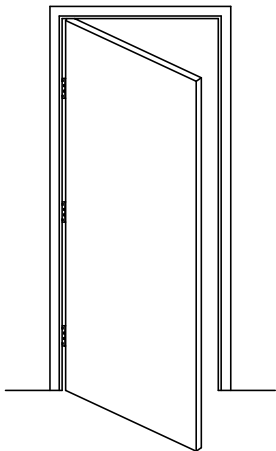
Doors and frames with walls having a structural thickness (metal skin plus reinforcement, or solid wood) to engage less than (3) full screw threads, are considered unreinforced for hardware.

Unreinforced Doors: Use Sex Nuts and Bolts  
Unreinforced Frames: Use Blind Rivet Nuts (see sketch)  
Fasteners for unreinforced openings are not supplied by Detex.

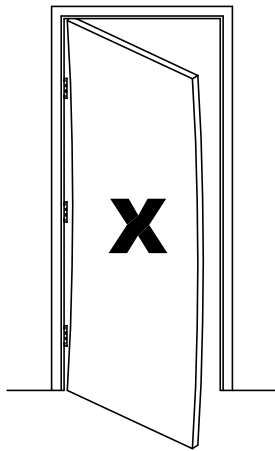
Reinforced door or frame engages at least (3) screw threads.



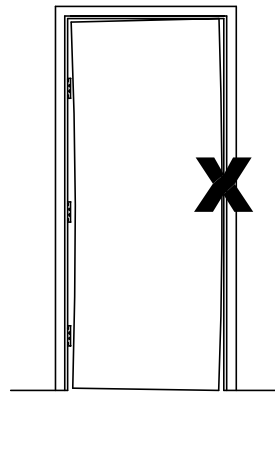
Blind Rivet Nut



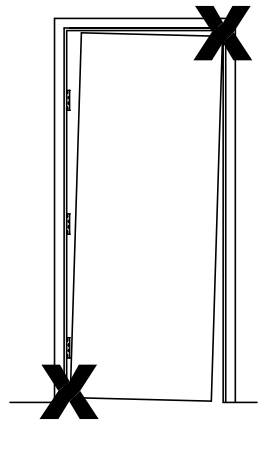
Door Must Swing Freely



Door Must Not be Warped



Door Must Not Bind

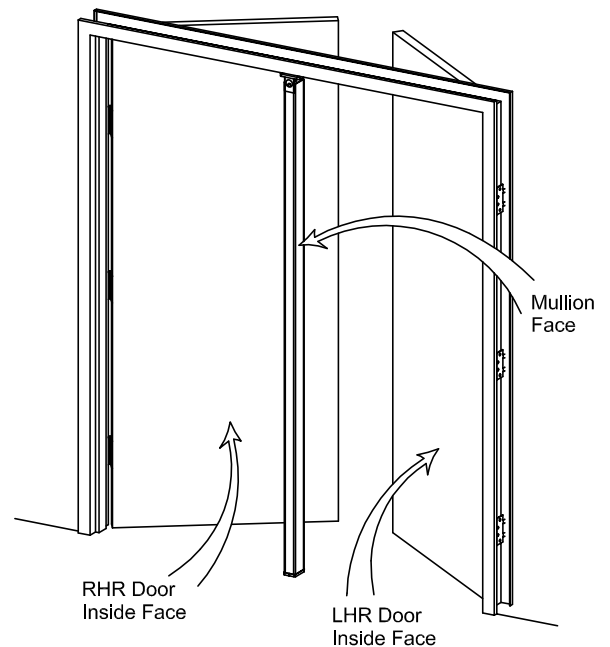
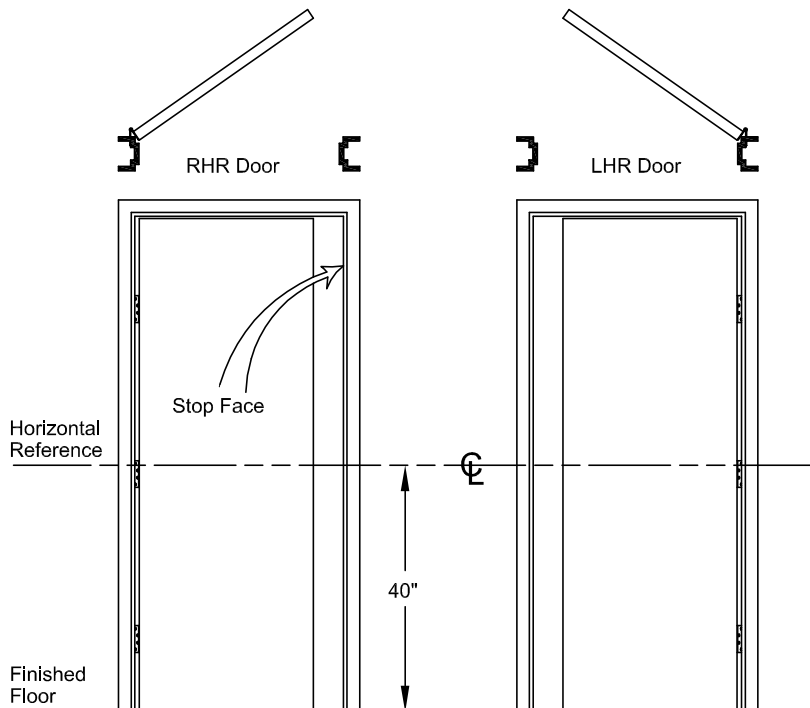


Door Must Not Sag

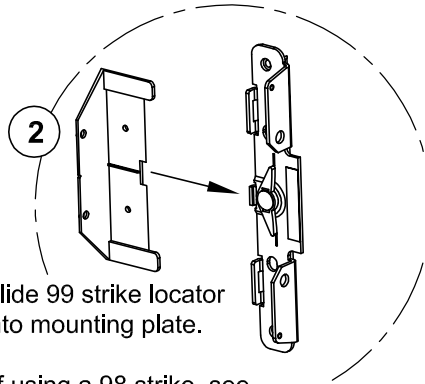
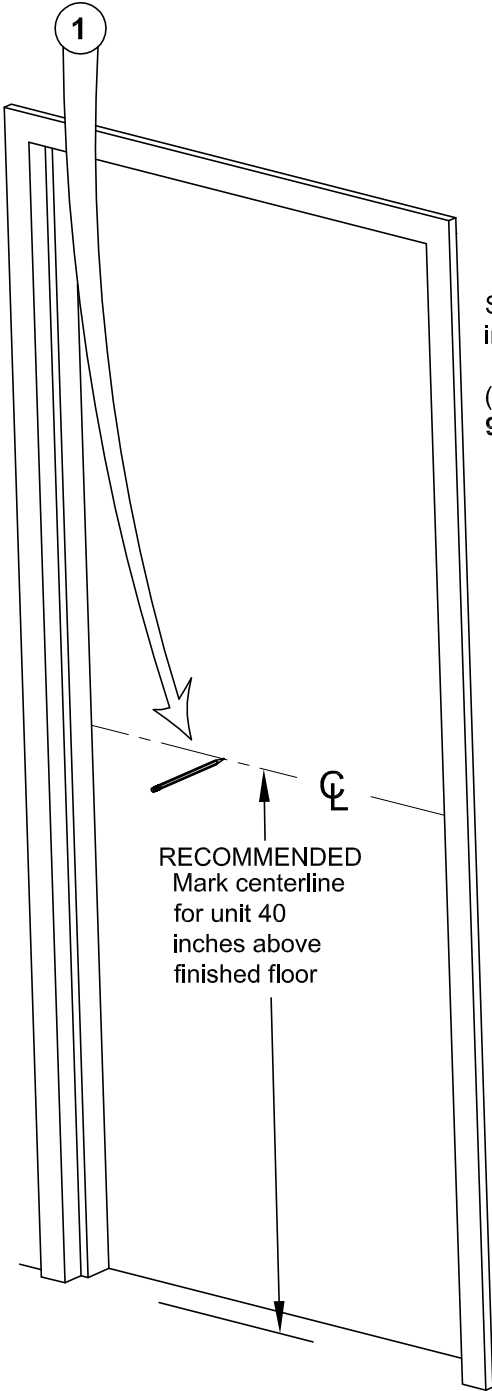
NOTE: 750mm MAXIMUM DOOR WIDTH OPENING FOR EUROPE FOR 36" DEVICE  
(1000mm MAXIMUM DOOR WIDTH OPENING FOR EUROPE FOR 48" DEVICE)

THE SAFETY FEATURES OF THIS PRODUCT ARE ESSENTIAL TO ITS COMPLIANCE WITH EN 1125.

NO MODIFICATION OF ANY KIND, OTHER THAN THOSE DESCRIBED IN THESE INSTRUCTIONS ARE PERMITTED.

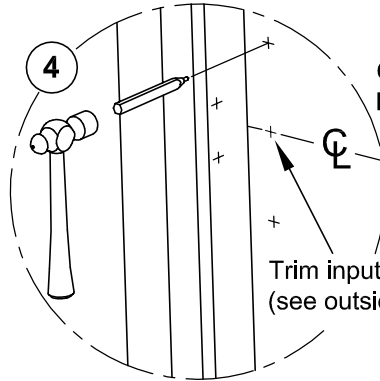
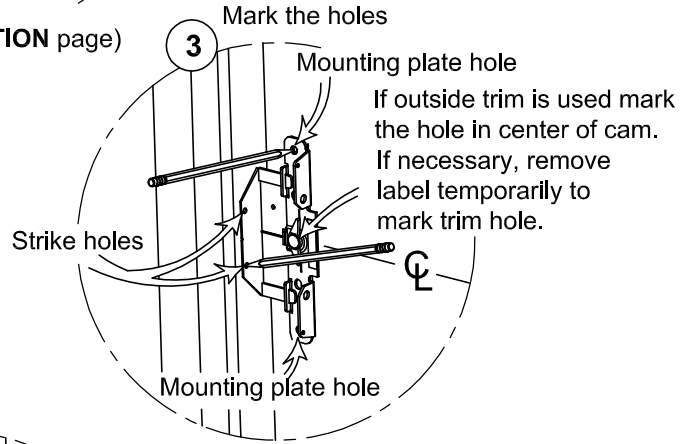


# MOUNTING PLATE & STRIKE INSTALLATION:

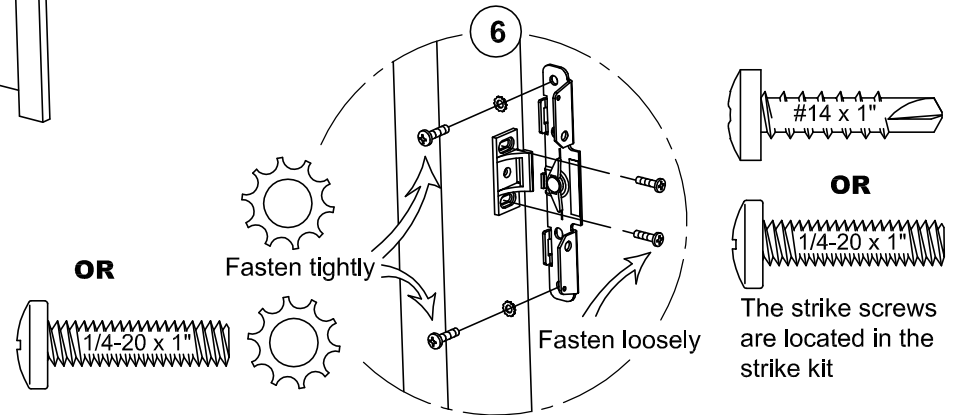


Slide 99 strike locator into mounting plate.

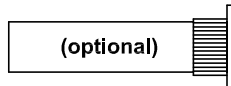
(if using a 98 strike, see 98 STRIKE INSTALLATION page)



Centerpunch the mount plate & strike holes. No predrilling required for self-drilling screws.



**NOTE: HURRICANE rated devices MUST BE thru-bolted using either sexnuts or outside mating trim**

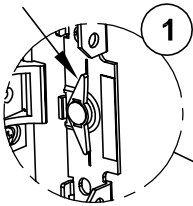


Optional Sex Nuts can be used for thru-bolting the device to the door. Catalog No: SN1 (quantity 2 per order)

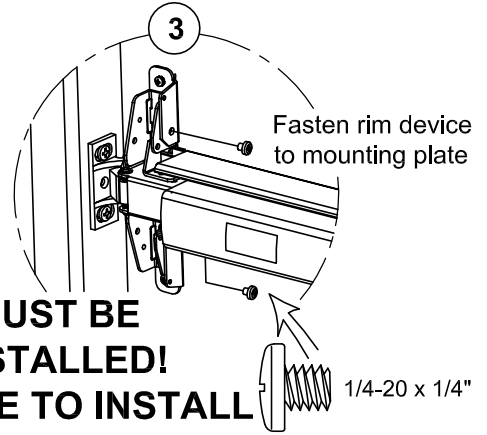
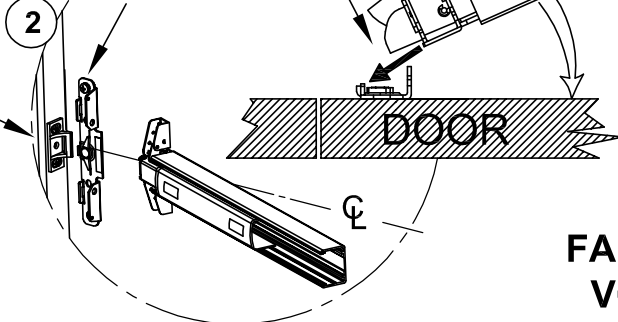
**DEVICE INSTALLATION:**

**NOTE: If device is too long, refer to next page for cut-down procedure.**

Position cam as shown



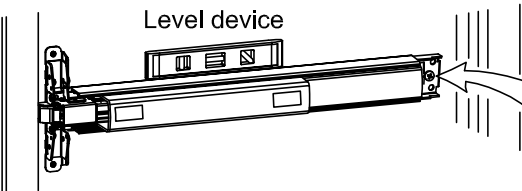
Insert centercase into slots of centercase mounting plate, **DEPRESS PUSHPAD**, rotate toward door.



**MUST BE INSTALLED!  
FAILURE TO INSTALL  
VOIDS WARRANTY**

1/4-20 x 1/4"

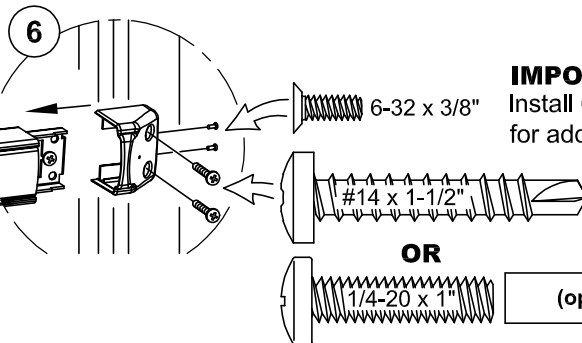
Level device



4 Slide fillerplate & endcap bracket into extrusion & level pushpad assembly.  
**Note:** Endcap Bracket must bottom-out on extrusion.  
DO NOT REMOVE NYLON SPACER ON BACK OF BRACKET!

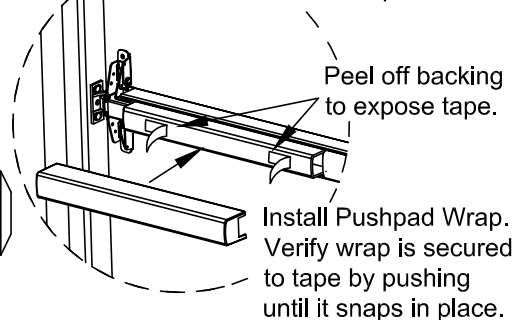
5 With pushpad assembly level, secure the endcap bracket to door by tightening the factory installed self-drilling screw.

6 Slide and mount endcap to endcap bracket. **DO NOT OVERTIGHTEN SCREWS**

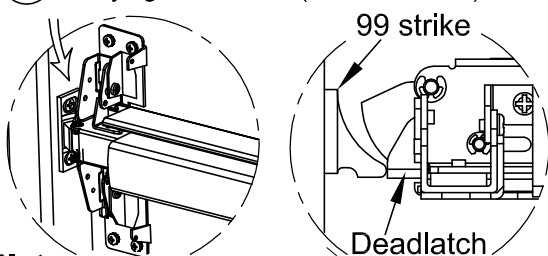


**IMPORTANT:** Install 6-32 screws for added security

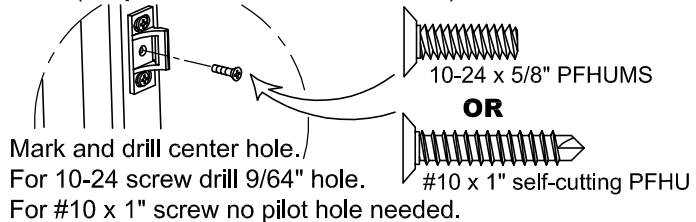
7 If Pushpad Wrap is not already installed, follow step 7.



8 Align the 99 strike with the latchbolt. Firmly tighten screws (shim if needed)



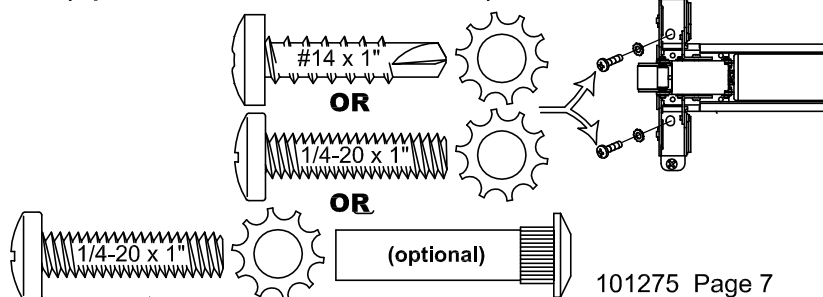
9 Secure the 99 strike **(Required on hurricane models)**



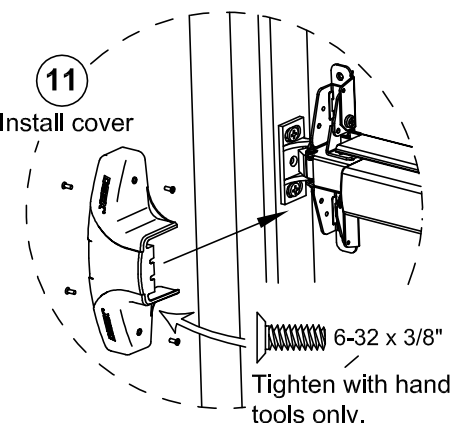
**Note:**

Check device function and strike engagement **BEFORE** going to step 9

10 **REQUIRED SUPPORT SCREWS FOR HURRICANE MODELS** (Optional on non-hurricane models)

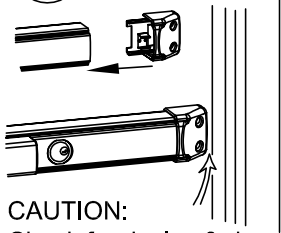


11 Install cover



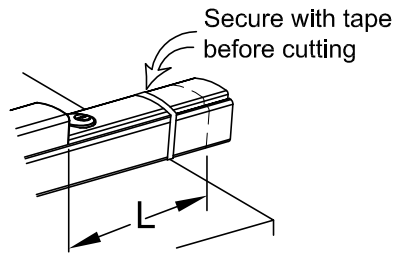
## CHECKING FOR DEVICE CLEARANCE (Cut-Off procedure if required)

**1** Slide endcap assembly onto extrusion



**CAUTION:**  
Check for device & door frame clearance. If no cut-off needed, proceed to MORTISE CYLINDER INSTALLATION

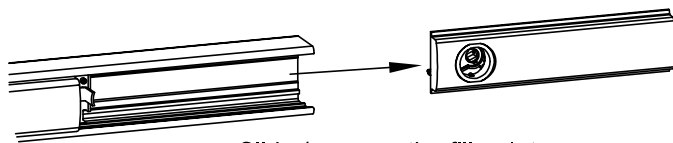
**2** Cut fillerplate and extrusion STRAIGHT & SQUARE to desired length and deburr



Non-Electrified Minimum Fillerplate Length	
Type	Length (L)
<b>LD</b>	2-1/2"
<b>HD/CD</b>	3"

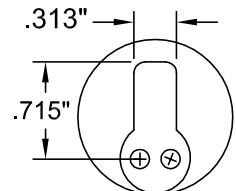
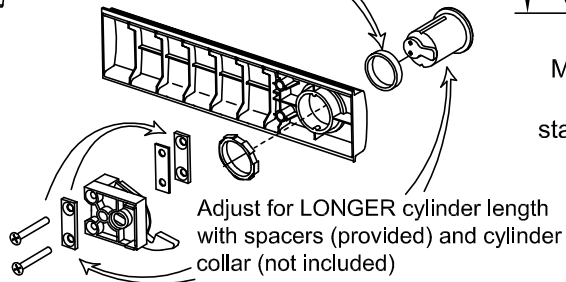
For further Cut-Down information, see:  
[www.detex.com/cutdown](http://www.detex.com/cutdown)

## MORTISE CYLINDER INSTALLATION (if required)



Slide / remove the fillerplate subassembly

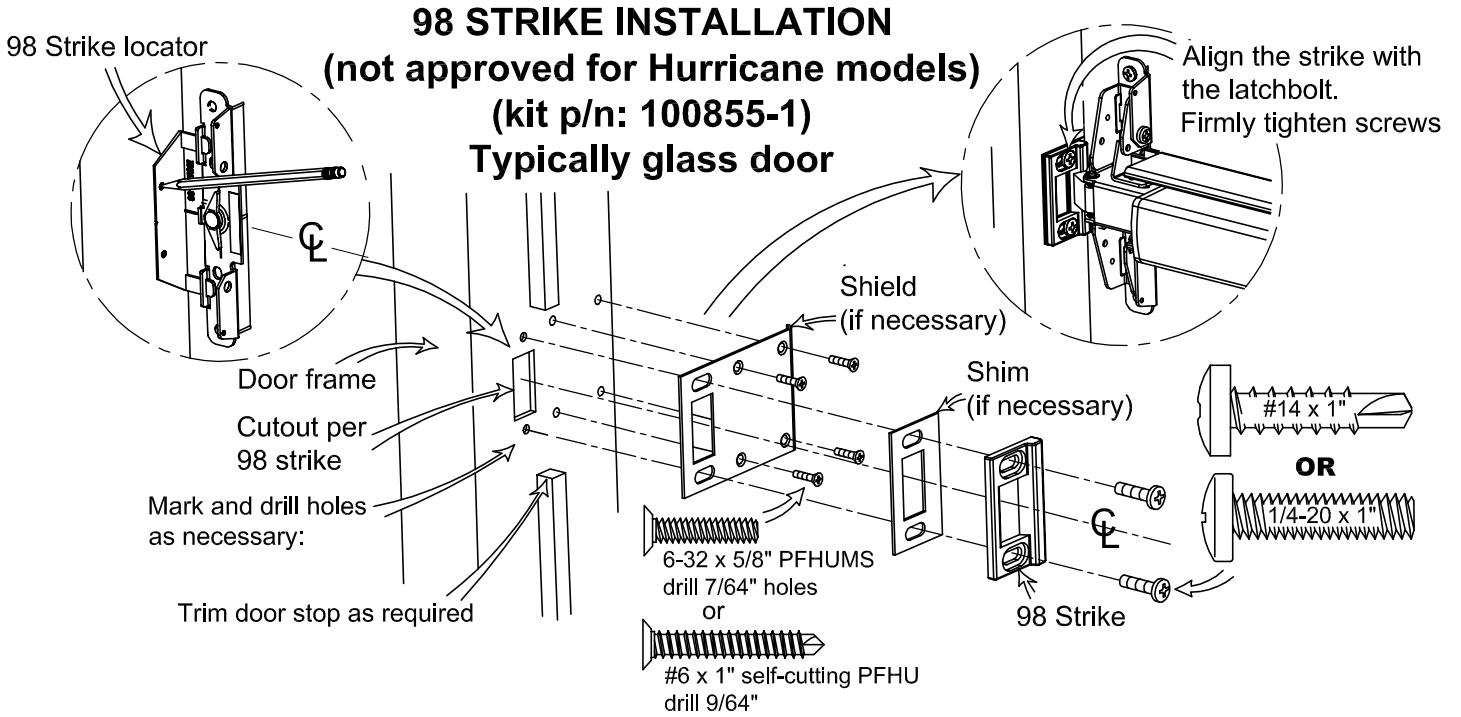
1/4" collar (not supplied) required for 7 pin cylinder. (Detex p/n: ECL-1595)



Mortise Cylinder with standard Yale cam required

- (1) All cylinder spacers must be used.
- (2) Turn key max CCW before installing slide in fillerplate.
- (3) Reinstall fillerplate subassembly

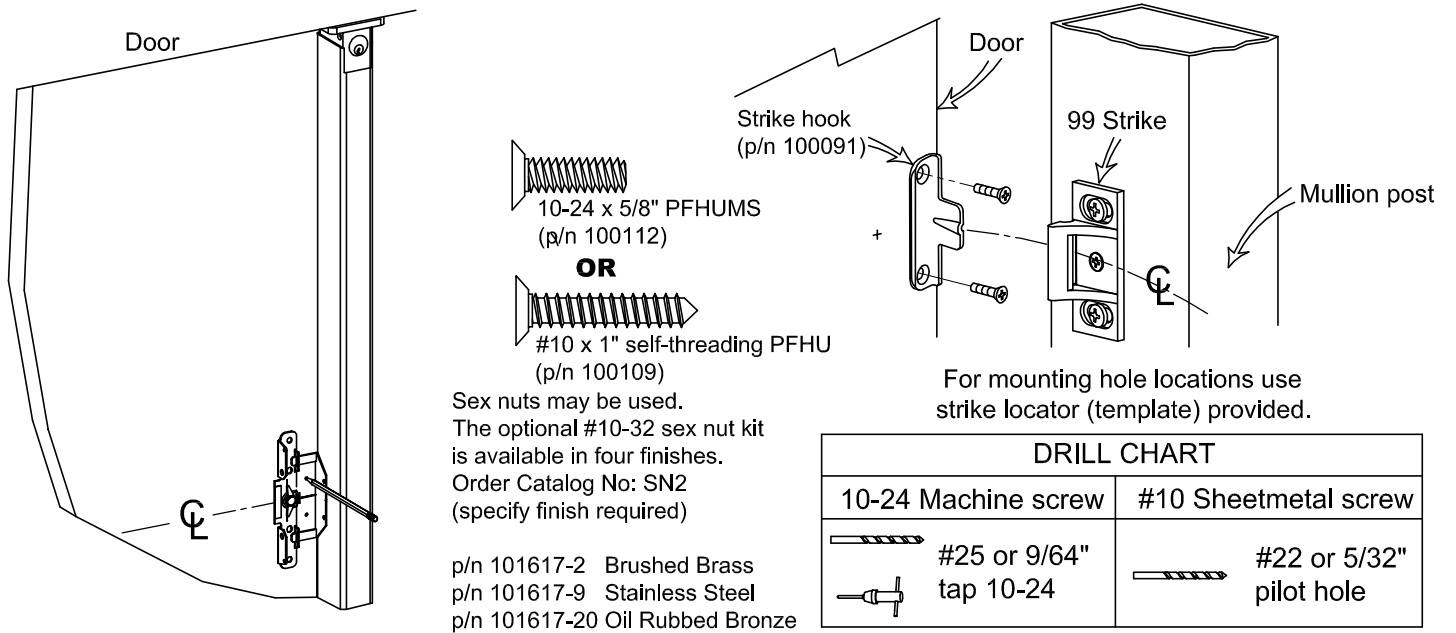




## STRIKE HOOK INSTALLATION

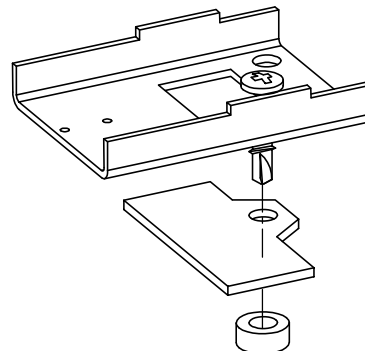
Strike Hook Kit p/n 101795

(Caution: This installation is required on fire rated door openings with removable mullion.)

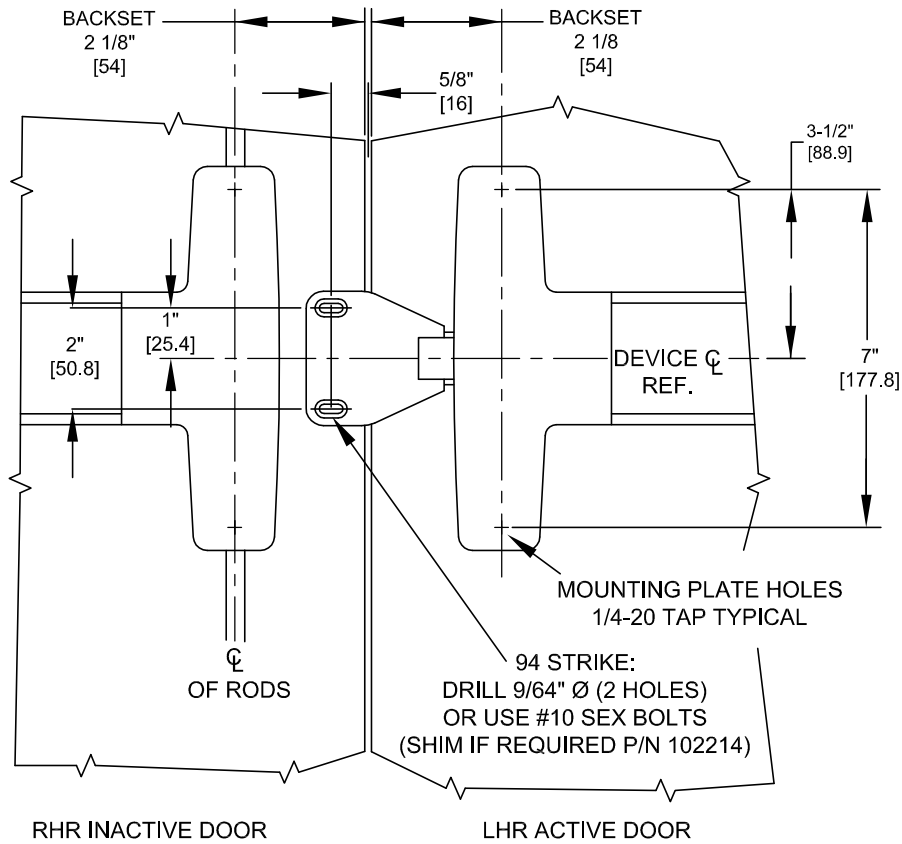


## Narrow Stile Endcap Mounting Plate Fascia (p/n 101864) (For use on Glass Doors)

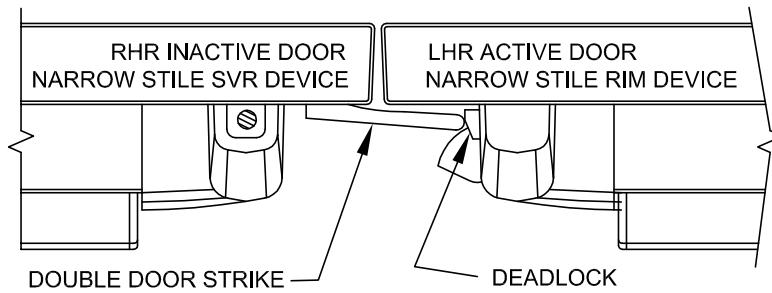
- a. Remove the endcap mounting bracket.
- b. Remove nylon spacer.
- c. Slide fascia onto screw.
- d. Reinstall nylon spacer.
- e. Reinstall endcap mounting bracket.



**94 DOUBLE DOOR STRIKE INSTALLATION**  
**(not approved for Hurricane models)**  
**(if required)**



NOTE: FOR DEVICE FUNCTION AND OTHER DIMENSIONS, SEE APPROPRIATE DEVICE AND/OR TRIM INSTRUCTIONS

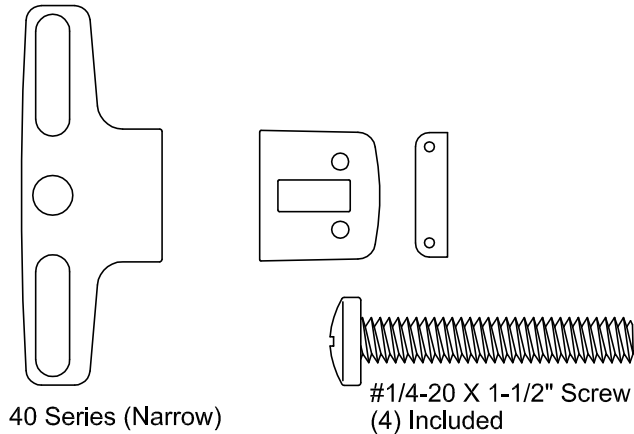


THE DEVICE USED ON THE ACTIVE DOOR SHOULD BE INSTALLED SO THAT THE STRIKE WILL DEPRESS THE DEADLOCK SUFFICIENTLY TO ALLOW FOR ANY AND ALL ALARM / ELECTRONIC FUNCTIONS. ADD SHIM (P/N 102214) AS REQUIRED. TWO PROVIDED IN KIT. THE INACTIVE DOOR SHOULD CLOSE FIRST.

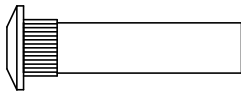
## Optional Accessories

### Glass Bead Kit

Catalog No: GB2 - Glass Bead Kit, 40 series  
p/n: 101644



### Sex Nut



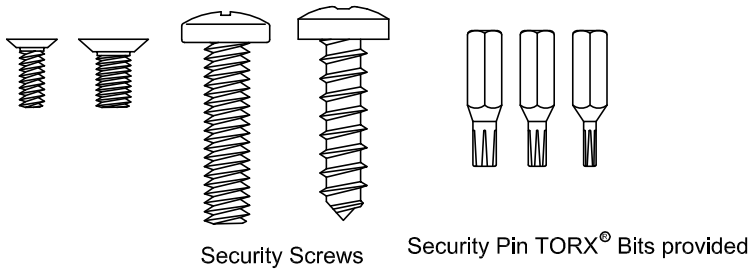
The #1/4-20 kit is available in (4) finishes:

- Catalog No: SN1 Brushed Brass BHMA 606 Finish
- Catalog No: SN1 Oil Rubbed Bronze BHMA 613 Finish
- Catalog No: SN1 Brushed Chrome BHMA 626 Finish
- Catalog No: SN1 Stainless Steel BHMA 630 Finish

p/n: 101616-X

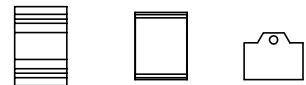
### Tamper Kit

(Security Kit)  
Catalog No: SSK3  
p/n: 101233



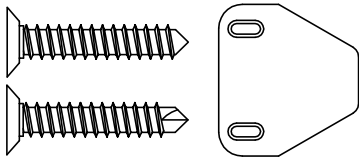
### Narrow Stile Door Kit

(Splice Kit may be used with either 3-0 or 4-0 units)  
Catalog No: NSK1  
p/n: 101879-1 (628 Finish, Clear)  
p/n: 101189-2 (711 Finish, Black)  
(includes 98 Strike)



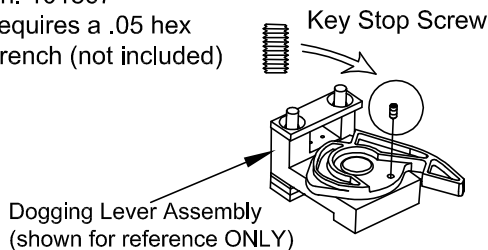
### Double Door Strike Kit

Catalog No: 94 (with Security screws)  
p/n: 102212-1



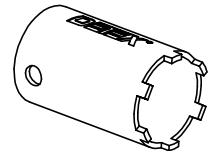
### Key Stop Kit

Catalog No: KS  
p/n: 101867  
Requires a .05 hex wrench (not included)



### Cylinder nut socket kit

p/n: 103779



The following Models in the series were evaluated by UL: Controlled Exit Panic Devices; Model 10 and 40. These devices may be suffixed with 01, 02, 03, 08, 09, or 14 followed by C, CN, D, DN, DT, DNT, DU, DNU, P, PN, W or WS, followed by BP1, BP2, BP3, BP5, BP6, BP7 or BP8 followed by 605, 606, 611, 612, 613, 625, 626, 628, 629, 630, 693, 695 or 711 followed by the RHR or LHR, followed by EA, which may be followed by LD or CD, followed by 605, 606, 611, 612, 613, 625, 626, 628, 629, 630, 693, 695 or 711 followed by 98 or 99, followed by 36 or 48.