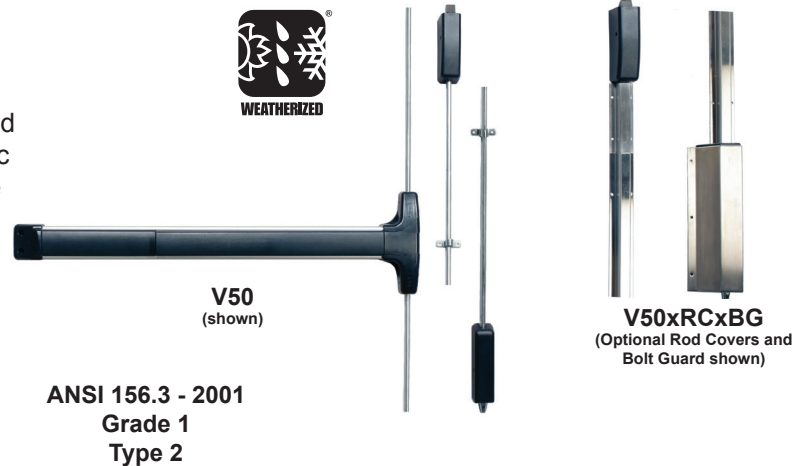


# VALUE SERIES®

## V50xW/V51xW SERIES

### Weatherized Surface Vertical Rod Device

The **Weatherized V50 Series, surface vertical rod exit device** and **V51 Series, top rod exit device** are heavy-duty **panic and fire exit hardware** for use on all types of double doors without a mullion. The patented mounting plate and strike locator system ensures the easiest and most accurate installation in an economical panic device. In addition to listing as UL panic and fire exit hardware device, this device conforms to UL1034-34 Temperature Section 34, UL1034-54 Dust Section 54, MIL-STD 810F, Method 506.4 (driving rain test); MIL-STD 810F, Method 509.4 (salt fog test) and UBC standard 7-2 (positive pressure).



#### Benefits

- Priced to be the best value for durable, attractive panic hardware
- Patented mounting plate and strike locator replaces paper templates
- Minimal door prep saves time and money
- Angled end cap deflects damage away from device
- Fits any door in almost any décor
- Outside trims are easily changed or rekeyed without removing device from door
- Fast and easy installation saves time and money

#### Features

- Stainless steel 3/4" deadlocking top latch bolt
- Bottom drop bolt, 5/8" dia. x 5-5/8" long secures into strike plate
- Handed, field reversible
- Field sizable
- 1/8 turn dogging
- Ribbed aluminum rail extrusion
- Impact resistant ABS and anodized surfaces
- Modular design accepts a variety of outside trims and functions
- Standard and narrow stile pull trims available

#### Mechanical Options

- H - Hurricane Rated
- F - 3-Hour Fire Rated
- HD - Hex Dogging (Std.)
- CD - Cylinder Dogging
- LD - Less Dogging
- 36 - Fits 36" Door Width (Std.)
- 48 - Fits 48" Door Width
- For Narrow Stile that fits 2" Narrow Stile glass door see V50xNS/ V51xNS catalog page
- 84 - Fits 7' Door Height (Std.)
- 96 - Fits 8' Door Height
- 120 - Fits 10' Door Height
- RC - Rod Covers (630 Brushed Stainless)
- BG - Bottom bolt and 12" ADA ramped cover (630 Brushed Stainless)
- 96 Surface top stike top (Std.)
- 96B Bottom dust proof strike
- Available with 628 aluminum base rail extrusion
- Available with 711 black base rail extrusion
- FC3W - Weatherized 3' Flex Conduit Kit, mounts to device end cap
- FC10W - Weatherized 10' Flex Conduit Kit, mounts to device end cap

For full list of available mechanical options, see V50 Series How To Order page

## Electrical Options

- EB W - Exit Alarm 9V Battery Weatherized
- EX W - Request to Exit Weatherized

- EXV W - Request to Exit Weatherized High Current/Voltage

Refer to Electrified Options section for more information

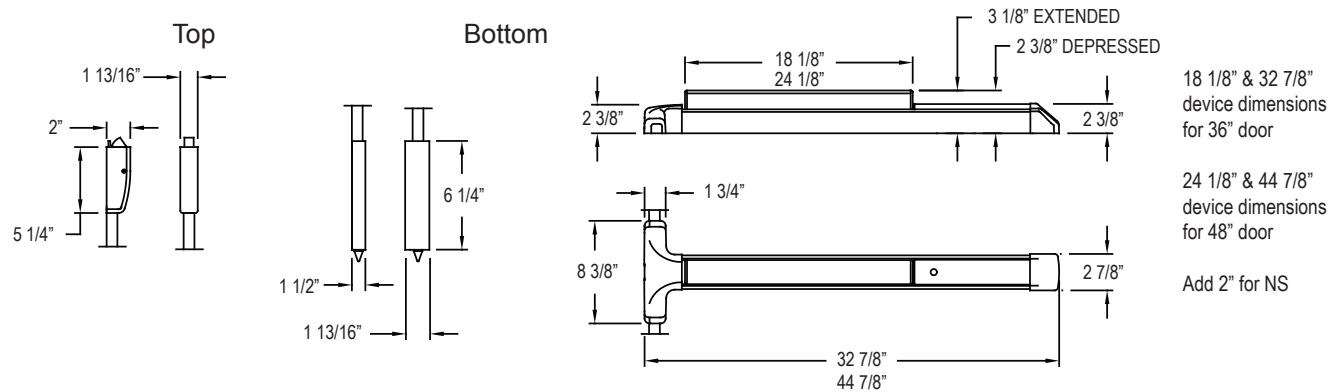
## Accessories

- Outside Trim (see Value Series Trim Options)
- SN1 - Sex Nut Kit (2 per package)
- GB# - Glass Bead Kits
- NSK - Narrow Kit for 2" narrow stile glass door applications

## Technical Information

- Door Stile - Fits 3-1/2" stile doors (Std.)
- Door Stile - Fits 2" narrow stile doors - specify NS
- Fasteners - Machine and Self-Drilling Screws standard

## Dimensions



## Listings and Approvals



UL Listed Panic Hardware



Meets ADA requirements



UL Listed Fire Exit Hardware for 3 hours, maximum 4'x10' single doors and 8'x10' pairs of doors



UBC 97, Standard 7-2 and UL 10B/UL10C for positive pressure

UL1034-34 Temperature Section 34 [Temperature Range -31° F (-35° C) to 150° F (+66° C)]



California State Fire Marshal

UL1034-54 Dust Section 54



ANSI/BHMA certified A156.3



State of Florida Approval



Meets NFPA 80 & 101 for Life Safety

Texas Department of Insurance

MIL-STD 810F (G), Method 509.4 (Salt Fog Test)

MIL-STD 810F (G), Method 506.4 (Driving Rain), Procedure 1

## Detex Limited Warranty

10 Year Mechanical/3 year Electrical Limited Manufacturer's Warranty

Where Trust is Built™  
**DETEx**®  
 Life Safety, Security and Security Assurance

For detailed windstorm and fire listings, visit [www.detex.com/PROVEN](http://www.detex.com/PROVEN)

Detex Corporation  
 302 Detex Drive  
 New Braunfels, Texas 78130-3045 USA  
 PH. (830) 629-2900  
 (800) 729-3839  
 FAX (800) 653-3839  
<http://www.detex.com>  
 USA Sales:  
[marketing@detex.com](mailto:marketing@detex.com)  
 International Sales:  
[export@detex.com](mailto:export@detex.com)

⚠ Cancer & Reproductive Harm - [www.detex.com/prop65](http://www.detex.com/prop65)