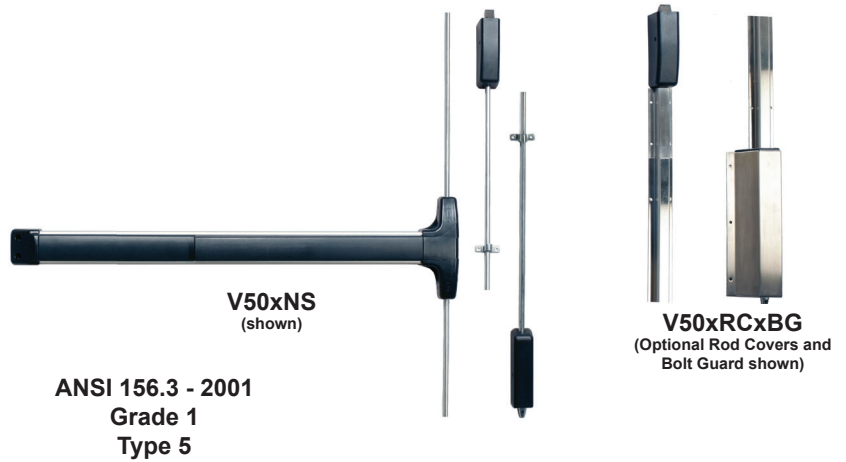


VALUE SERIES®

V50xNS / V51xNS

Narrow Stile Surface Vertical Rod Device

The **V50xNS Series**, narrow stile surface vertical rod exit device and **V51xNS Series**, narrow stile top rod exit device are economical **panic and fire exit hardware** for use on narrow stile double doors without a mullion. The patented mounting plate and strike locator system ensures the easiest and most accurate installation in an economical panic device.



Benefits

- Priced to be the best value for durable, attractive panic hardware
- Fast and easy installation saves time and money
- Minimal door prep saves time and money
- Fits any door in almost any décor
- Patented mounting plate and strike locator replaces paper templates
- Outside trims are easily changed or rekeyed without removing device from door
- Angled end cap deflects damage away from device

Features

- Stainless steel 3/4" deadlocking top latch bolt
- Ribbed aluminum rail extrusion
- Impact resistant ABS and anodized surfaces
- Handed, field reversible
- Field sizable
- 1/8 turn dogging
- Standard and narrow stile pull trims available
- Modular design accepts a variety of outside trims and functions
- Bottom drop bolt, 5/8" dia. x 5-5/8" long secures into strike plate

Mechanical Options

- V51 - Top Rod Only
- F - 3-Hour Fire Rated
- HD - Hex Dogging (Std.)
- CD - Cylinder Dogging
- LD - Less Dogging
- 36 - Fits 36" Door Width (Std.)
- 48 - Fits 48" Door Width
- 84 - Fits 7' Door Height (Std.)
- 96 - Fits 8' Door Height
- 120 - Fits 10' Door Height
- RC - Rod Covers (630 Brushed Stainless)
- BG - Bottom bolt and 12" ADA ramped cover (630 Brushed Stainless)
- 96 Surface top stike top (Std.)
- 96B Bottom dust proof strike
- Available with 628 base rail extrusion
- Available with 711 base rail extrusion
- FC3 - Flexible 3' Conduit Kit, mounts to device end cap
- FC10 - Flexible 10' Conduit Kit, mounts to device end cap
- PT5 - Concealed mortise mount power transfer
- EH8 - Five-knuckle energy transfer hinge - 8 wires

For full list of available mechanical options, see V50 Series How To Order page

Electrical Options

- Exit Alarm (EA)
 - Electric Battery Alarm (EB)
 - Electric Dogging (ED)
 - Delayed Egress (EE)
 - Electric Latch Retraction with Request to Exit Switch (ER EX)
- Refer to Electrified Options section for more information

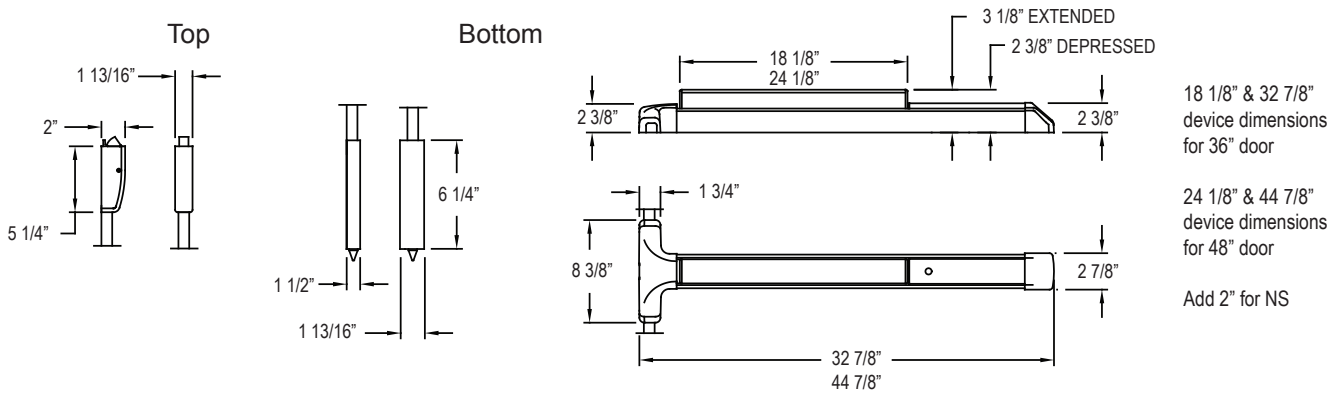
Accessories

- Outside Trim (see Value Series Trim Options)
- SN1 - Sex Nut Kit (2 per package)
- GB# - Glass Bead Kits

Technical Information

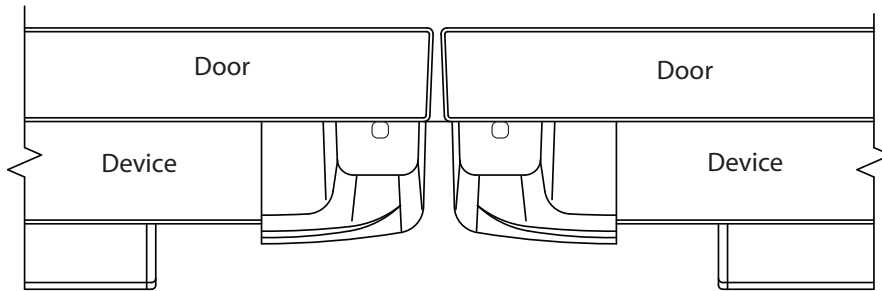
- Door Stile - Fits 3-1/2" stile doors (Std.)
- Door Stile - Fits 2" narrow stile doors - specify NS
- Fasteners - Machine and Self-Drilling Screws standard

Dimensions



Detex Limited Warranty

10 Year Mechanical/3 year Electrical Limited Manufacturer's Warranty



Listings and Approvals



UL Listed Panic Hardware



UBC 97, Standard 7-2 and UL10B/UL10C for positive pressure



UL Listed Fire Exit Hardware for 3 hours, maximum 4'x10' single doors and 8'x10' pairs of doors



Meets NFPA 80 & 101 for Life Safety



Meets ADA requirements



State of Florida Approval



ANSI/BHMA certified A156.3

Texas Department of Insurance



California State Fire Marshal



For detailed windstorm and fire listings, visit www.detex.com/PROVEN

Detex Corporation
 302 Detex Drive
 New Braunfels, Texas 78130-3045 USA
 PH. (830) 629-2900
 (800) 729-3839
 FAX (800) 653-3839
<http://www.detex.com>
 USA Sales:
marketing@detex.com
 International Sales:
export@detex.com

Cancer & Reproductive Harm - www.detex.com/prop65