

DCR8000 SERIES
Surface Mounted
 Door Closer
 Non Hold-Open
 Standard:Back Check
 Power adjustable 1-4

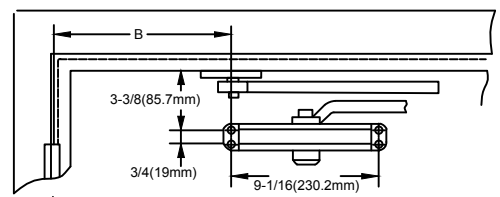
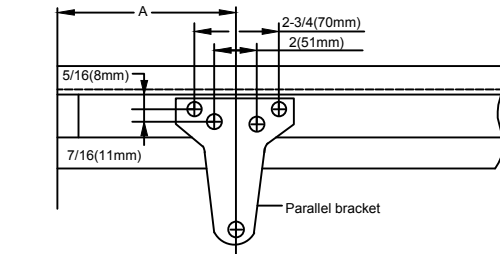


DCR8000 SERIES
Surface Mounted
 Door Closer
 Non Hold-Open
 Standard:Back Check
 Power adjustable 1-4

Installation Instructions for PARALLEL ARM (PUSH SIDE) Mounting

THIS TEMPLATE COVERS PARALLEL ARM INSTALLATIONS TO 180° OPENINGS.

Parallel bracket accessory required and is included.



Hinge or Pivot

- Left hand door shown
- Right hand door opposite
- Dimensions are in inches
- Do not scale drawing

OPENING	DIM.A SIZE : 4 & 5	DIM.B SIZE : 4 & 5
To 120°	10 7/8 (277.8mm)	6 15/16 (176.2mm)
120°-180°	8 3/4 (222.2mm)	4 3/4 (120.6mm)

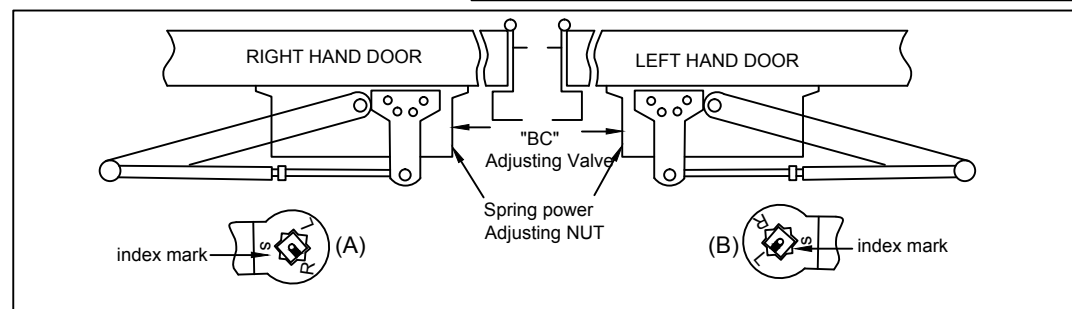
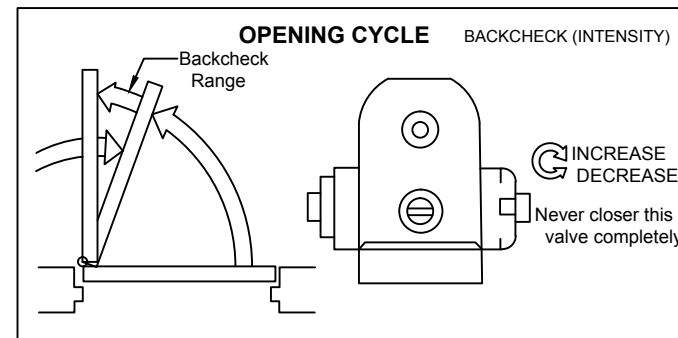
INSTALLATION INSTRUCTIONS

1. Select door opening angle and use dimensions shown above, mark four (4) holes on door for door closer and three(3) holes underside of frame for parallel of bracket.
2. Drill pilot holes in door and frame to #14 all-purpose screws or drill and tap for 1/4-20 machine screws.
3. Mount closer on door using screws provided. SPEED adjusting valve must be positioned away from hinge edge
4. Install parallel Arm Bracket to frame using screws provided
5. Using a wrench on the square shaft at bottom of closer, rotate shaft approximately 45 degree toward hinge of door. Hold and place main arm of shaft on top of closer at proper index mark as illustrated
 FOR LEFT HAND DOOR "L"(illustration "A"). FOR RIGHT HAND DOOR "L"(illustration "B"). Tighten arm screw with lockwasher securely.
6. Remove arm shoe from fore arm and discard. Install ROD end of forearm to bracket using screw/washer assembly provided.
7. Adjust length of adjustable forearm so that adjustable forearm is parallel to frame.
8. Adjust closing speed of door following instructions as shown Page 1

OPENING CYCLE

NOTE: These instructions apply only to closers equipped with backcheck

To increase backcheck intensity, turn valve marked "BC" clockwise.
 To decrease backcheck intensity, turn valve marked "BC" counter-clockwise.



* ADJUST SPRING TENSION ACCORDING TO THE FOLLOWING CHART

MODEL	DOOR WEIGHT LBS (KGS)	SIZE	FULL TURNS ADJUST
DCR8000	-55 (- 25)	1	-8
	55-99 (25-45.5)	2	-4
	99-143 (45-65)	3	0
	143-187 (65-85)	4	5



* NOTE: FACTORY PRESET SIZE 3
 MAX. 13 FULL TURNS FROM MIN. SETTING.

INSTALLATION INSTRUCTIONS

Regular Arm installation	Top Jamb Installation	Parallel Arm Installation
Closer installs on PULL/HINGE side of door	Closer Installs on Frame on PUSH/STOP side of door.	Closer installs on PUSH/STOP side of door.
Non Hold Open Arm Left Hand Door-RH or Right Hand Reverse -RHR See Page 2	Non Hold Open Arm Left Hand Door-RH or Right Hand Reverse -RHR See Page 3	Non Hold Open Arm Left Hand Door-RH or Right Hand Reverse -RHR See Page 4

CLOSER ADJUSTMENT

CLOSING CYCLE

NOTE : Closing arcs("CLOSE"and"LATCH")are controlled by two(2)separate speed adjusting valves. Adjust the CLOSING speed first and then adjust the LATCHING speed.

1. "CLOSING"speed adjustment is accomplished by full rotations of the speed adjusting valve.
 -Turn the speed adjusting valve CLOCKWISE for a SLOWER CLOSE arc closing speed.
 -Turn the speed adjusting valve COUNTER-CLOCKWISE for a FASTER CLOSE arc closing speed.
2. "LATCH" speed adjustment accomplished by full rotations of the speed adjusting valve.
 -Turn the speed adjusting screw CLOCKWISE for a SLOWER latch are closing speed.
 -Turn the speed adjusting screw COUNTER-CLOCKWISE for a FASTER Latch arc closing speed.

CAUTION!! Do not turn speed adjusting valve more than two(2) full turns counter-clockwise from its factory set position, as two speed adjusting valves could dislodge from the door closer body, resulting in the loss of internal fluid and failure of the device.

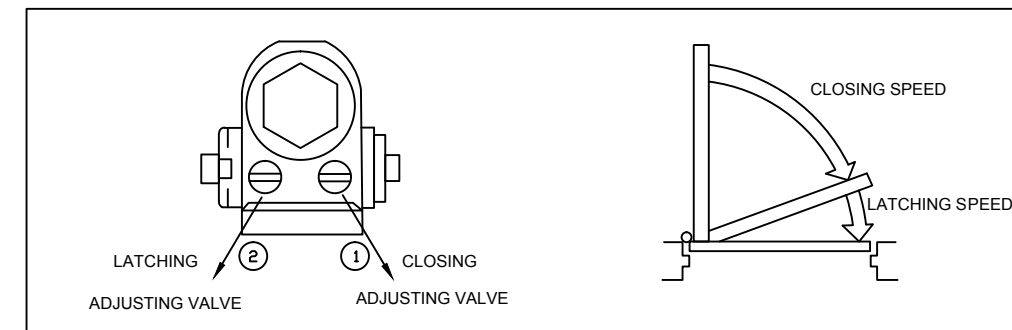
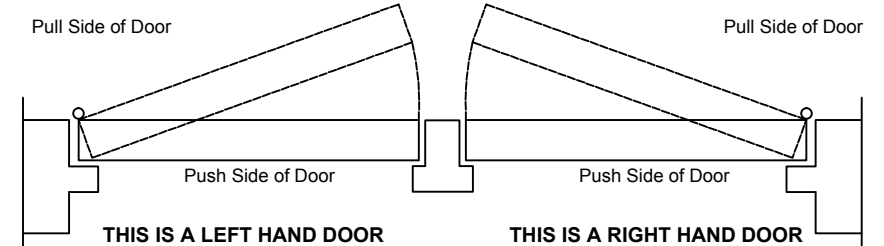


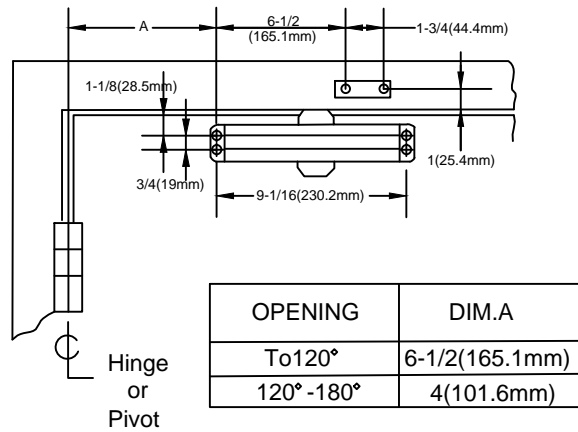
CHART TO DETERMINE HAND OF DOOR



DCR8000 SERIES
Surface Mounted
 Door Closer
 Non Hold-Open
 Standard:Back Check
 Power adjustable 1-4

Installation Instructions for REGULAR ARM (PULL SIDE) Mounting

THIS TEMPLATE COVERS REGULAR ARM INSTALLATIONS TO 180° OPENINGS.



OPENING	DIM. A
To 120°	6-1/2(165.1mm)
120° -180°	4(101.6mm)

- Right hand door shown
- left hand door opposite
- Dimensions are in inches
- Do not scale drawing

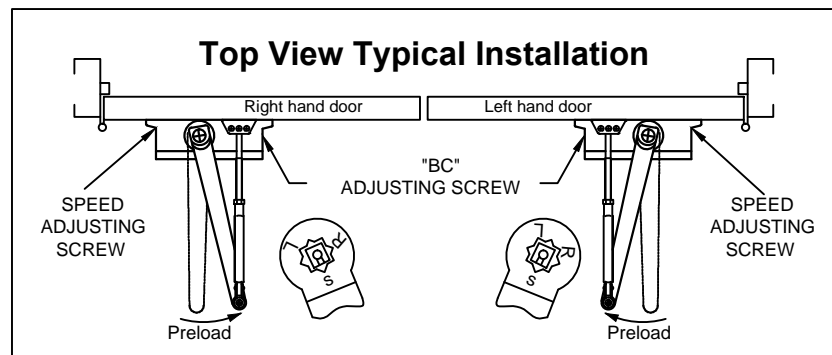
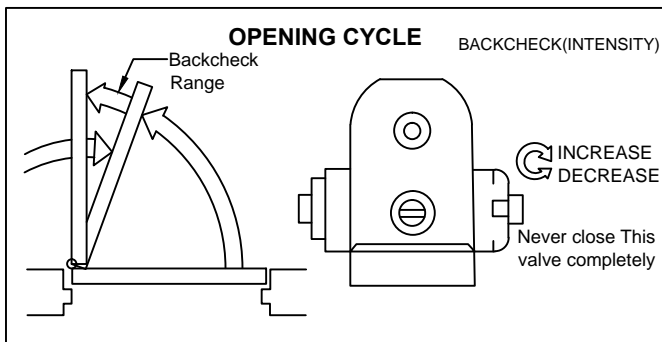
INSTALLATION INSTRUCTIONS

1. Select door opening angle and use dimensions shown above, mark four (4) holes on door for door closer and two (2) holes on frame for arm shoe.
2. Drill pilot holes in door and frame for #14 all-purpose screws or drill and tap for 1/4-20 machine screws.
3. Install forearm/arm shoe assembly to door using screws provided.
4. Mount closer on door using screws provided. SPEED ADJUSTING VALVE MUST BE POSITIONED TOWARD HINGE EDGE
5. Install main arm to top pinion shaft, perpendicular to door as shown below. Secure tightly with arm screw/washer assembly provided.
6. Adjust length of forearm so that forearm is perpendicular to frame when assembled to preloaded main arm (Illustration below). Secure forearm to main arm with screw/washer assembly provided.
7. Snap pinion cap over shaft at bottom of closer.
8. Adjust closing speed of door, following instructions as shown page 1.

OPENING CYCLE

NOTE: these instructions apply only to closers equipped with backcheck

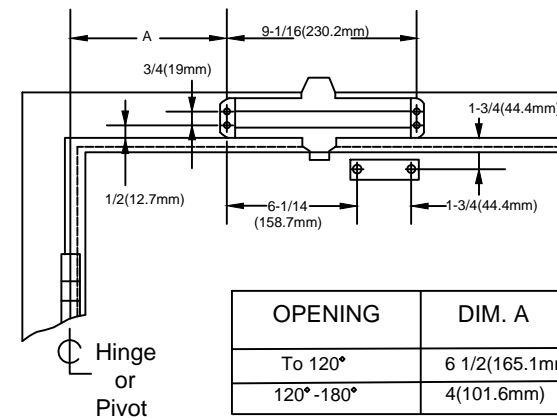
- To increase backcheck intensity, turn valve marked "BC" clockwise.
- To decrease backcheck intensity, turn valve marked "BC" counter-clockwise.



DCR8000 SERIES
Surface Mounted
 Door Closer
 Non Hold-Open
 Standard:Back Check
 Power adjustable 1-4

Installation Instructions for TOP JAMB (PUSH SIDE) Mounting

THIS TEMPLATE COVERS TOP JAMB INSTALLATIONS TO 180° OPENINGS.



OPENING	DIM. A
To 120°	6 1/2(165.1mm)
120° -180°	4(101.6mm)

- Left hand door shown
- Right hand door opposite
- Dimensions are in inches
- Do not scale drawing

INSTALLATION INSTRUCTIONS

1. Select door opening angle and use dimensions shown above, mark four (4) holes on frame for door closer and two (2) holes on door of arm shoe.
2. Drill pilot holes in door and frame for #14 all-purpose screws or drill and tap for 1/4-20 machine screws
3. Install forearm/arm shoe assembly to door using screws provided.
4. Mount closer on frame using screws provided SPEED ADJUSTING VALVE MUST BE POSITIONED TOWARD HINGE EDGE
5. Install main arm to top pinion shaft, perpendicular to door as shown below. Secure tightly with arm screw/washer assembly provided.
6. Adjust length of forearm so that forearm is perpendicular to frame when assembled to preloaded main arm (Illustration below). Secure forearm to main arm with screw/washer assembly provided.
7. Snap pinion cap over shaft at bottom of closer.
8. Adjust closing speed of door, following instructions: as shown Page1.

OPENING CYCLE

NOTE: These instructions apply only to closers equipped with backcheck

- To increase backcheck intensity, turn valve marked "BC" clockwise.
- To decrease backcheck intensity, turn valve marked "BC" counter-clockwise.

