

DOOR BOTTOM ORDER FORM

ORDER DATE:

CUSTOMER NAME:

CUSTOMER P.O. #:

CUSTOMER CONTACT:

MFG & MODEL:

LH/RHR - A500:

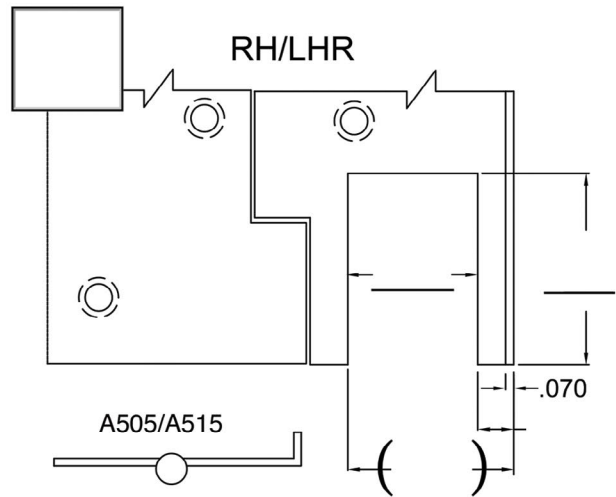
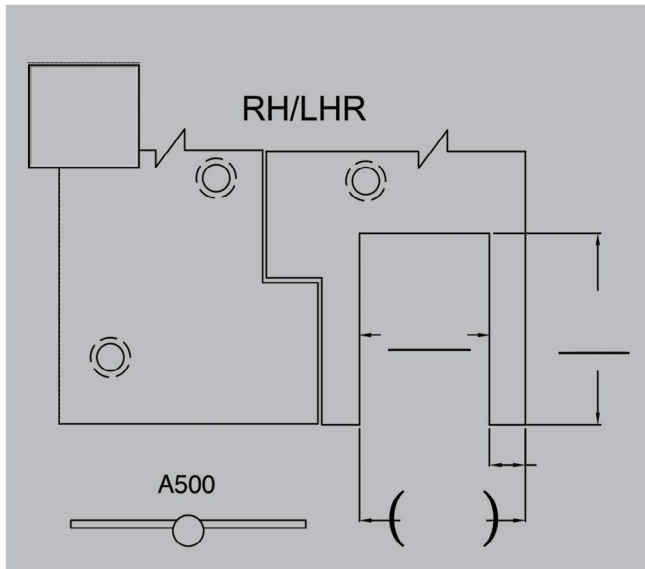
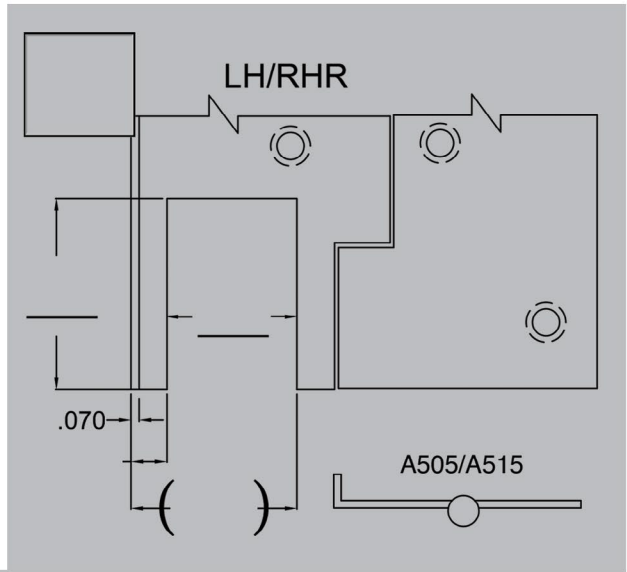
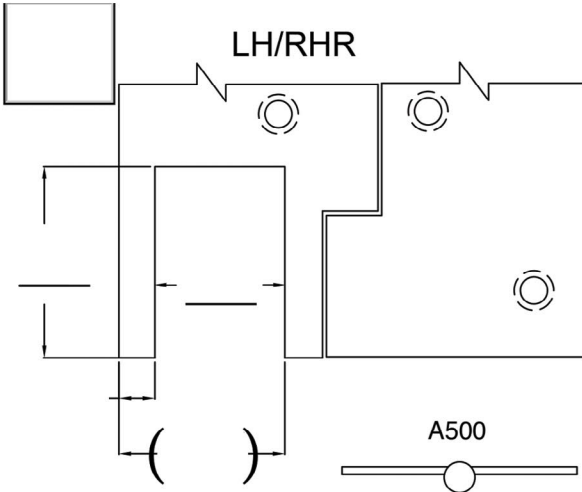
LH/RHR - A505/A515:

RH/LHR - A500:

RH/RHR - A505/A515:

DOOR SIZE:

QUANTITY:



ABH[®]
MANUFACTURING INC.

www.abhmfg.com

Architectural Builders Hardware Mfg., Inc.

1222 Ardmore Ave., Itasca, IL 60143

630-875-9900 • FAX 800-9FAXABH (932-9224)

- Download File from Website
- Fill out form
- SUBMIT