

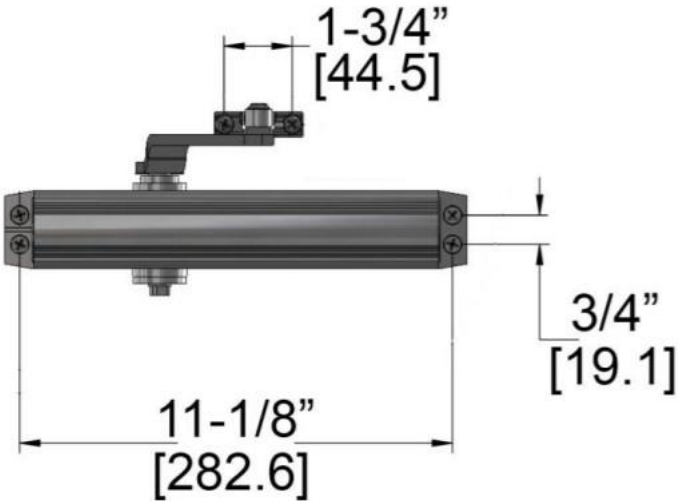



Door Closer Guide

Existing Closer Dimension	Corresponding PDQ Closer	Cross Reference
	<p>PDQ 3100 Door Closer</p> <p>Click Here To View Product</p>	<p>Cal Royal 300</p> <p>Dorma 3800</p> <p>Dor-O-Matic SC60</p> <p>Hager 5300 LESS COVER</p> <p>Stanley Commercial QDC300</p> <p>LCN 1260</p> <p>Norton 1600</p> <p>Sargent 1130</p> <p>Stanley D-1650</p> <p>Yale 50</p>

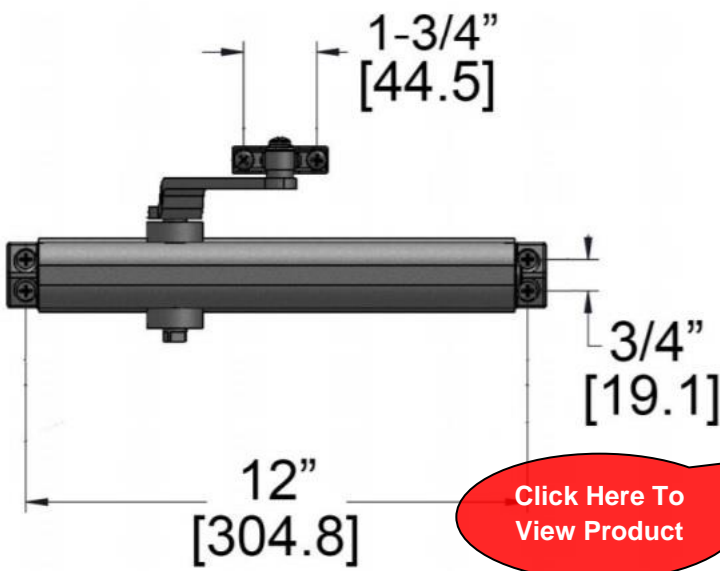

HOW TO ORDER

SERIES	SIZE	BACKCHECK	ARM TYPES	FINISH	ACCESSORIES
31	<p>00</p> <p>00 – Adjustable Size 3-6</p> <p>01</p> <p>01 – Adjustable Size BF - 4</p>	<p>BC</p> <p>BC – Adjustable Hydraulic Backcheck</p>	<p>PA</p> <p>DS – Door Saver Arm</p> <p>DSHO – Door Saver Hold Open Arm</p> <p>HO – Hold Open, Tri-Pack</p> <p>PA – Tri-Pack (standard)</p> <p>RA – Regular Arm</p> <p>SCS – Spring Cushion Stop</p> <p>SCSHO – Spring Cushion Stop Hold open</p> <p>TA – Track Arm</p> <p>TAHO – Track Arm Hold Open</p>	<p>689</p> <p>689 – Aluminum</p> <p>695 – Duro Bronze</p> <p>696 – Gold</p>	<p>-</p> <p>BP – Back Plate</p> <p>BS – Blade Stop Spacer</p> <p>DP – Drop Plate</p> <p>NFB – Narrow Frame Bracket</p> <p>SDST – Self Drilling Self Tapping Screws</p>

Existing Closer Dimension	Corresponding PDQ Closer	Cross Reference
 <p>1-3/4" [44.5]</p> <p>3/4" [19.1]</p> <p>11-1/8" [282.6]</p>	 <p>PDQ 5100 Door Closer</p> <p>Click Here To View Product</p>	<p>Cal Royal 900 Dorma 7414/7436 Dor-O-Matic SC60/SC61 LCN 1370 Norton 160 Sargent 1130/1131 Yale 51</p>

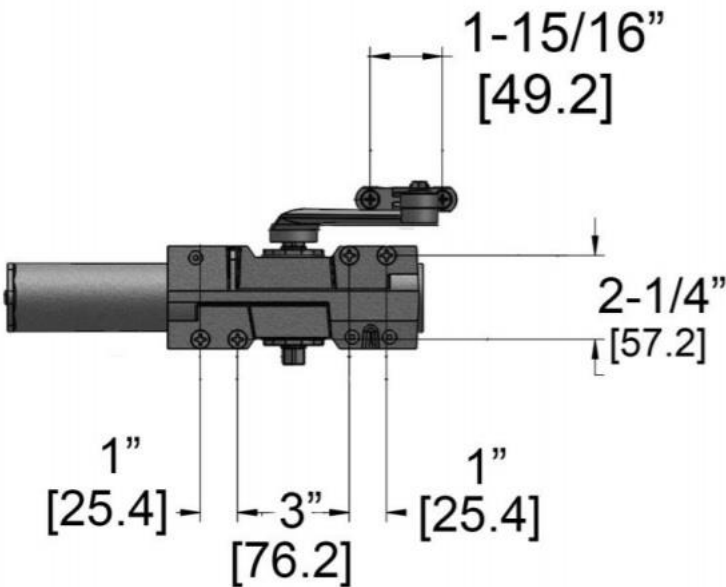

HOW TO ORDER

SERIES	SIZE	BACKCHECK	ARM TYPES	FINISH	ACCESSORIES
<p>51</p>	<p>01</p> <p>01 – Non Delayed Action 41 – Delayed Action (In Addition To Backcheck)</p>	<p>BC</p> <p>BC – Adjustable Hydraulic Backcheck</p>	<p>PA</p> <p>DS – Door Saver Arm DSHO – Door Saver Hold Open Arm EDA – Extra Duty Arm EDA HO – Extra Duty Arm Hold Open HO – Hold Open, Tri-Pack PA – Tri-Pack (standard) RA – Regular Arm SCS – Spring Cushion Stop SCSHO – Spring Cushion Stop Hold open TA – Track Arm TAHO – Track Arm Hold Open DA – Delayed Action</p>	<p>689</p> <p>605 – Polished Brass 625 – Satin Chrome 689 – Aluminum 695 – Duro Bronze 696 – Gold</p>	<p>-</p> <p>BP – Back Plate BS – Blade Stop Spacer DPPA – Parallel Arm Drop Plate DPTJ – Top Jamb Drop Plate FCM – Full Metal Cover specify hand NFB – Narrow Frame Bracket SDST – Self Drilling Self Tapping Screws</p>

Existing Closer Dimension	Corresponding PDQ Closer	Cross Reference
 <p>1-3/4" [44.5]</p> <p>3/4" [19.1]</p> <p>12" [304.8]</p> <p>Click Here To View Product</p>	 <p>PDQ 5300 Door Closer</p> <p>PDQ 5500 Door Closer</p> <p><i>Note: The 5300 has a slim cover, while the 5500 has a wide cover.</i></p>	<p>Cal Royal CR801S</p> <p>Corbin/Ruswin DC3200</p> <p>Dorma 8616</p> <p>Dor-O-Matic SC80</p> <p>Hager 5200</p> <p>Stanley Commercial QDC200S</p> <p>LCN 1460/1461</p> <p>Norton 8300</p> <p>Sargent 1430</p> <p>Yale 3300</p>

HOW TO ORDER

SERIES	SIZE	BACKCHECK	ARM TYPES	FINISH	ACCESSORIES
<p>53 – Slim Cover</p> <p>55 – Full Cover</p>	<p>01 – Non Delayed Action</p> <p>41 – Delayed Action (In Addition To Backcheck)</p>	<p>BC – Adjustable Hydraulic Backcheck</p>	<p>PA</p> <p>DS – Door Saver Arm</p> <p>DSHO – Door Saver Hold Open Arm</p> <p>EDA – Extra Duty Arm</p> <p>EDAHO – Extra Duty Arm Hold Open</p> <p>HO – Hold Open, Tri-Pack</p> <p>PA – Tri-Pack (standard)</p> <p>RA – Regular Arm</p> <p>SCS – Spring Cushion Stop</p> <p>SCSHO – Spring Cushion Stop Hold open</p> <p>TA – Track Arm</p> <p>TAHO – Track Arm Hold Open</p> <p>DA – Delayed Action</p>	<p>689</p> <p>605 – Polished Brass</p> <p>625 – Satin Chrome</p> <p>689 – Aluminum</p> <p>695 – Duro Bronze</p> <p>696 – Gold</p>	<p>-</p> <p>BP – Back Plate</p> <p>BS – Blade Stop Spacer</p> <p>DPPA – Parallel Arm Drop Plate</p> <p>DPTJ – Top Jamb Drop Plate</p> <p>NFB – Narrow Frame Bracket</p> <p>SDST – Self Drilling Self Tapping Screws</p>

Existing Closer Dimension	Corresponding PDQ Closer	Cross Reference
 <p>1-15/16" [49.2] 2-1/4" [57.2] 1" [25.4] - 3" [76.2] - 1" [25.4]</p>	 <p>PDQ 7100 Door Closer</p> <p>Click Here To View Product</p>	<p>Cal Royal CR441 Corbin/Ruswin DC8000 Dorma 8900 Dor-O-Matic SC70 Hager 5100 Stanley Commercial QDC100 LCN 4040 Norton 7500 Sargent 281 Stanley D-4550 Yale 5800/4400</p>

HOW TO ORDER

SERIES	SIZE	BACKCHECK	ARM TYPES	FINISH	ACCESSORIES
71	<p>01</p> <p>01 – Non Delayed Action 41 – Delayed Action (In Addition To Backcheck)</p>	<p>BC</p> <p>BC – Adjustable Hydraulic Backcheck</p>	<p>PA</p> <p>DS – Door Saver Arm DSHO – Door Saver Hold Open Arm EDA – Extra Duty Arm EDAHO – Extra Duty Arm Hold Open HO – Hold Open, Tri-Pack PA – Tri-Pack (standard) RA – Regular Arm SCS – Spring Cushion Stop SCSHO – Spring Cushion Stop Hold open TA – Track Arm TAHO – Track Arm Hold Open</p>	<p>689</p> <p>605 – Polished Brass 625 – Satin Chrome 689 – Aluminum 695 – Duro Bronze 696 – Gold</p>	<p>-</p> <p>BP – Back Plate BS – Blade Stop Spacer DPPA – Parallel Arm Drop Plate DPTJ – Top Jamb Drop Plate FCM – Full Metal Cover specify hand NFB – Narrow Frame Bracket SDST – Self Drilling Self Tapping Screws</p>