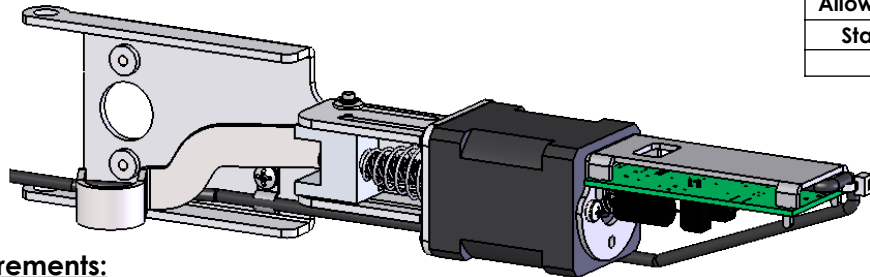


ELECTRIC EXIT DEVICE KIT INSTALLATION INSTRUCTIONS

MOTOR DRIVE ELECTRIC LATCH RETRACTION

1550K-MDX

DOREX 9500 SERIES



Allowable Cutoff From Device Length	
Standard 36"	Standard 48"
6.00"	12.25"

Electrical Input Requirements:

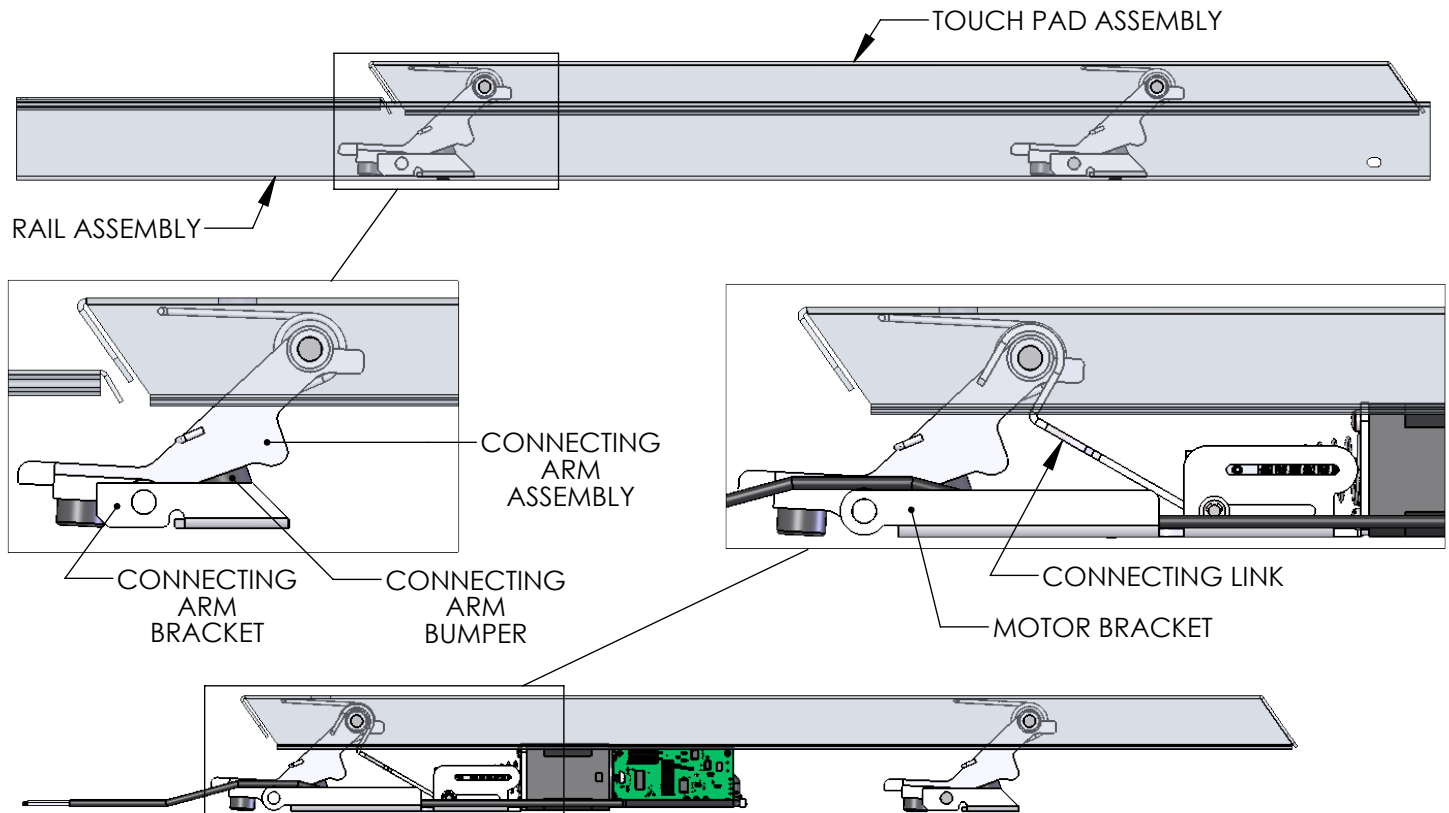
Filtered and Regulated Power Supply
 Voltage: 24VDC \pm 10%
 Current: 1A MAX Inrush, 400mA MAX Holding
 Non-polarized Leads

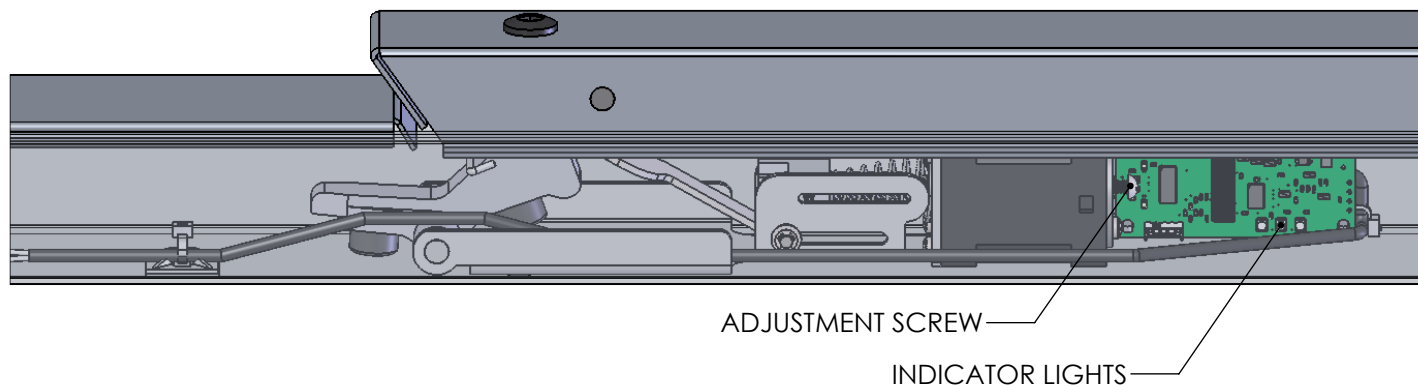
PROVIDES SIMULTANEOUS ELECTRIC LATCH RETRACTION AND DOGGING (TOUCH PAD DEPRESSED)

Installation:

1. Separate the rail assembly from the touch pad assembly.
2. Remove and discard the connecting arm bumper from both the front and rear connecting arm assemblies.
3. Remove and discard the connecting arm bracket from the rear connecting arm assembly.
4. Locate the 1550K-MDX Kit near the rear connecting arm assembly.
5. Attach the connecting link to the rear connecting arm assembly.
6. Attach the motor bracket to the rear connecting arm assembly.

2-Conductor Wire Run	
Distance	Wire Gauge
70'	22
110'	20
180'	18
280'	16
450'	14
720'	12





Installation (Cont.):

9. Route the lead wires over the rear connecting arm assembly.
10. Attach the rail assembly to the touch pad assembly using the device screws for the front connecting arm bracket and the supplied screws for the motor bracket.
11. Secure the lead wires to the inside of the rail assembly using the supplied ty-wrap mount and ty-wrap.
12. Apply the supplied technical assistance labels to the head cover and the end cap.
Do not remove any regulatory labels adhered to the device.

Motor Drive Electric Latch Retraction Adjustment:

1. Verify the device is properly adjusted for mechanical operation. Electric operation should not exceed the mechanical operation or there will be a high risk of damage to the device. **We suggest setting the latch retraction under electric operation at 1/16" less than the latch retraction under mechanical operation.**
2. Locate the adjustment screw in the rear of the motor assembly. Rotate the adjustment screw clockwise to increase the latch retraction or counterclockwise to decrease the latch retraction.

Onboard Indicator Light Assignments:

Maintain input power to the exit device and check the onboard indicator lights.
Remove input power before attempting a solution.

Green (Power)	Yellow (Sensor)	Red (Error)	Indication	Possible Solution
Off	Off	Off	No Power.	Connect the wiring between the power supply and the exit device.
On	On	Off	Normal Operation. The touch pad is retracted to the dogged position and dogged; the latch is retracted by default. The device is allowed 2 attempts.	
On	Off	On	Error in operation. The touch pad did not retract to the dogged position within 2 attempts.	Rotate the adjustment screw counterclockwise to decrease the latch retraction.
On	On	On	Error in operation. Without power being removed, the touch pad went from being dogged to unintentionally being extended, and then the touch pad did not retract to the dogged position within 2 attempts.	Clear the jam condition manually.
On	Blink	On	Error in operation. The touch pad did not extend from the dogged position when the power was last removed. The device will not attempt a retraction.	Clear the jam condition manually.
On	Simultaneous Blink		Error in operation. The input voltage dropped below the specification during operation.	Decrease the wire run or increase the wire gauge.
On	Alternating Blink		Error in operation. An electronics fault was detected.	An electronics replacement is required.