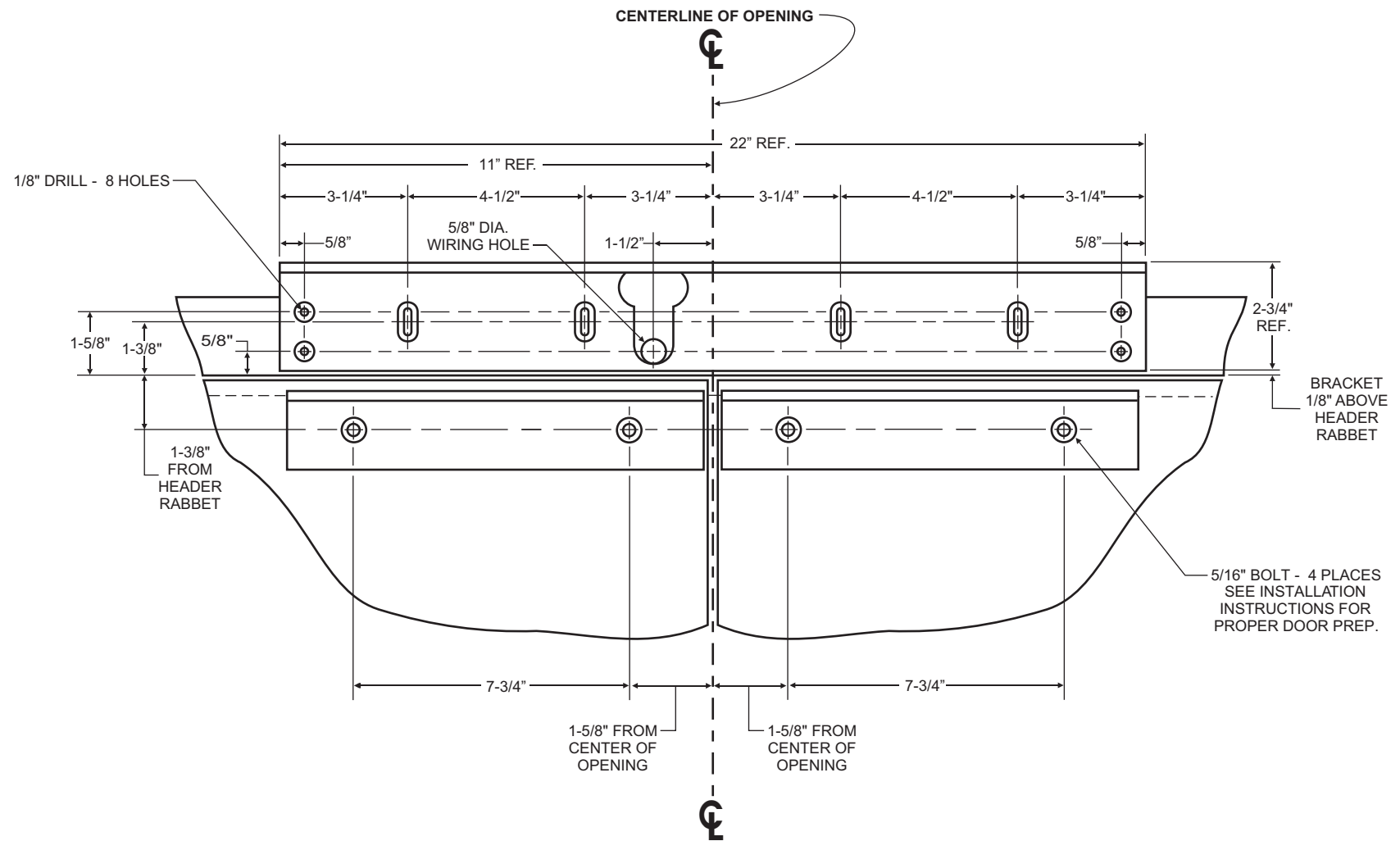
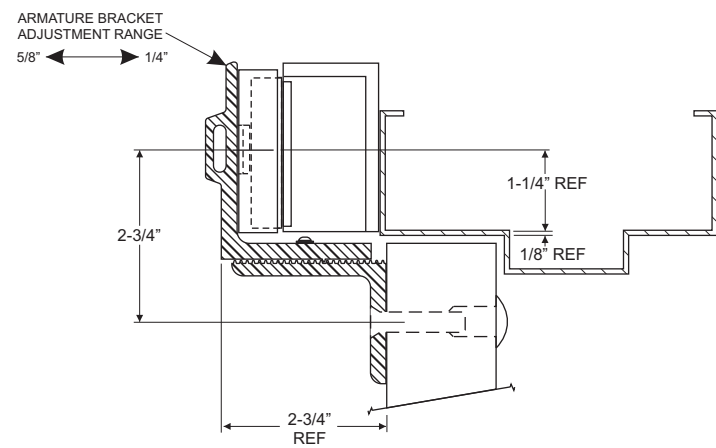
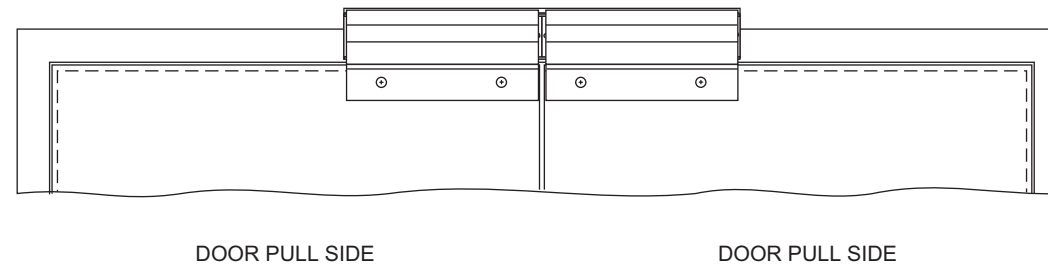


**REVISED TEMPLATE
FOR USE WITH NEW PLASTIC
ARMATURE HOUSINGS ONLY**



NOTE:
ABOVE INFORMATION IS FURNISHED TO IDENTIFY
HOLE LOCATIONS. SEE INSTALLATION INSTRUCTIONS
FOR DOOR AND FRAME PREPARATION.



DynaLock Corporation
705 Emmett Street • Bristol, CT 06010
Tel: (860) 582-4761 • Fax: (860) 585-0338

*Template
Drawing*

DRWN:	MJL	Date:	02/13/07
CHK'D:	JAS	Date:	02/27/07
CHK'D:		Date:	
APPV'D:		Date:	

Title: **2022xTJ22 DOUBLE INSWING
ELECTROMAGNETIC LOCK
TEMPLATE DRAWING**

Page
1 Of 1

Scale:
—

Size: **B**
Drawing #:

301091

REV:
A