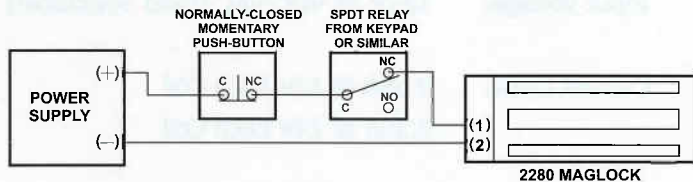
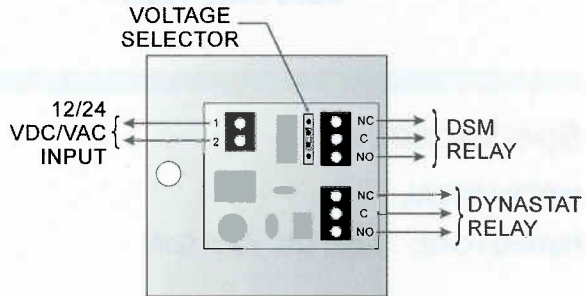


Basic System Wiring

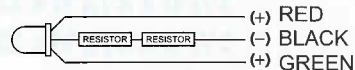
The figure below is an example of a simple circuit, showing a single door normally locked. DynaLock offers keypad control, exit bars, timers, and much more to suit your needs.



CIRCUIT BOARD (Shown with all options)



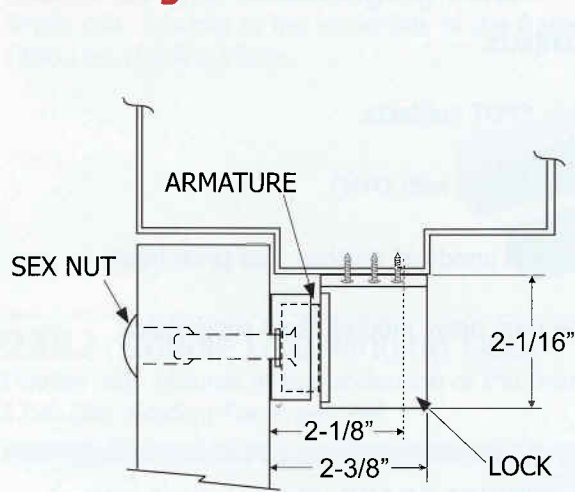
BI-COLOR LED



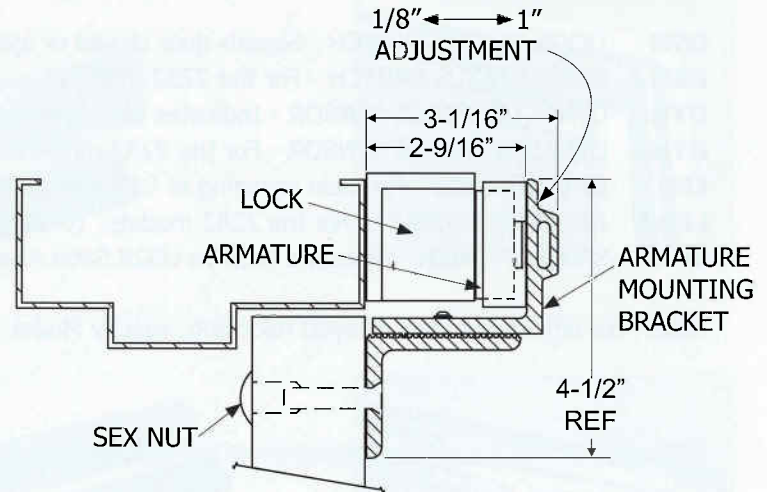
LED NOTE: Factory set for 24VDC.
Remove outer resistor for 12VDC operation.

2280 Series Electromagnetic Lock

Mounting



2280 SIDE VIEW



2280TJ SIDE VIEW